



Installation and Maintenance Manual

CTC EcoPart i600M

Modulating ground source heat pump

Modell i608M / i612M / i616M

400V 3N~



Important!

- Read carefully before use, keep for future reference.
- Translation of the original instructions.

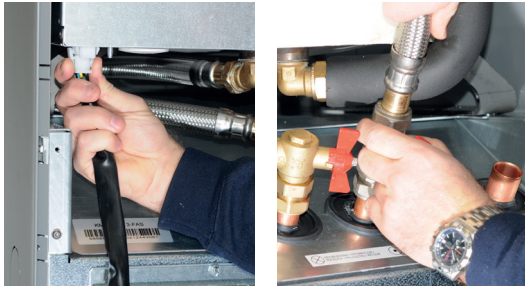
Table of contents

| | | | |
|---|-----------|--|------------|
| 1. Important to remember! | 5 | 16. Detailed menu descriptions | 57 |
| 1.1 Transportation | 5 | 16.1 Start menu..... | 57 |
| 1.2 Positioning..... | 5 | 16.2 Installation wizard..... | 58 |
| 1.3 Recycling..... | 5 | 16.3 Heating/Cooling..... | 59 |
| 1.4 After commissioning..... | 5 | 16.4 DHW..... | 63 |
| 2. Safety instructions | 6 | 16.5 Ventilation..... | 64 |
| 3. Your home's heating installation | 7 | 16.6 Weekly program..... | 65 |
| 4. Checklist | 11 | 16.7 Operation data | 67 |
| 5. Technical data | 12 | 16.8 Display..... | 80 |
| 5.1 Component location cooling module..... | 14 | 16.9 Settings..... | 82 |
| 6. Design | 15 | 16.10 Define..... | 109 |
| 6.1 Measurements..... | 16 | 16.11 Service..... | 126 |
| 6.2 Refrigerant system | 17 | 17. Parameter list | 132 |
| 6.3 Delivery includes..... | 17 | 18. Operation and Maintenance | 134 |
| 7. Pipe installation | 18 | 19. Troubleshooting/Appropriate measures | 135 |
| 7.1 Detaching the front..... | 18 | 19.1 Information messages..... | 137 |
| 7.2 Pipe connections, heating medium side | 18 | 19.2 Alarm messages..... | 138 |
| 8. Connecting the brine system | 22 | 19.3 Critical alarms - Risk of freezing..... | 140 |
| 8.1 Connections | 22 | 20. Pipe installation | 142 |
| 8.2 Brine system schematic diagram | 25 | 20.1 System Type 1*..... | 142 |
| 9. Electrical installation | 29 | 20.2 System Types 2 and 3* | 147 |
| 9.1 Electrical installation 400V 3N~..... | 29 | 20.3 System Types 4 and 5* | 154 |
| 10. Communication | 30 | 20.4 System Type 6*..... | 162 |
| 10.1 Define and address heat pumps in the case of series connection..... | 31 | 21. Valves | 169 |
| 11. Wiring diagram | 33 | 21.1 Three-way mixing valve | 170 |
| 11.1 Cooling module..... | 33 | 21.2 3-way valves | 171 |
| 11.2 Connection table for electrical components, cooling module..... | 34 | 21.3 Bivalent mixing valve..... | 172 |
| 11.3 Wiring diagram Relay card /1 | 35 | 22. Electrical installation terminal blocks | 173 |
| 11.4 Wiring diagram Relay card /2..... | 36 | 22.1 High voltage..... | 173 |
| 11.5 Wiring diagram Extension card /3..... | 37 | 22.2 Communication between CTC EcoPart i600M and EcoAir / EcoPart..... | 173 |
| 11.6 Wiring diagram Relay card /4..... | 38 | 22.3 Protection - low voltage (sensor)..... | 180 |
| 11.7 Connection table for electrical components, relay card and terminal board..... | 39 | 22.4 Install Ethernet cable | 184 |
| 11.8 Resistances for sensors..... | 42 | 22.5 Remote - Screen Mirroring | 185 |
| 12. First start | 43 | 22.6 myUplink - App | 185 |
| 13. Operation and Maintenance | 44 | | |
| 13.1 Periodic maintenance | 44 | | |
| 14. Troubleshooting/Appropriate measures | 44 | | |
| 14.1 Air problems..... | 44 | | |
| 14.2 Alarm | 44 | | |
| 15. System | 45 | | |
| 15.1 Heating circuit | 45 | | |
| 15.2 DHW..... | 48 | | |
| 15.3 Additional heat | 48 | | |
| 15.4 Solar panels* | 49 | | |
| 15.5 Recharging bedrock/ground*..... | 50 | | |
| 15.6 Cooling*..... | 51 | | |
| 15.7 Pool*..... | 51 | | |
| 15.8 Active cooling* | 52 | | |

Removing the cooling module



- Any work on the product's cooling system should be carried out by authorised personnel only.
- Close the safety switch before doing any work on the product.



1. Disconnect the cooling module's power cable connector and hoses.



2. Attach the two carrying handles to the bottom edge of the cooling module.



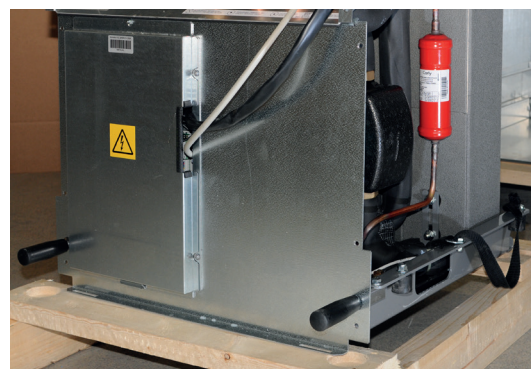
3. Remove the cooling module fixing screws.



4. To pull out the cooling module, first lift the module slightly upwards using the carrying handles.



5. Lift the cooling module using the carrying handles and shoulder straps.



6. Lift the cooling module into the product using the carrying handles and shoulder straps. Remove the carrying handles and reconnect the power cable, hoses and screws.

Congratulations on your new product!



The complete heat pump for rock, ground or lake

The CTC EcoPart i600M is a modulating heat pump which takes heat from bedrock, ground or watercourses, and delivers it to the house's existing heating circuit.

The CTC EcoPart i600M has a built-in, energy-efficient (A rated) circulation pump for connection to the ground/bedrock circuit, i.e. the cold side. This can be connected to either the left, right or back of the heat pump, whichever suits you best.

The CTC EcoPart i600M has a control system that:

- monitors all heat pump functions.
- allows for individual settings.
- Displays desired values, such as temperatures, operation times, energy consumption and fault signals
- facilitates the setting of values and troubleshooting in a simple and well-structured way.

Easily accessible electrical components and cooling modules, along with effective troubleshooting functions in the control program, make the CTC EcoPart i600M easy to service.

To make installation easier, especially when replacing an existing heat pump, the product is equipped with a 3-way valve and double primary flow pipes for heating and hot water respectively.

The CTC EcoPart i600M is available in three versions: CTC EcoPart i608M, CTC EcoPart i612M and CTC EcoPart i616M.

If the CTC Expansion accessory has been installed, additional functions can be defined. These functions are marked with an (*) in this Installation and Maintenance Manual.



NB: This installation manual contains information about technical data, operation, installation, etc. Local regulations or country-specific regulations must be taken into account.

1. Important to remember!

Check the following points in particular at the time of delivery and installation:

1.1 Transportation

- Transport the heat pump to the installation location before removing the packaging. Move the product using one of the following means:
 - Forklift
 - Lifting band around the pallet. NB: Can only be used with the packaging on.
- The heat pump must be transported and stored upright.

1.2 Positioning

- Remove the packaging and check before installation that the product has not been damaged in transit. Report any transport damage to the carrier.
- Place the product on a solid foundation, preferably concrete. If the heat pump needs to be placed on a soft carpet, base plates must be placed under the adjustable feet.
- Remember to leave an access and service area of at least 1 metre in front of the heat pump.
- The heat pump must not be placed below floor level.

When contacting CTC, always mention the following:

- Serial number
- Model/Size
- Fault message shown in the display
- Phone number

1.3 Recycling

- The packaging must be deposited at a recycling station or with the installation engineer for correct waste management.
- Obsolete products must be disposed of correctly and transported to a waste station or distributor/retailer offering this service. Do not discard the product with household waste. It is imperative that the product's refrigerant, compressor oil and electric/electronic components are disposed of correctly.

1.4 After commissioning

- The installation engineer advises the property owner on the design and servicing of the system.
- The installation engineer fills in a checklist and contact information – the customer and installation engineer sign the list, which the customer keeps.
- Register the product for warranty and insurance via the website <https://www.ctc-heating.com/customer-service#warranty-registration>



Information in this type of box [i] is intended to help ensure that the product functions optimally.



Information in this type of box [!] is particularly important for correctly installing and using the product.

For your own reference

Fill in the information below. It may come in useful if anything should happen.

| | |
|-----------------------|----------------|
| Product: | Serial number: |
| Installer: | Name: |
| Date: | Tel. no.: |
| Electrical installer: | Name: |
| Date: | Tel. no.: |

No liability is accepted for any misprints. We reserve the right to make design changes.

2. Safety instructions



Turn off the power with an omnipolar switch before doing any work on the product.



The product must be connected to protective earth.



The product is classified as IPX1. The product must not be rinsed with water.



When handling the product with a hoist ring or similar device, make sure that the lifting equipment, eyebolts and other parts are not damaged. Never stand under the hoisted product.



Never jeopardise safety by removing bolted covers, hoods or similar.



Any work on the product's cooling system should be carried out by authorised personnel only.



Installation and connection in the product must be carried out by a authorised electrician. All piping must be installed according to the applicable requirements.

Service of the product's electrical system must only be carried out by a qualified electrician in compliance with the specific requirements of the national standard for electrical safety.

Replacement of damaged supply cable, must be carried out by the manufacturer or qualified service engineer to avoid risk.



Safety valve check:
-Safety valve for boiler/system to be checked regularly.



The product must not be started if it is not filled with water; instructions are in the "Pipe installation" section.



WARNING: Do not switch on the product if there is a possibility that the water in the heater is frozen.



This device can be used by children from the age of eight years and above and by people with reduced physical, sensory or mental ability or lack of experience or knowledge if they have been taught, either with supervision or with the instructions provided, how to use the device safely and understand the risks involved. Children should not play with the device. Cleaning and maintenance should not be carried out by children without supervision.



If these instructions are not followed when installing, operating and maintaining the system, Enertech's commitment under the applicable warranty terms is not binding.

3. Your home's heating installation

The House Heating Curve

The heating curve is the central part of the product's control system. It is the heating curve which determines the compensated flow temperature requirements for your property dependent upon the outdoor temperatures. It is important that the heating curve is correctly adjusted, so that you achieve the best operation and economy possible.

One property requires a radiator temperature of 30 °C when the outdoor temperature is 0 °C, whilst a different property requires 40 °C. The difference between different properties is determined by the radiator surface area, the number of radiators and how well insulated the house is.

Adjusting the heating curve

In the "Heating curve" menu under "Settings/Heating circuit", you can fine adjust the values of the heating curve for the primary flow temperature in relation to the outdoor temperature in the graph, as well as set the values for curve inclination and curve adjustment for the heating circuit.

See section "Heating curve" in chapter "Settings/ Heating circuit" for detailed information.

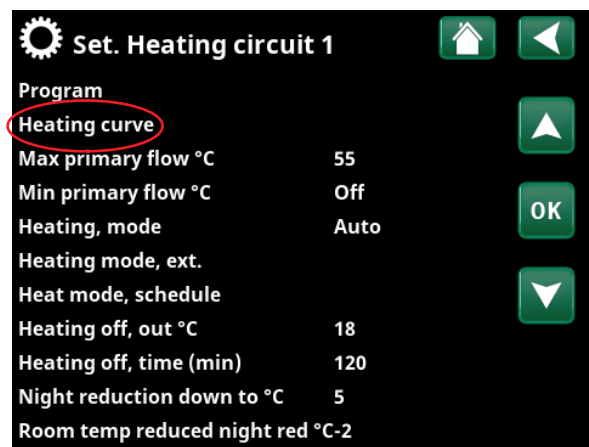
Ask your installer to help you set these values.

It is extremely important to set the heating curve and, in some cases, unfortunately, this process may take several weeks. The best way of doing this, upon the initial start-up, is to select operation without any room sensor. The system then operates using the outdoor temperature reading and the property's heating curve only.

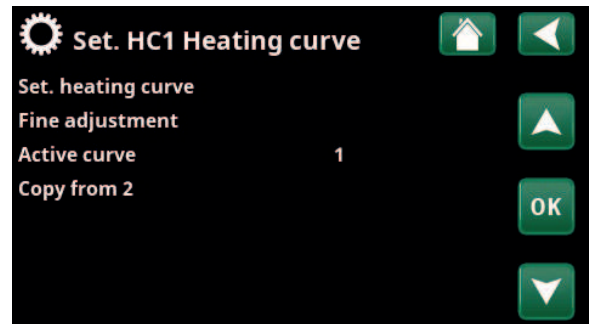
During the adjustment period it is important that:

- the night reduction function is not selected.
- all thermostat valves on the radiators be fully opened. (This is to find the lowest curve for the most economical use of the heat pump).
- the outdoor temperature is not higher than +5 °C.
- the radiator system is operational and correctly adjusted between different circuits.

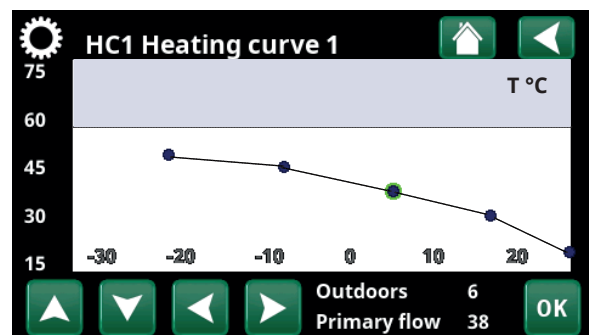
i For more information on how to set the heating curve, see section "Heating curve" in chapter "Settings / Heating circuit".



Part of the "Installer/Settings/Heating Circuit/Heating Circuit 1" menu.



Menu: "Installer / Settings / Heating Circuit / Heating Circuit 1/Heating curve". Active curve: #1.



Menu: "Installer / Settings / Heating Circuit / Heating Circuit 1/Heating curve/Fine adjustment".

Appropriate Default Values

During installation you can seldom achieve a precise setting for the heating curve instantly. In this case, the values given below may provide a good starting point. Radiators with small heat-emission surfaces require a higher primary flow temperature. You can adjust the gradient (heating curve gradient) for your heating system under the "Installer/Settings/Radiator system" menu. Recommended values are:

| | |
|---|----------------|
| Floor heating only: | Inclination 35 |
| Low temperature system: (well insulated houses) | Inclination 40 |
| Normal temperature system: (factory setting) | Inclination 50 |
| High temperature system: (older houses, small radiators, poorly insulated) | Inclination 60 |

Adjusting the heating curve

The method described below can be used to adjust the heating curve correctly.

Adjustment if it is too cold indoors:

- If the outdoor temperature is **lower** than 0 degrees:
Increase the Inclination value by a couple of degrees.
Wait 24 hours to see if any further adjustment is required.
- If the outdoor temperature is **higher** than 0 degrees:
Increase the Adjustment value by a couple of degrees. Wait 24 hours to see if any further adjustment is required.

Adjustment if it is too warm indoors:

- If the outdoor temperature is **lower** than 0 degrees:
Decrease the Inclination value by a couple of degrees.
Wait 24 hours to see if any further adjustment is required.
- If the outdoor temperature is **higher** than 0 degrees:
Decrease the Adjustment value by a couple of degrees.
Wait 24 hours to see if any further adjustment is required.



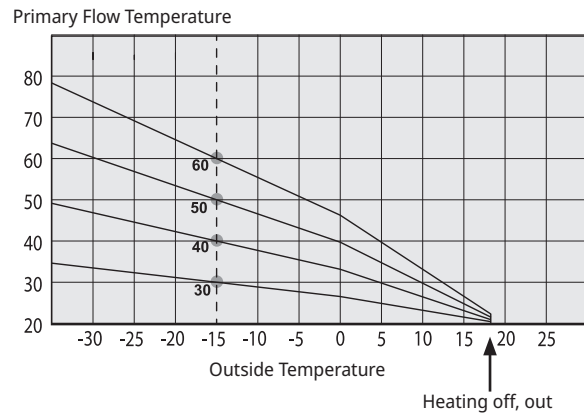
The set heating curve always takes priority. The room sensor can only increase or decrease the heat beyond the set heating curve to a certain extent. Where operating without a room sensor, the selected heating curve determines the flow temperature supplied to the radiators.

Examples of Heating Curves

You can see in the diagram below how the heating curve changes with different Inclination settings. The gradient of the curve shows the temperatures that the radiators require at different outdoor temperatures.

Curve Inclination

The inclination value which is set is the primary flow temperature when the outside temperature is -15°C .

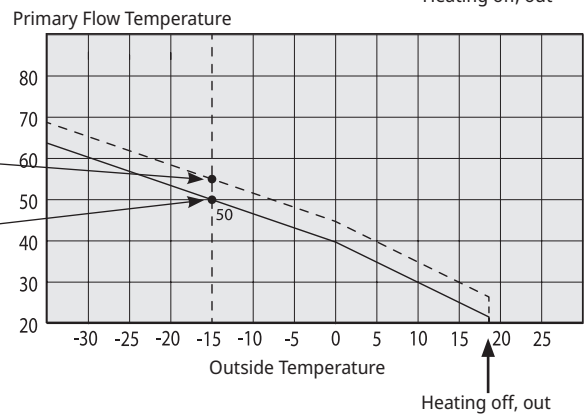


Adjustment

The curve can be parallel displaced (adjusted) by the desired number of degrees to adapt to different systems/houses.

Inclination 50°C
Adjustment $+5^{\circ}\text{C}$

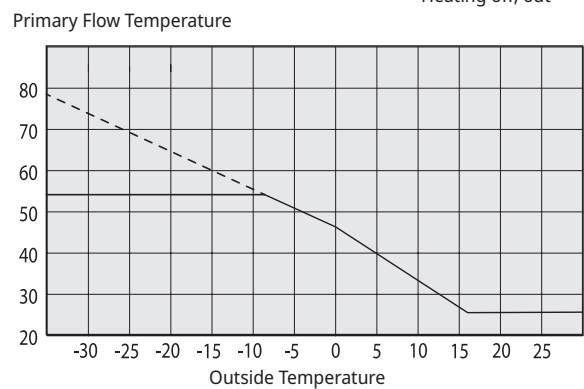
Inclination 50°C
Adjustment 0°C



An example

Inclination 60°C
Adjustment 0°C

In this example, the maximum outgoing primary flow temperature is set at 55°C . The minimum permitted primary flow temperature is 27°C (e.g. summer-time basement heating or the floor circuits in a bathroom).



If the values set are too low, this may mean that the desired room temperature is not being reached. You then need to adjust the heating curve, as necessary, following the method shown above.

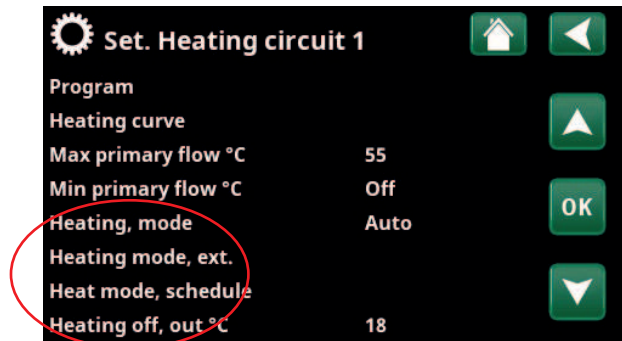
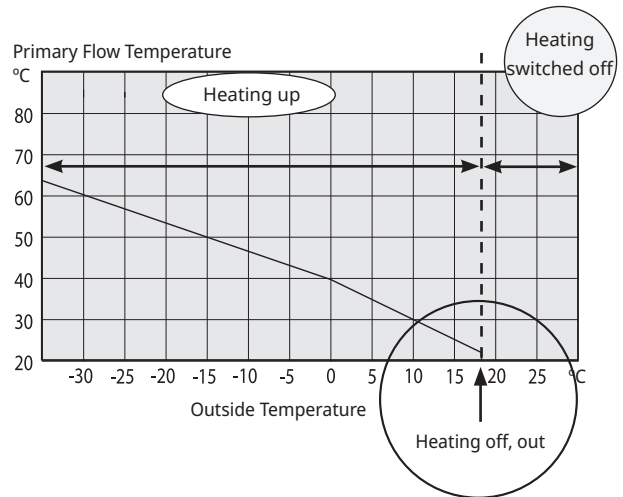
Summer season

All properties have internal heat gains (lamps, oven, body heat, etc.), which means that the heating can be switched off when the outdoor temperature is lower than the desired room temperature. The better insulated the house is, the earlier the heating from the heat pump can be switched off.

The example shows the product set at the default value of 18°C. This value, "**Heating off, outside**", can be changed in the "Installer/Settings/Heat circuit" menu.

In systems with a radiator pump, the radiator pump stops when the heat is switched off. The heating starts up automatically when it is required again.

See chapter "Settings/Heating circuit" for information on setting the heating mode.



Part of the "Installer/Settings/Heating Circuit/Heating Circuit 1" menu.

4. Checklist

The checklist must always be completed by the installation engineer

- If service is needed, you may be required to provide this document.
- Installation must always be carried out according to the installation and maintenance instructions.
- Installation must always be carried out in a professional manner.

Following installation, the unit must be inspected and functional checks performed as indicated below:

Pipe installation

- Heat pump filled, positioned and adjusted in the correct manner according to the instructions.
- The heat pump is positioned so that it can be serviced.
- Capacity of the charge/radiator pump (depending on type of system) for the flow required.
- Open radiator valves (depending on type of system) and other relevant valves.
- Tightness test.
- Bleed the system.
- Check proper operation of the requisite safety valves.
- Requisite waste pipes connected to the floor drain (depending on type of system).

Electrical installation

- Power switch.
- Correct tight wiring.
- Requisite sensors fitted.
- Accessories.

Customer information (adapted to the relevant installation)

- Start-up with customer/installer.
- Menus/controls for selected system.
- Installation and maintenance manual supplied to the customer.
- Check and filling, heating circuit.
- Information on fine adjustments.
- Alarm information.
- Functional test of safety valves fitted.
- Review warranty terms and conditions with the customer.
- Register your Installation certificate at ctc-heating.com.
- Information on fault reporting procedures.

Date/Customer

Date/Installer

5. Technical data

| Electrical data | | EP i608M | EP i612M | EP i616M |
|--|----|-----------------------------|---------------------------|-------------------------|
| CTC nr. | | 588601001 | 588601002 | 588601003 |
| Rated electrical data | | 400V, 3N~, 50Hz | | |
| Rated power cooling module | kW | 3.1 | 5.34 | 7.0 |
| Rated power input | kW | 10.5 | 15.7 | 17.1 |
| Rated current cooling module | A | 4.82 | 8.9 | 11.7 |
| Rated current | A | 15.2 | 22.7 | 24.7 |
| Max immersion heater output @ fuse size 10 / 13 / 16 / 20 / 25 A | kW | 2.1 / 2.1 / 5.8 / 5.8 / 5.8 | 0.3 / 0.9 / 2.1 / 7.2 / 9 | - / 0.3 / 0.9 / 2.1 / 9 |
| Group fuse | A | 16 | 25 | 25 |
| Total max load relay card* | A | 10 | | |
| Max load relay output | A | 4 | | |
| Max. start current | A | 2.3 | 2.3 | 1.8 |
| Output range immersion heater (min-max) | kW | 0.3-5.8 | 0.3-9.0 | 0.3-9.0 |
| Ingress Protection (IP) | | IP X1 | | |
| HP Keymark Certificate | | 012-C700085 | 012-C700087 | 012-C700088 |

***Note!** Observe the maximum group fuse size for the product.

| Operational data for heat pump | | EP i608M | EP i612M | EP i616M |
|--------------------------------|-------------------------------|--------------------|----------|-----------------------|
| Heating capacity ¹⁾ | @B0/W35 B5/W35 B10/W35 kW | 6.08 7.10 8.10 | | 10.52 12.26 13.95 |
| Power input ¹⁾ | @B0/W35 B5/W35 B10/W35 kW | 1.27 1.26 1.26 | | 2.34 2.42 2.56 |
| COP ¹⁾ | @B0/W35 B5/W35 B10/W35 - | 4.78 5.62 6.45 | | 4.50 5.07 5.46 |

¹⁾ EN14511:2018, nominal value.

| Heating system | | EP i608M | EP i612M | EP i616M |
|---|-----|---|----------|----------|
| Max. temperature (TS) | °C | 100 | | |
| Max. operating temperature condenser | °C | 65 | | |
| Flow qw min. B0/W35, Δt = 15K @max rps | l/s | 0.12 | 0.20 | 0.27 |
| Flow qw nominal B0/W35, Δt = 5K | l/s | 0.29 | 0.26 | 0.52 |
| Max ext available pressure head, nom flow | kPa | 47 | 52 | 58 |
| Pressure drop | | See diagram in chapter "Pipe installation". | | |

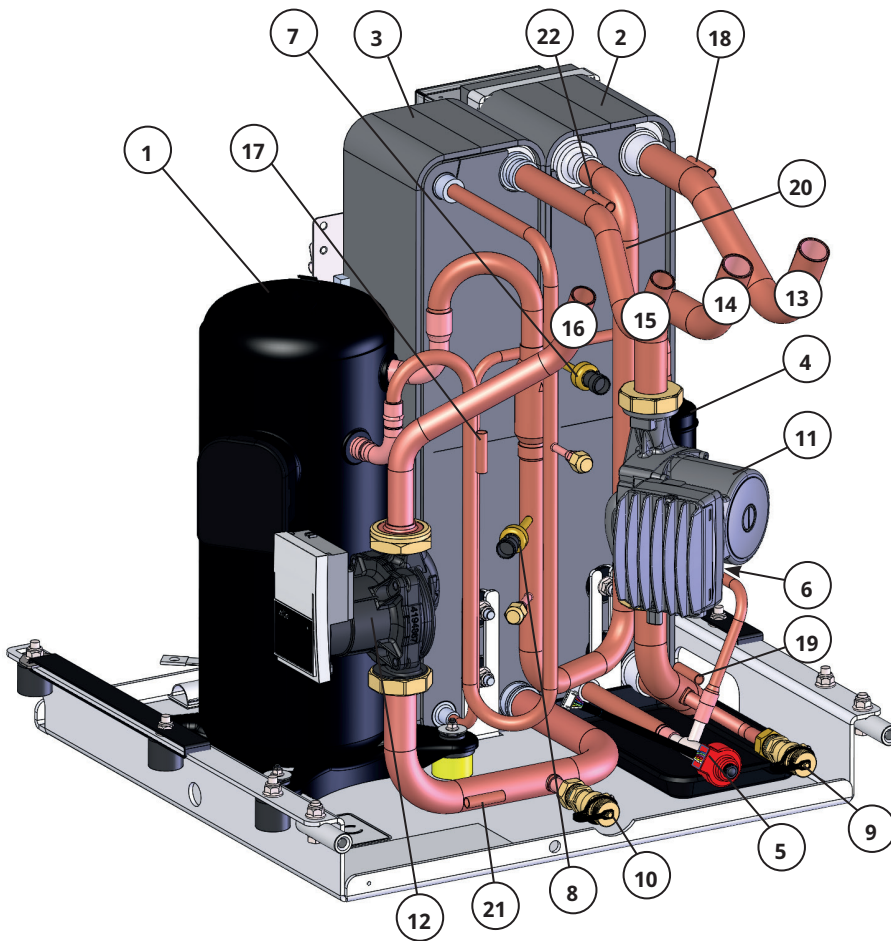
| Brine system | | EP i608M | EP i612M | EP i616M |
|--|-----|---|----------|----------|
| Water volume (V) | l | 4.1 | | |
| Brine system min/max temp (TS) | °C | -5 / +20 | | |
| Brine system min/max pressure (PS) | bar | 0.2/3.0 | | |
| Flow qc minimum B0/W35, $\Delta t = 6K$ | l/s | 0.205 | 0.27 | 0.42 |
| Flow qc nominal B0/W35, $\Delta t = 3K$ | l/s | 0.39 | 0.32 | 0.58 |
| Pump capacity | | See diagram in chapter "Pipe installation". | | |
| Ext available pump pressure nominal flow | kPa | 113 | 113 | 116 |

| Pipe connections | | EP i600M |
|---|----|----------|
| Brine circuit, ext. diam. Cu piping (flexible hose) | mm | 28 |
| Heating medium, ext. diam. Cu piping | mm | 28 |
| Hot water supply, ext. diam. | mm | 28 |
| Cold water supply, ext. diam. | mm | 28 |

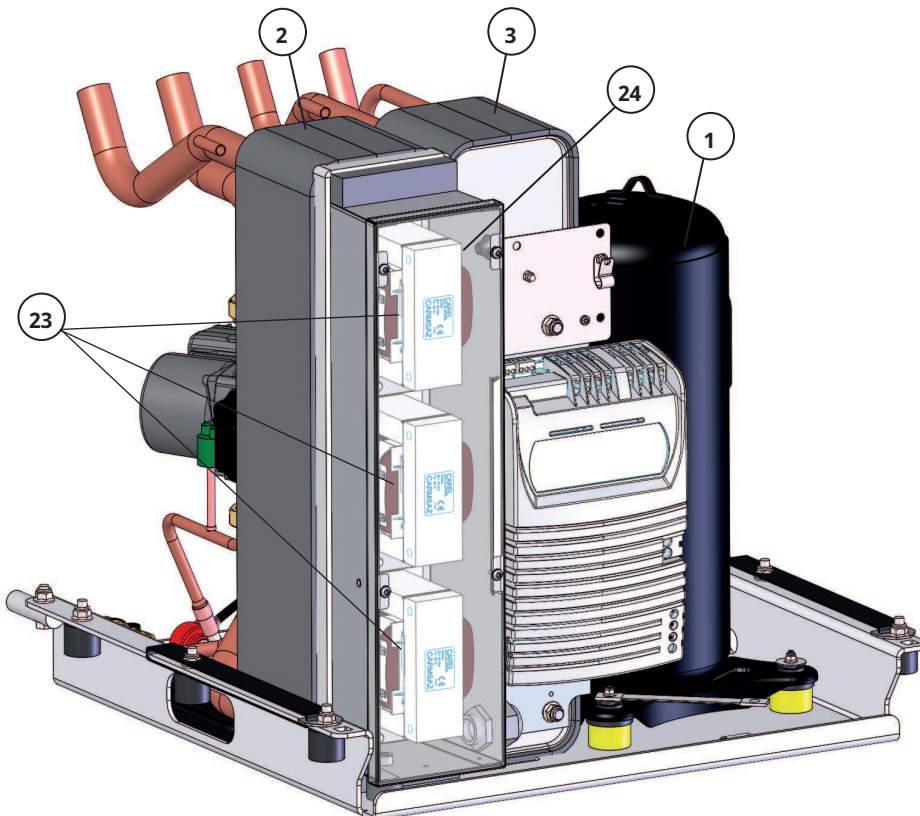
| Other data | | EP i608M | EP i612M | EP i616M |
|---|-------|------------------|-----------|-----------|
| Refrigerant quantity (R407C, fluorinated greenhouse gases GWP 1774) | kg | 2.4 | 2.4 | 2.2 |
| CO ₂ equivalent | ton | 4.258 | 4.258 | 3.903 |
| Interrupt value switch HT | MPa | 3.1 | | |
| Weight with / without packaging | kg | 230 / 207 | 230 / 207 | 233 / 210 |
| Dimensions (Depth x Width x Height) | mm | 673 x 596 x 1632 | | |
| Required ceiling height | mm | 1700 | | |
| Sound power (L_{WA}) acc. to EN 12102 @B0, W35/55 | dB(A) | 34 / 34 | 39 / 41 | 42 / 42 |
| Noise pressure (L_{PA}) 1m B0/W35 (EN ISO 11203) | dB(A) | 29 | 34 | 37 |

No annual leakage control of the refrigerant is required.

5.1 Component location cooling module

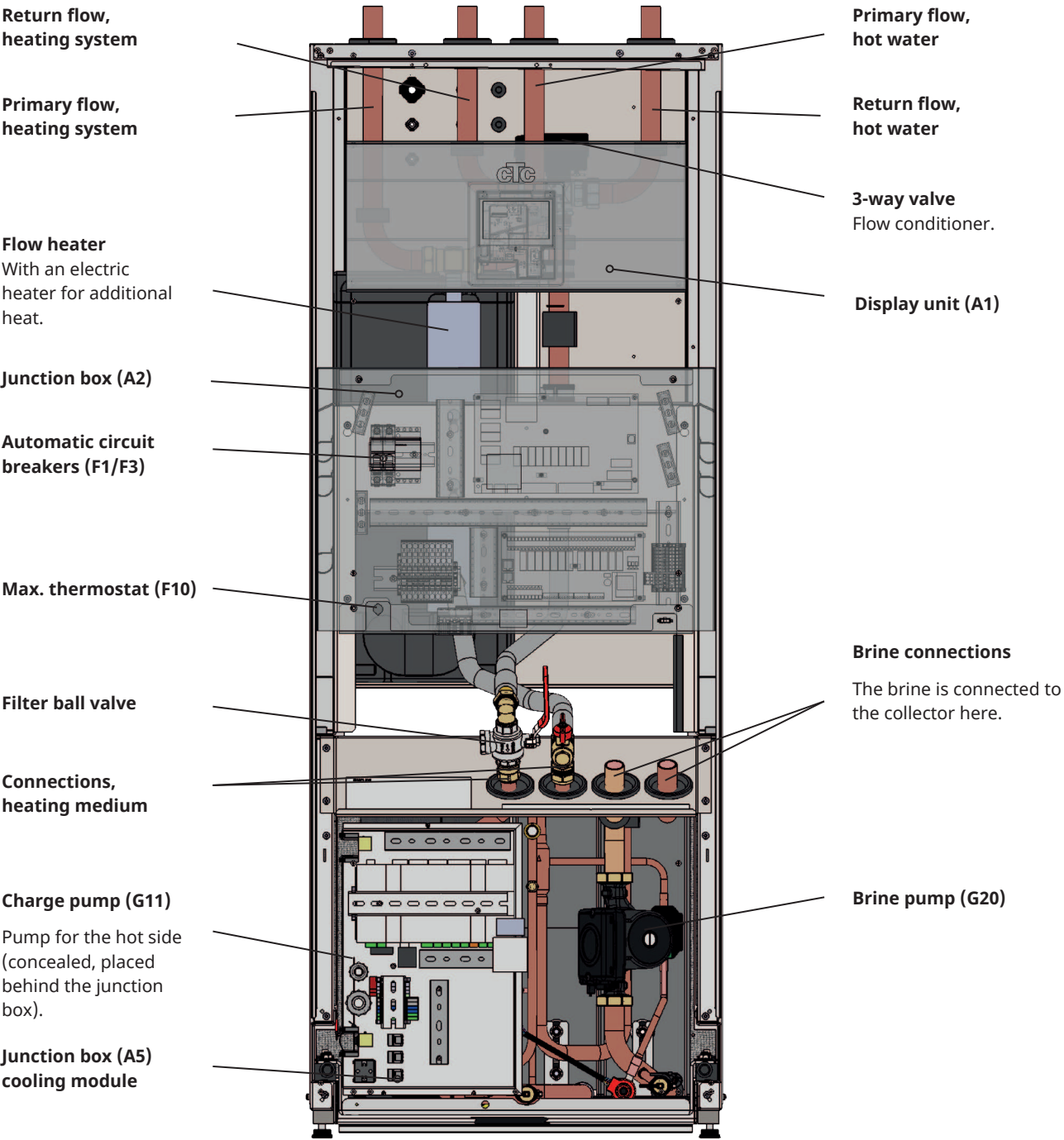


1. Compressor
2. Evaporator
3. Condenser
4. Drying filter
5. Expansion valve
6. High pressure switch
7. High pressure sensor
8. Low pressure sensor
9. Drain valve cold side/Brine
10. Drain valve warm side/Water
11. Brine pump
12. Charge pump
13. Brine in
Ø28 mm (from rock)
14. Brine out
Ø28 mm (to rock)
15. Heat carrier out
(flow line) Ø22
16. Heat carrier in
(return line) Ø22
17. Discharge sensor
18. Brine sensor in
19. Brine sensor out
20. Suction gas sensor
21. Sensor WP In
22. Sensor WP Out
23. AC-chokes (x3)
24. Sensor, AC choke temp

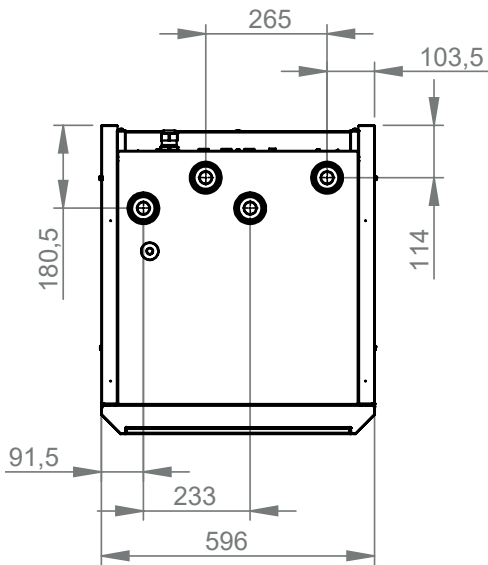
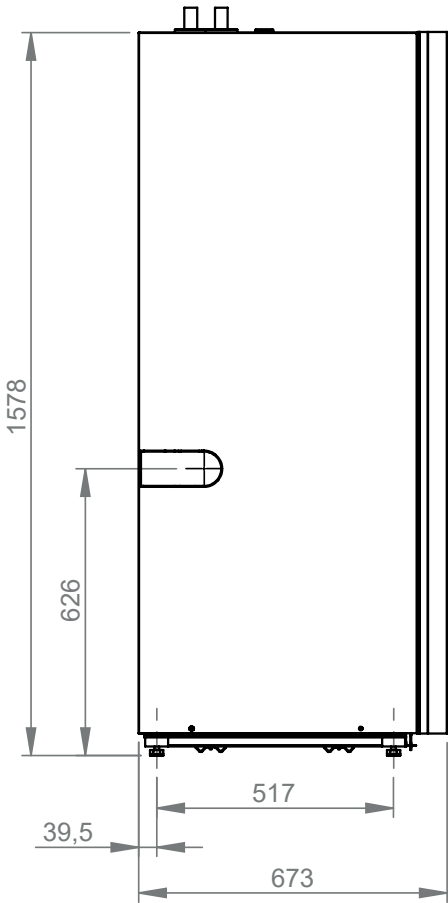
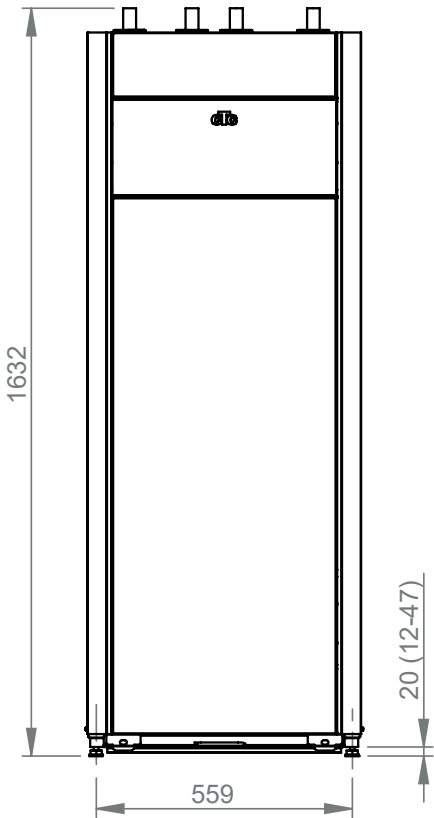


6. Design

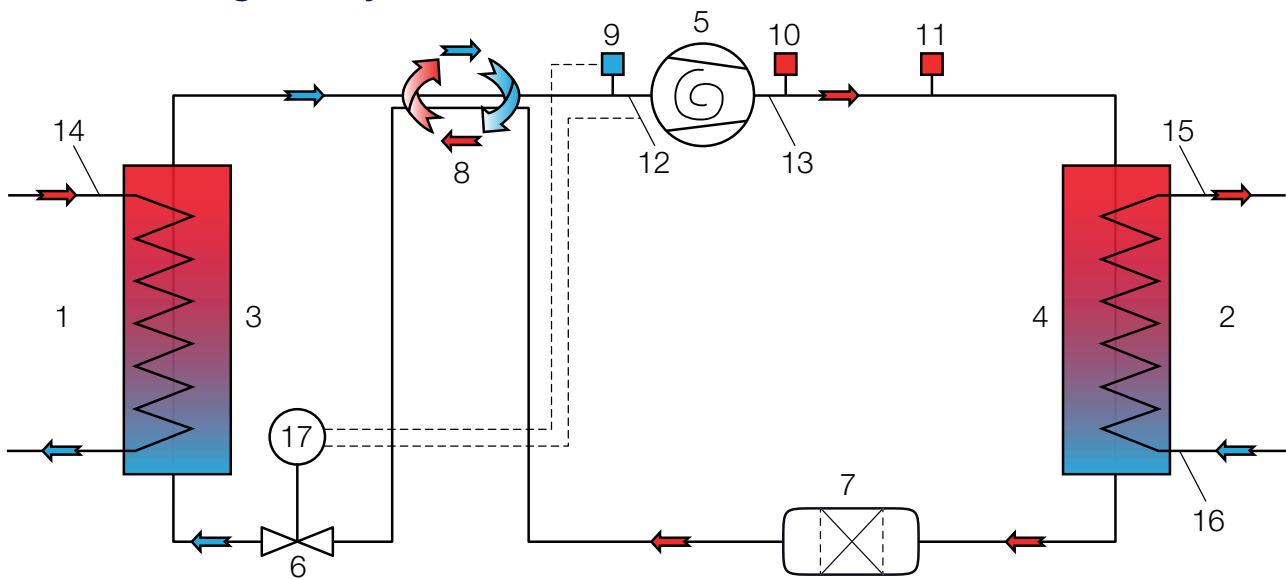
The picture below shows the fundamental construction of the heat pump.



6.1 Measurements



6.2 Refrigerant system



- | | | |
|---------------------------------|-------------------------------|-----------------------------|
| 1. Brine (heat source) | 7. Drying filter | 13. Temp hot gas |
| 2. Water | 8. Refrigerant heat exchanger | 14. Temp brine |
| 3. Evaporator | 9. Low pressure sensor | 15. Temp water out |
| 4. Condenser | 10. High pressure sensor | 16. Temp water in |
| 5. Compressor | 11. High pressure switch | 17. Control expansion valve |
| 6. Expansion valve (electronic) | 12. Temp suction gas | |

6.3 Delivery includes

- 2 x Angle connection 28x28
- Room sensor
- Outdoor sensor
- 3 x 22k sensor, 5 m
- Ethernet cable, 1 m
- RJ45 connection
- Ferrite 25 MHz 141 Ω
- Level vessel, brine**
- Safety valve 1/2" 3 bar, brine system
- 4 x support sleeves
- Filling kit, brine G25**
- Filling kit, brine G32*
- Edge moulding
- Manometer
- Manifold 921-20
- Safety valve 2.5 bar, ext., heating circuit
- 2 x Handles
- Pipe, brine, short
- Pipe, brine, long

* Applies to CTC EcoPart i616M

** Applies to CTC EcoPart i608M and CTC EcoPart i612M

7. Pipe installation

The installation must be carried out in accordance with the applicable standards. The product must be connected to an expansion vessel in an open or closed system. **Do not forget to flush the heating circuit clean before connecting.** Apply all the installation settings based on the description in the section entitled "First start".

7.1 Detaching the front

In order to adjust the pressure in the expansion vessel and check the pipe fittings before the first start, the front needs to be dismantled.

1. Remove magnetic strip.
2. Loosen the two screws securing the front to the top cover.
- 3., 4. Fold out and lift off the front. Set it to one side.

NOTE! Bear in mind that the cable to the display on the front is sensitive to damage.

7.2 Pipe connections, heating medium side

Route the pipes so that no other highest point is present where air can collect and obstruct circulation. If this cannot be done, however, provide this highest point with an automatic bleeder.

7.2.1 Filling valve, heating circuit

Fit a filling valve between the cold water connection and the heating circuit's return flow.

7.2.2 Non return valve

Fit the non-return valve to the incoming cold water connection.

7.2.3 Shut-off valves

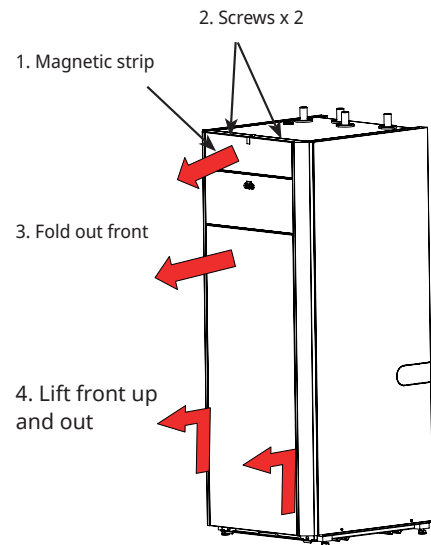
It is important to fit a shut-off valve to the primary flow.

7.2.4 Safety valve

The heat pump's safety valve (2.5 bar) for the heating circuit must be fitted in accordance with applicable regulations. Connect the waste pipe to the waste system directly to the floor drain or, if the distance is more than two metres, to a funnel. The waste pipe must slope towards the waste system, be installed frost-free and left open to the atmosphere/without pressure.

7.2.5 Manometer – system pressure

Fit a manometer to the expansion vessel or the heating circuit's return line.



! NB: It is important to fit shut-off valves to both the primary and return flows.

! NB: The waste pipe must be fitted to the waste system.

7.2.6 Connection of expansion vessel (accessory)

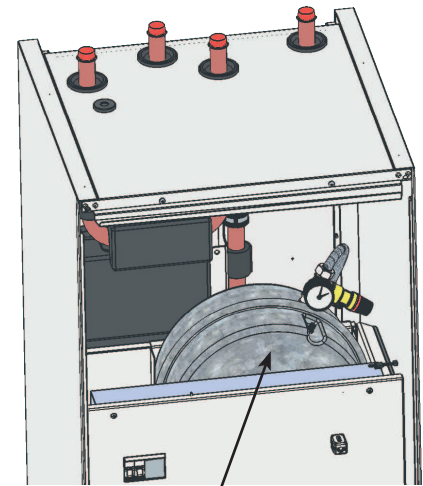
The heat pump is designed to be fitted to an 18 l closed expansion vessel.

Install the expansion vessel

1. Attach the supplied bracket to the rear panel on the inner stand. Push the bracket down so that it attaches to the stand.
2. Insert the expansion vessel into the bracket so that the vessel's connection is free to connect to the expansion hose. To connect the expansion hose to the product, the plug cone must be removed from the T-connection on the return line.
3. Place the mounting pad between the expansion vessel and the junction box.

If you are using an open system, the distance between the expansion vessel and the highest placed radiator must not be below 2.5 m in order to avoid introducing oxygen into the system.

If the heat pump is connected together with another heat source, e.g. an existing boiler, the installations must have separate expansion vessels.



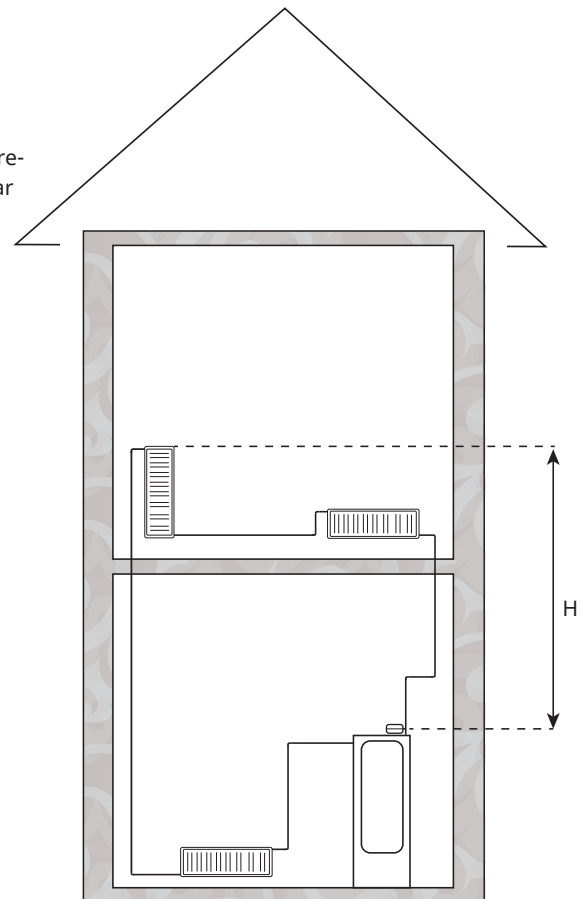
Expansion vessel with fitted manometer.

7.2.7 Expansion vessel pre-pressure

The pre-pressure in the expansion tank is calculated according to the height (H) between the highest-positioned radiator and the expansion tank. The pre-pressure must be checked/set before the system is filled with water. The system pressure must be set 0.3 bar higher than the pre-pressure in the expansion vessel. For example, a pre-pressure of 1.0 bar (10 mvp) means a maximum permitted height difference of 10 m.

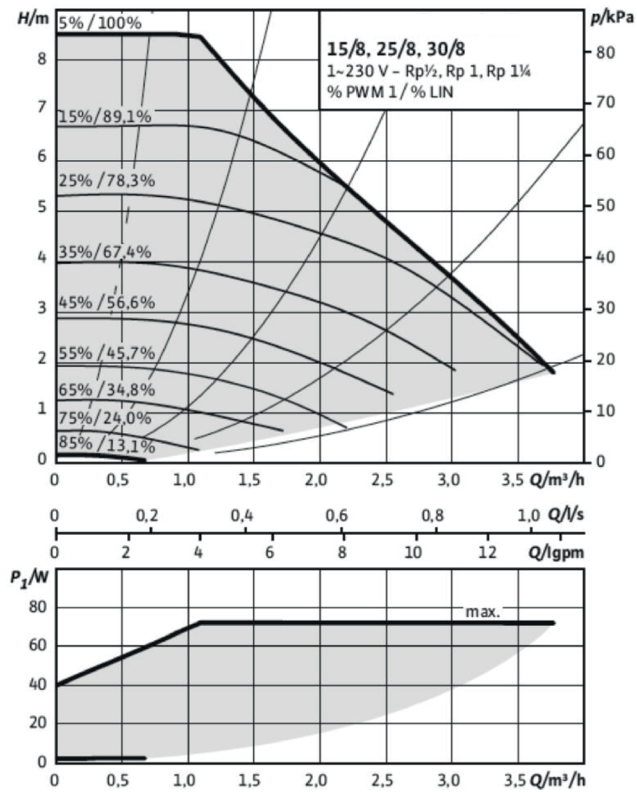
| Maximum height (H) (m) | Pre-pressure (bar) | System pressure (bar) | Maximum volume in the heating circuit (excl. product) (L) |
|------------------------|--------------------|-----------------------|---|
| 5 | 0.5 | 0.8 | 568 |
| 10 | 1.0 | 1.3 | 426 |
| 15 | 1.5 | 1.8 | 284 |

The table assumes the installation of the expansion vessel that is included in the accessory kit for the heat pump.

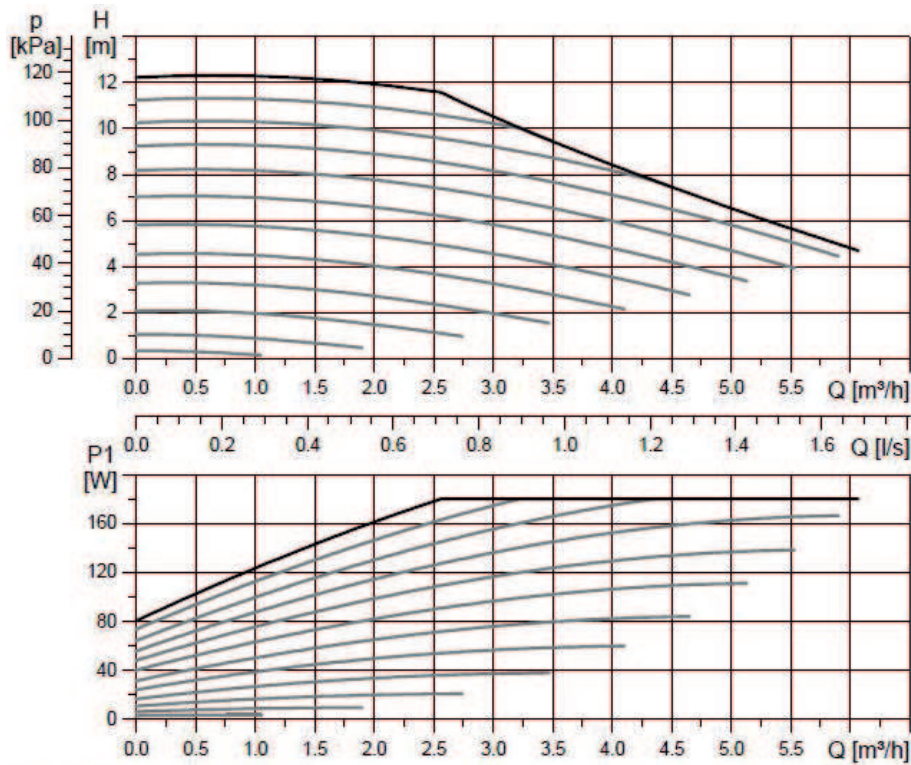


7.2.8 Diagram, circulation pumps (charge pumps) (G11)

CTC EcoPart i608/612M

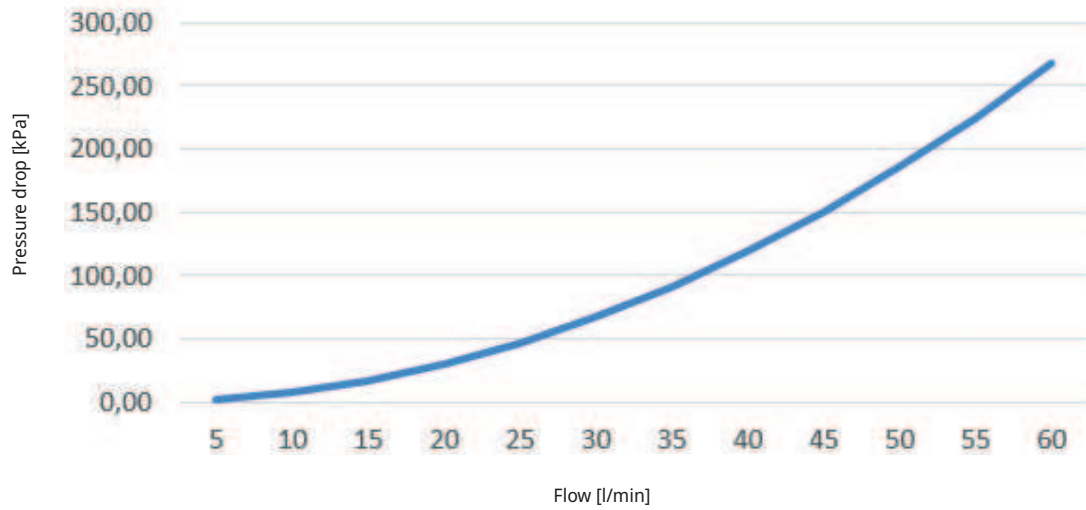


CTC EcoPart i616M

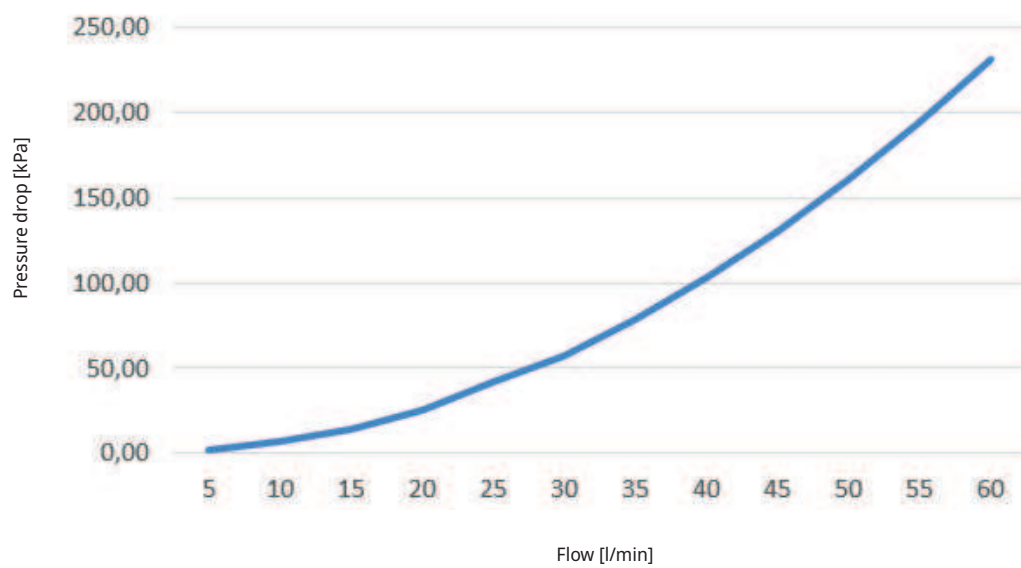


7.2.9 Tryckfallsdiagram - varma sidan

CTC EcoPart i608M / EcoPart i612M



CTC EcoPart i616M



8. Connecting the brine system

The brine system, i.e. the ground collector loop, must be assembled and connected by a qualified tradesman in accordance with current regulations and design guidelines.

Care must be taken to ensure that no dirt gets into the collector hoses, which must be flushed clean before being connected. The protective caps must remain in place at all times while work is in progress.

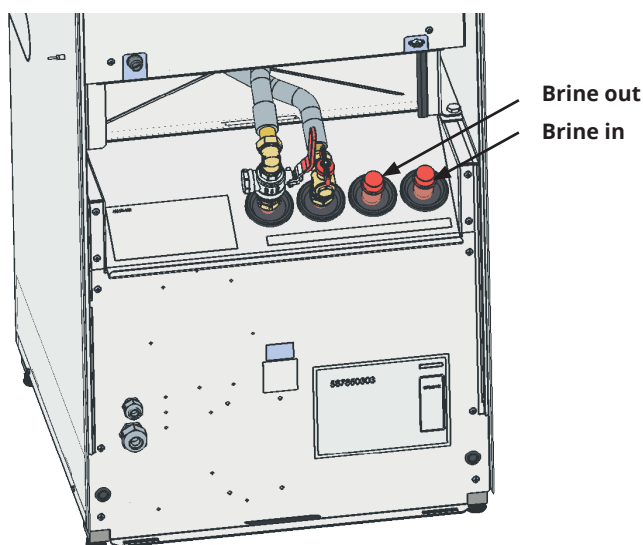
The temperature of the coolant system can fall below 0°C. It is therefore important that no water-based lubricants and similar are used during installation. It is also important that all the components are insulated against condensation to prevent the build-up of ice.

8.1 Connections

The brine system may be connected to the right, left or back of the heat pump. Cut away the cover plate on the side where the brine system is to be connected. Perform assembly as follows:

1. In order to protect the brine pipes, fasten the protective edging provided around the edge of the opening in the insulation plate. Adjust the length of the protective edging to suit the opening as required.
2. Attach the provided compression couplers to the cooling module connector pipes. To facilitate attachment, the upper brine pump connection may be loosened and rotated if necessary.
3. Pass the brine pipes through openings in the side panel/panel rear and connect them to the compression couplers. Ensure that the connections are well insulated to avoid the build-up of ice and condensation.
4. Then install the collector system according to the section "Brine system schematic diagram".

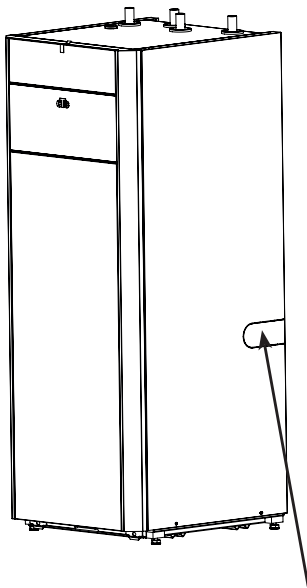
See the section entitled "Measurement details" for measurements and dimensions. The pipe between the heat pump and collector loop should have an internal diameter of no less than Ø28 mm.



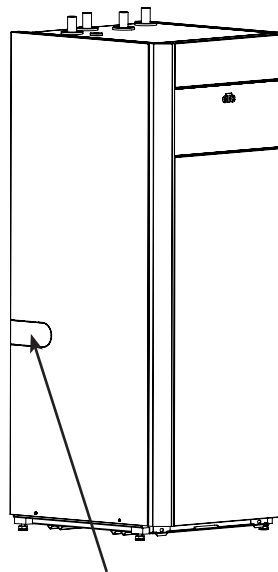
8.1.1 Connection options

Left-side or right-side installation

1. Open the front panel; see the "Pipe installation" chapter.
2. Push the "brine out" and "brine in" pipes in through the through-holes from the side.
3. Pull out the pipes from the front while pushing in the pipes from the side.
4. Fit the brine pipes to the cooling module.



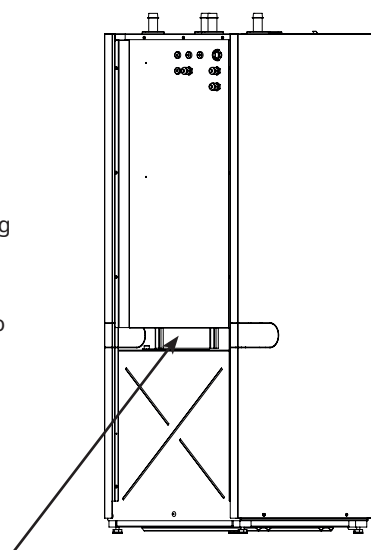
Connection, right-side



Connection, left-side

Rear installation (the pipes come from above)

1. Open the front panel; see the "Pipe installation" chapter.
2. Push the "brine out" and "brine in" pipes in through the through-holes on the rear.
3. Pull out the pipes from the front while pushing in the pipes from the rear.
4. Fit the brine pipes to the cooling module. The shorter pipe needs to be cut and connected to a pipe from the cooling module.



Connection, rear

8.1.2 Valves

Fit the valves as shown in the schematic diagram on the next page. To facilitate servicing of the cooling unit, shut-off valves must be fitted to both the incoming and outgoing connections. Fit bifurcated valves so that it is possible to fill and bleed the collector circuit later on.

8.1.3 Insulation against condensation

All pipes in the brine system must be insulated against condensation to prevent the possibility of severe build-up of ice and condensation.

8.1.4 Filling and venting

The collector coil should not contain any air, as even the smallest amount of air can jeopardise the heat pump's operation.

Mix water and antifreeze solution in an open vessel. Connect the hoses to the shut-off valves (98a and 98b) as shown in the figure. NB: The hoses must have a minimum diameter of 3/4". Connect a powerful external pump (100) for refilling and bleeding. Open the valves (98a and 98b) so that the brine passes through the mixing container (101). Also make sure that the valve (98d) is open.

If the heat pump is connected to the power supply, start the brine pump (102) as follows:

- Open the "Installer/Service/Function Test" menu.
- Select the "Test heat pump/HP brine pump" option and activate it. The brine pump runs until it is manually stopped.

Allow the brine to circulate in the system for a long period of time until it is completely free of air. There could still be air in the system, even though no air accompanies the liquid out.

Bleed the level vessel (96) by loosening the plug on the top of the level vessel.

Now close the valve (98a) while the filling pump continues to run. The filling pump (100) now pressurises the system. Also close the valve (98b) and shut off the filling pump.

If the level in the level vessel is too low, close the valves (98c) and (98d).

Unscrew the plug and fill the vessel to around 2/3 full. Screw the plug back in and open the valves (98c) and (98d).

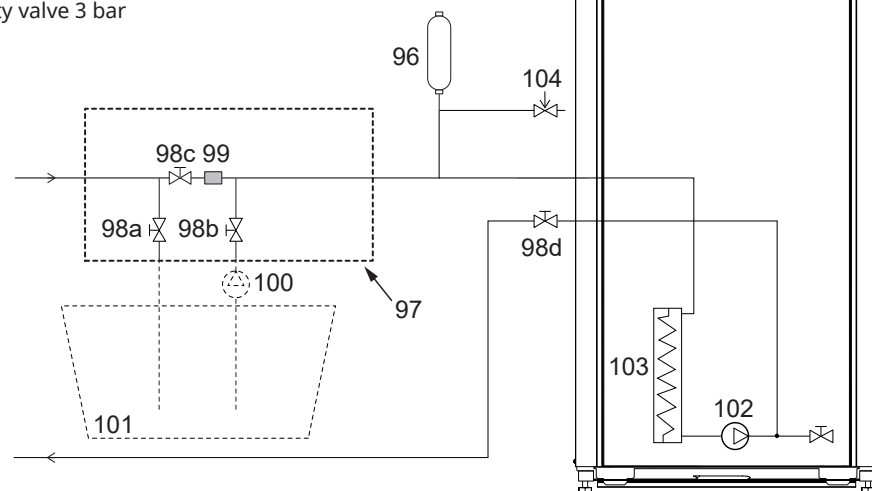
8.1.5 Pressure/level switch

In some cases, extra protection is required due to local requirements or provisions. For example, the requirement in some areas is for the system to be installed within a water catchment area. If there is a leak, the compressor and brine pump stop and the "Flow/level switch" alarm appears on the display. For connection, refer to the "Electrical Installation" chapter.

● Use the "Brine pump on 10 days" function to bleed the system properly.

8.2 Brine system schematic diagram

- 96 Level/expansion vessel
- 97 Filler manifold
- 98 Shut-off valves
- 99 Filter
- 100 External filling pump
- 101 Mixing vessel
- 102 Brine pump
- 103 Evaporator
- 104 Safety valve 3 bar



The diagram shows the main connection for the brine system. The filling equipment is represented by the parts displayed with dashes. NB: Collector hoses must have a bleeding facility as air pockets can occur. Always check the filter (99) when filling and bleeding the brine system.

8.2.1 Post-installation check on brine system

After a few days, you must check the fluid level in the vessel. Fill if necessary and close the valve (98c) when filling.

8.2.2 Level/expansion vessel (96)

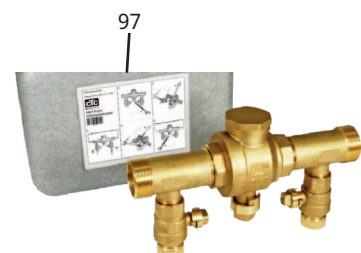
The level vessel should be fitted to the incoming line from the borehole or ground loop, at the system's highest point. Bear in mind that the tank can produce condensate on its exterior. Fit the safety valve (104) as shown in the schematic diagram and fit a suitable plug to the top of the vessel.

If the vessel cannot be fitted at the highest point, a closed expansion vessel can be fitted.

8.2.3 Filler manifold with dirt filter

A filler manifold for topping up, adding and filtering brine. Arrows on the valve housing indicate the flow direction. Close valves (98c) when cleaning the filter. Unscrew the filter cap and flush the filter clean. When refitting, the pin under the filter should be fed into the designated hole in the filter housing. Top up with a little brine, if necessary, before fitting the cap. The filter should be checked and cleaned after a short period of operation.

! The mixing vessel and pump must be of a good size.



8.2.4 Brine

The brine circulates in a closed system. The fluid consists of water and antifreeze solution. Sentinel R500 & R500C are recommended for use in the brine circuit. The glycol is mixed at a concentration of slightly less than 30%, which is equivalent to fire risk class 2b and a freezing point of around -15°C .

It is a CTC recommendation that around 1 litre of brine/glycol is required per metre of collector hose, i.e. around 0.3 litres of antifreeze solution will be needed per metre of hose, for an (external) hose diameter of 40 mm.


8.2.5 Air pockets


To avoid air pockets, make sure that the collector hoses constantly rise towards the heat pump. If this is not possible, it must be possible to bleed the system at the high points. The filling pump usually manages smaller local height discrepancies.


8.2.6 Checking brine difference

When the heat pump is running, regularly check that the temperature difference between incoming and outgoing brine temperatures is not too large. If there is a large difference, one of the causes may be due to air in the system or a blocked filter. If this is the case, the heat pump triggers the alarm.

The alarm factory setting is 7°C , but 9°C is permitted for the first 72 hours while the compressor is running, as microbubbles in the system can reduce brine flow.

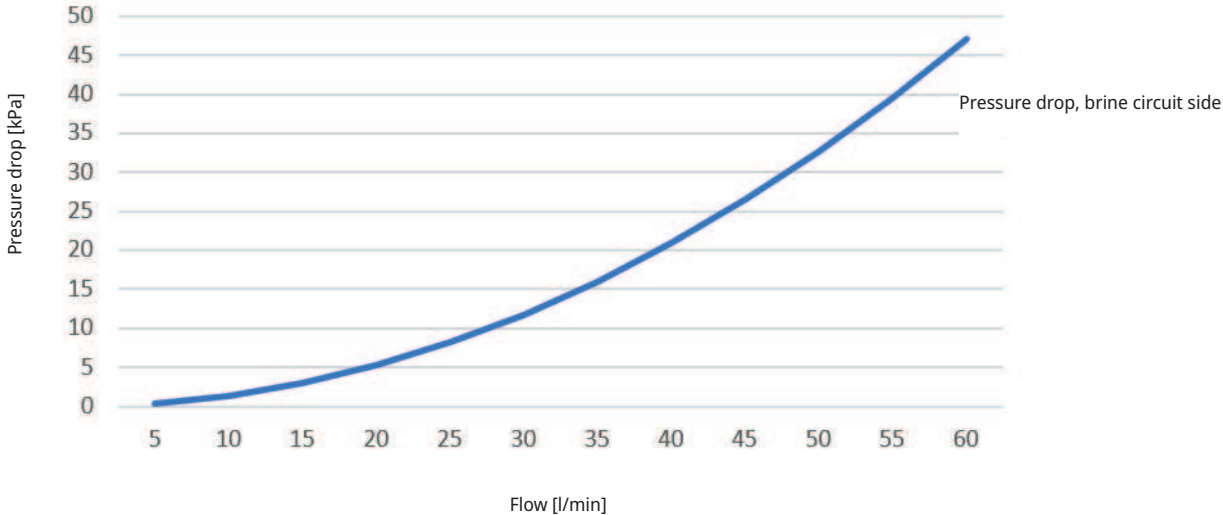
 Check the dirt filter after bleeding has been completed.

 The fluid must be thoroughly mixed before the heat pump is started.

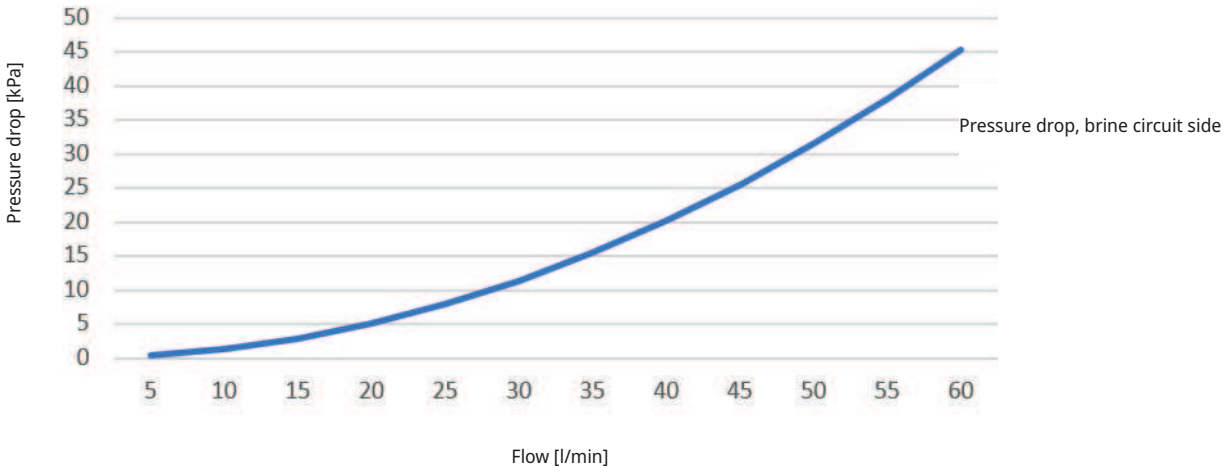
 Check the dirt filter in the brine system after a few days' operation.

8.2.7 Pressure differential diagram - cold side

CTC EcoPart i608M



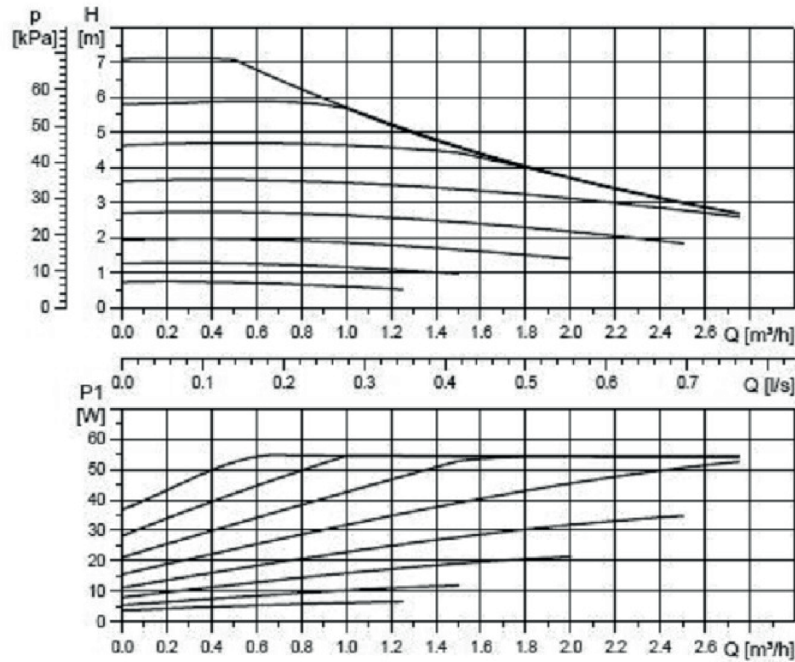
CTC EcoPart EcoPart i612M / i616M



8.2.8 Coolant pump (G20)

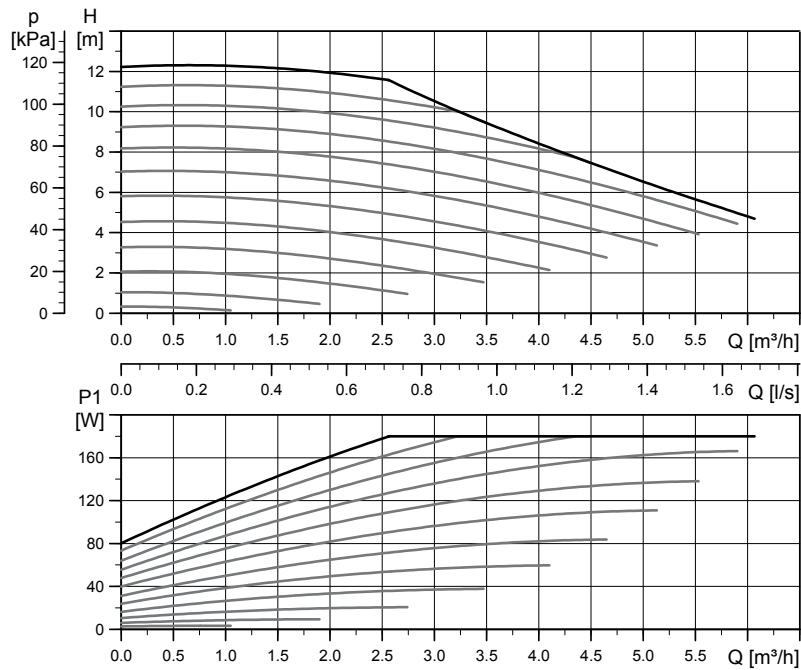
CTC EcoPart i608M

25-70 180 PWM, 1x230V, 50/60 Hz



CTC EcoPart i612M / EcoPart i616M

25-125 180 PWM, 1x230V, 50/60 Hz



9. Electrical installation



Installation and heat pump connection must be performed by an authorised electrician. All wiring must be installed according to applicable provisions. Before the front panel is opened or other live components are made accessible, the power supply to the heat pump must be fully disconnected.



The supply cable and all sensor cables need to have 0.5 m of cable left in the product to enable the replacement of the flow heaters.

9.1 Electrical installation 400V 3N~

The CTC EcoPart i600M must be connected to 400V 3N~ 50 Hz with protective earth.

The 2.5 metre long power supply cable is fully wired in the heat pump and is routed on the left rear. It is also possible to move cable clip and supply cable to the top cover. Then remove the rubber grommet that is there on delivery.

Make sure that 0.5 m of cable is left in the product for the possible replacement of flow heater. This also applies to sensor cables.

9.1.1 Omnipolar safety switch

The installation should be preceded by an omnipolar safety switch according to overvoltage category III, which ensures disconnection from all electric power sources.

The EcoPart i600M should be equipped with a faulty residual current device with delayed deactivation.

9.1.2 Max thermostat

If the product has been stored in an extremely cold place, the max. thermostat (F10) may have been triggered. Reset it by pressing the button on the electrical switchboard behind the front panel. Always check on installation that the max thermostat has not tripped.

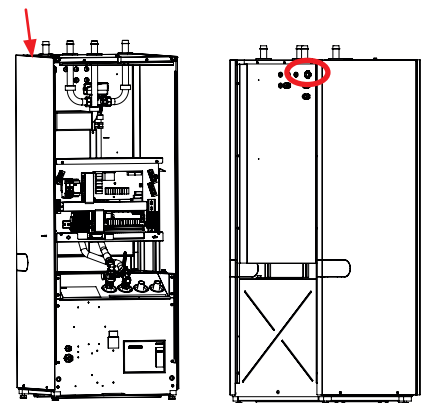
9.1.3 Alarm output

The CTC EcoPart i600M is fitted with a potential-free alarm output which is activated if any alarm is active in the heat pump. This output may be connected to a maximum load of 1 A 250 V AC. An external fuse should also be used. A cable approved for 230 V AC must be used for connecting this output, irrespective of the load that is connected. For connection, see the chapter entitled "Wiring diagram".

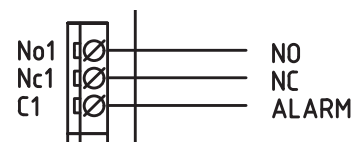
Accessory: Expansion card (A3)*

For certain system options, the product must be supplemented with an Expansion Card (A3) (CTC Expansion).

Supply cable (left rear)



Symbol for max thermostat.



Alarm output, detailed view from electrical diagram

*For installation of the CTC Expansion accessory, see installation instructions "CTC EcoPart i600M - Expansion card"

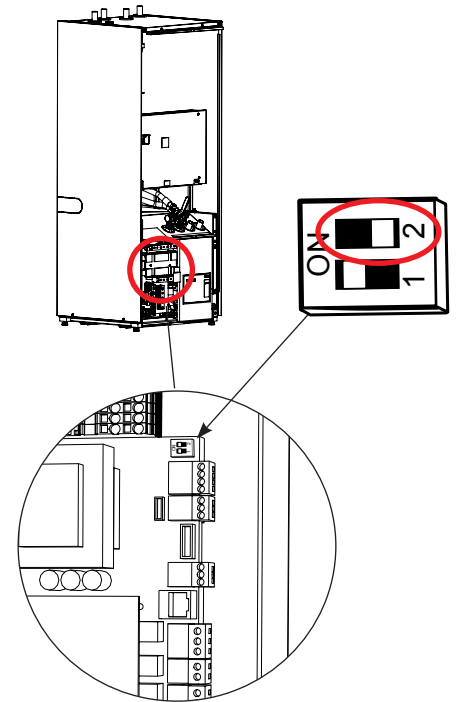
10. Communication

Series connection of heat pumps

When connecting several heat pumps, the heat pumps must be given the correct name. All heat pumps are factory-set addressed to HP1. The chapter "Defining and addressing heat pumps for series connection" shows how addressing of heat pumps (HP2-) from the controlling unit HP1 (CTC EcoPart i600M) is performed.

On delivery from the factory, DIP switch 2 is set to the ON position for all heat pumps. In the event of series connection of heat pumps, it is necessary to ensure that DIP switch 2 on the last heat pump in the series is set to the ON position (terminated position), while switch 2 in the other heat pumps must be set to the OFF position. The shielding in the communication cable must be connected to earth on the heat pump that is being terminated.

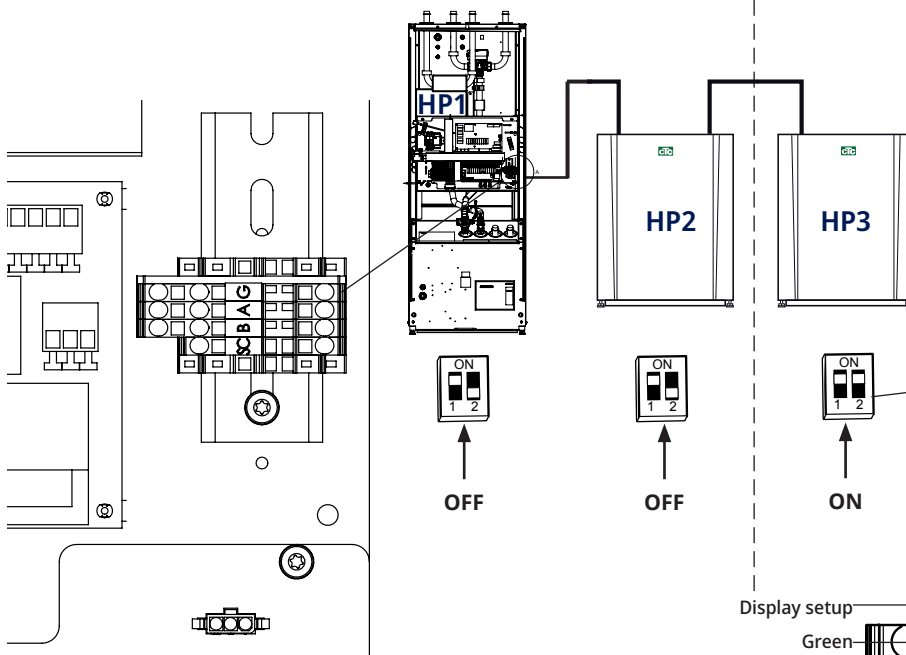
The loop which connects position Sc of the control terminal block and PE on the mains terminal block must be removed on all heat pumps in the series connection except the last and replaced by the shielding, which is then connected up to the next heat pump (control terminal block position Sc).



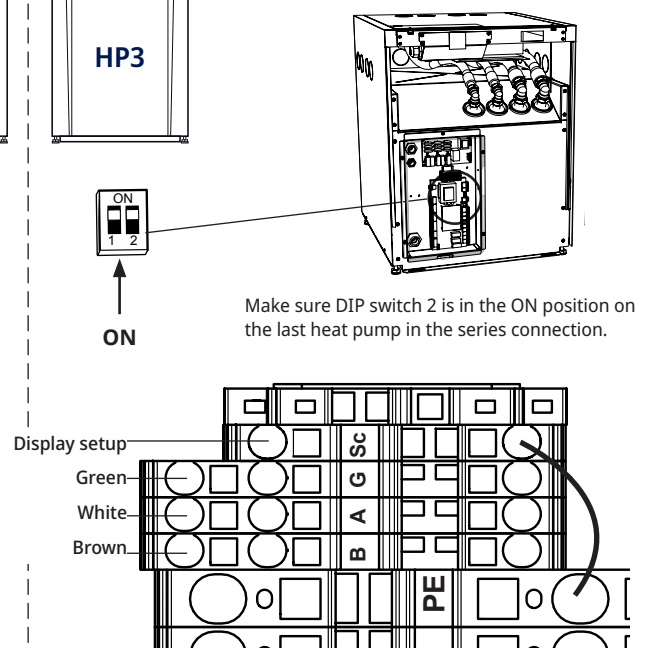
Setting DIP switch 2 (OFF), cooling module CTC EcoPart i600M, for series connection of heat pumps.

The last heat pump connected in series must be set to the ON position.

Heat pumps in series connection



The last heat pump connected in series



Make sure DIP switch 2 is in the ON position on the last heat pump in the series connection.

The jumper (PE-Sc) must be left in place.

10.1 Define and address heat pumps in the case of series connection

This example shows the settings that are to be made when the controlling product CTC EcoPart i600M (HP1) is connected in series with two other heat pumps (HP2 and HP3). Up to 10 heat pumps can be connected in series.

10.1.1 Define HP2 and HP3

Define the heat pumps in the controlling product's display in the "Installer/Define system/Heat pump" menu*.

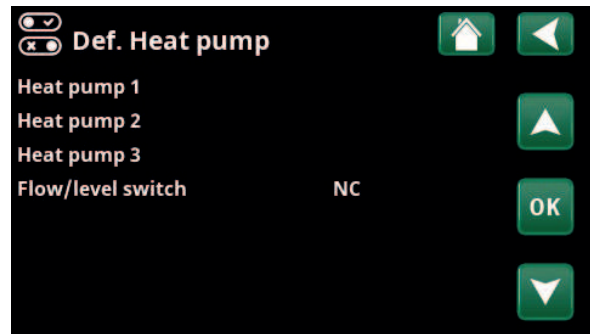
Set the heat pumps covered by the system to the "On" position.

10.1.2 Address HP2 and HP3

After this, heat pump 2 will change address from HP1 to HP2.

In this example, we have assumed that all heat pumps are called HP1, as they do from the factory.

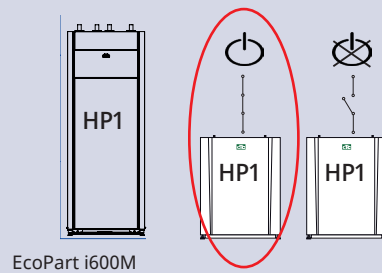
*For detailed information on all the control system's menus, see chapter "Detailed menu descriptions".



Example of a system with three heat pumps.

1. Power up the heat pump, which will be numbered heat pump 2 (HP2).

Wait for about 2 minutes.



EcoPart i600M

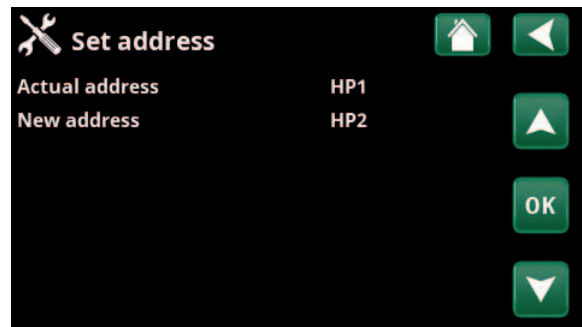
2. Go to the "Installer/Service/Set Address" menu.

Select "Current Address", press "OK" and "Up Arrow" to display "HP1". Press "OK".

If the heat pump has already been renumbered, then select this number instead.

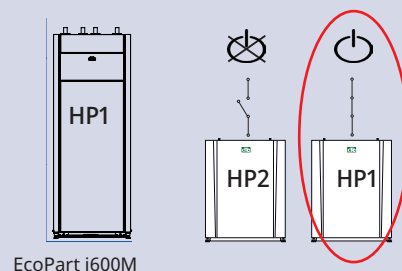
Select "New Address", press "OK" and "Up Arrow" to display "HP2". Press "OK" to set the new address.

The heat pump is now numbered HP2.



3. Power up the heat pump, which will be numbered heat pump 3 (HP3).

Wait for about 2 minutes.



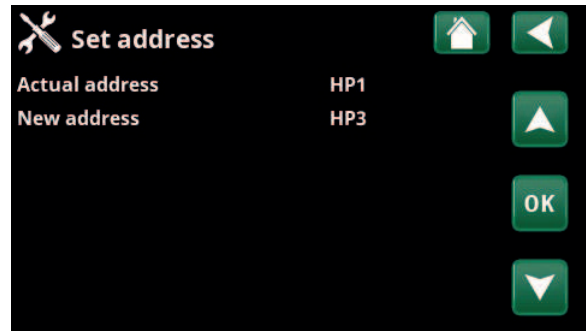
EcoPart i600M

4. Select "Current Address", press "OK" and "Up Arrow" to display "HP1". Press "OK".

If the heat pump has already been renumbered, then select this number instead.

Select "New Address", press "OK" and "Up Arrow" to display "HP3". Press "OK" to set the new address.

The heat pump is now numbered HP3.

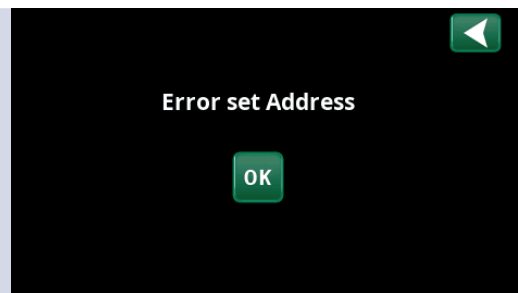


10.1.3 Error when setting address

If this display appears during addressing, it may be because the wrong current address has been entered.

If the address setting fails, the latest heat pump addresses remain.

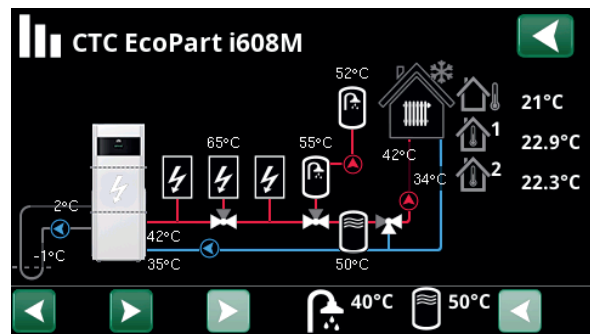
Try again with a new current address.



10.1.4 Function test heat pumps

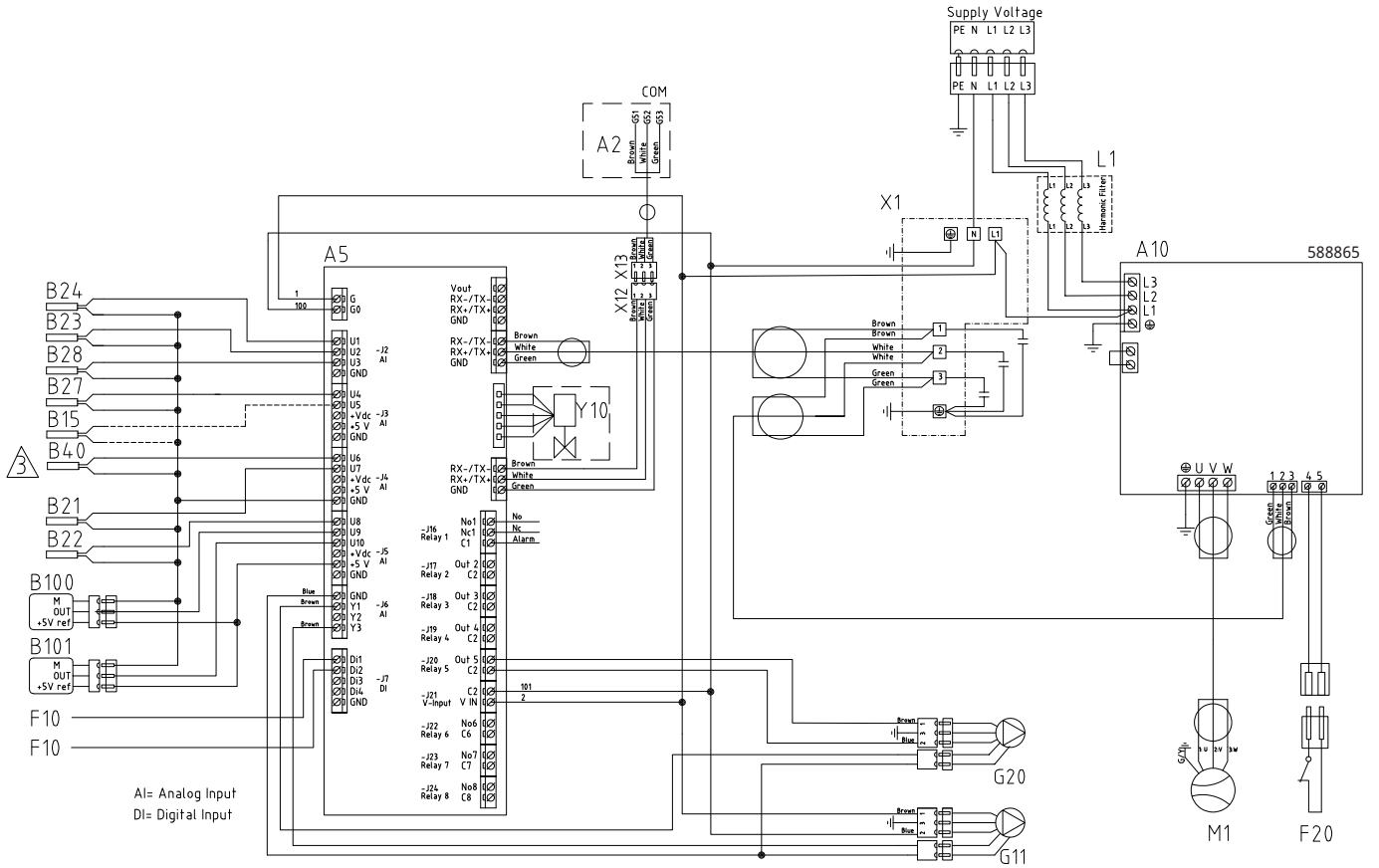
When the heat pumps are renumbered, they are displayed in the "Operation data/Status heat pump" menu, which you get to by pressing the heat pump symbol in the "Operation data" menu.

Test that each heat pump starts. In the "Installer/Service/Function test/Heat pump" menu, the compressor, brine pump/fan and charge pump can be tested.



11. Wiring diagram

11.1 Cooling module

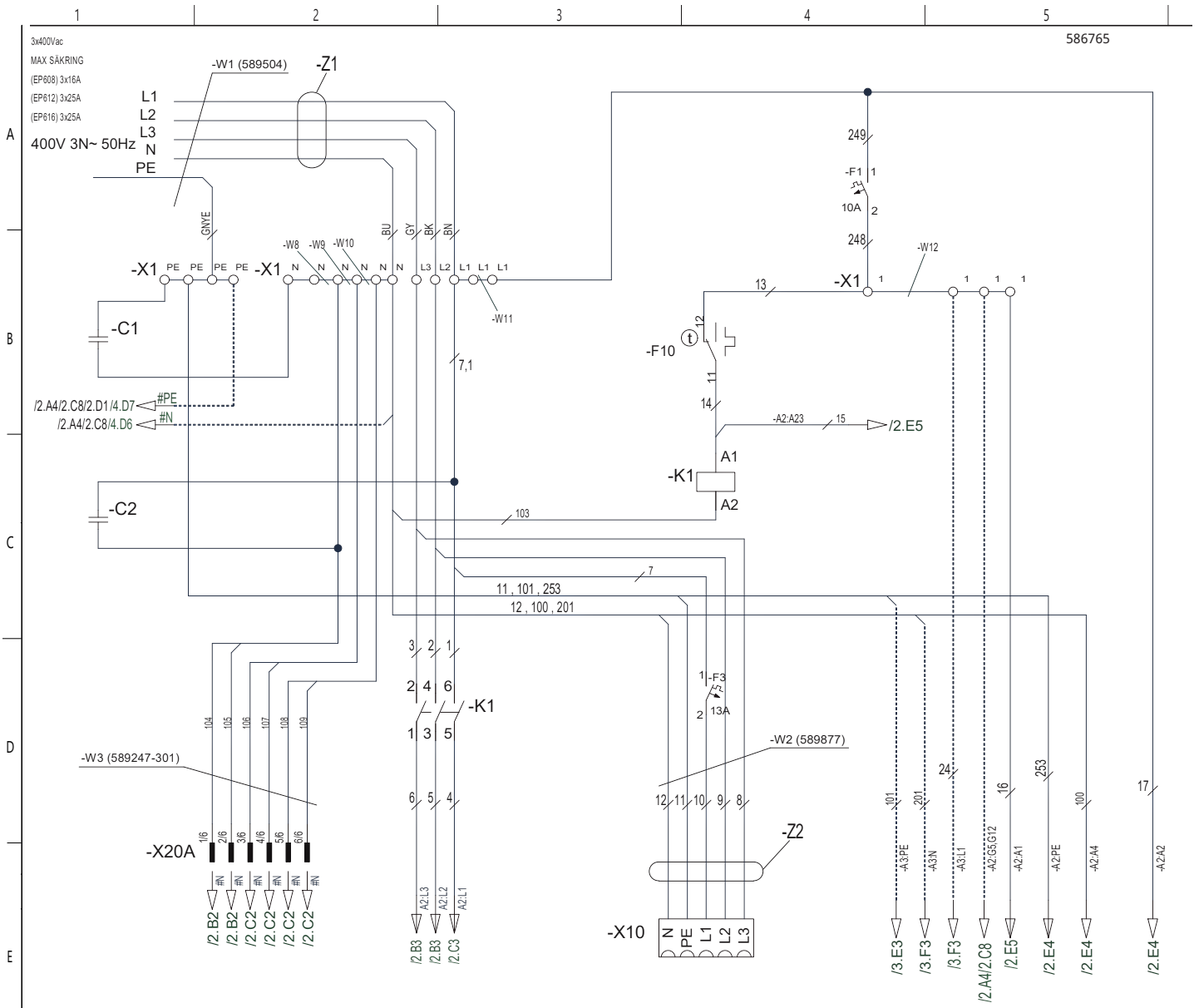


11.2 Connection table for electrical components, cooling module

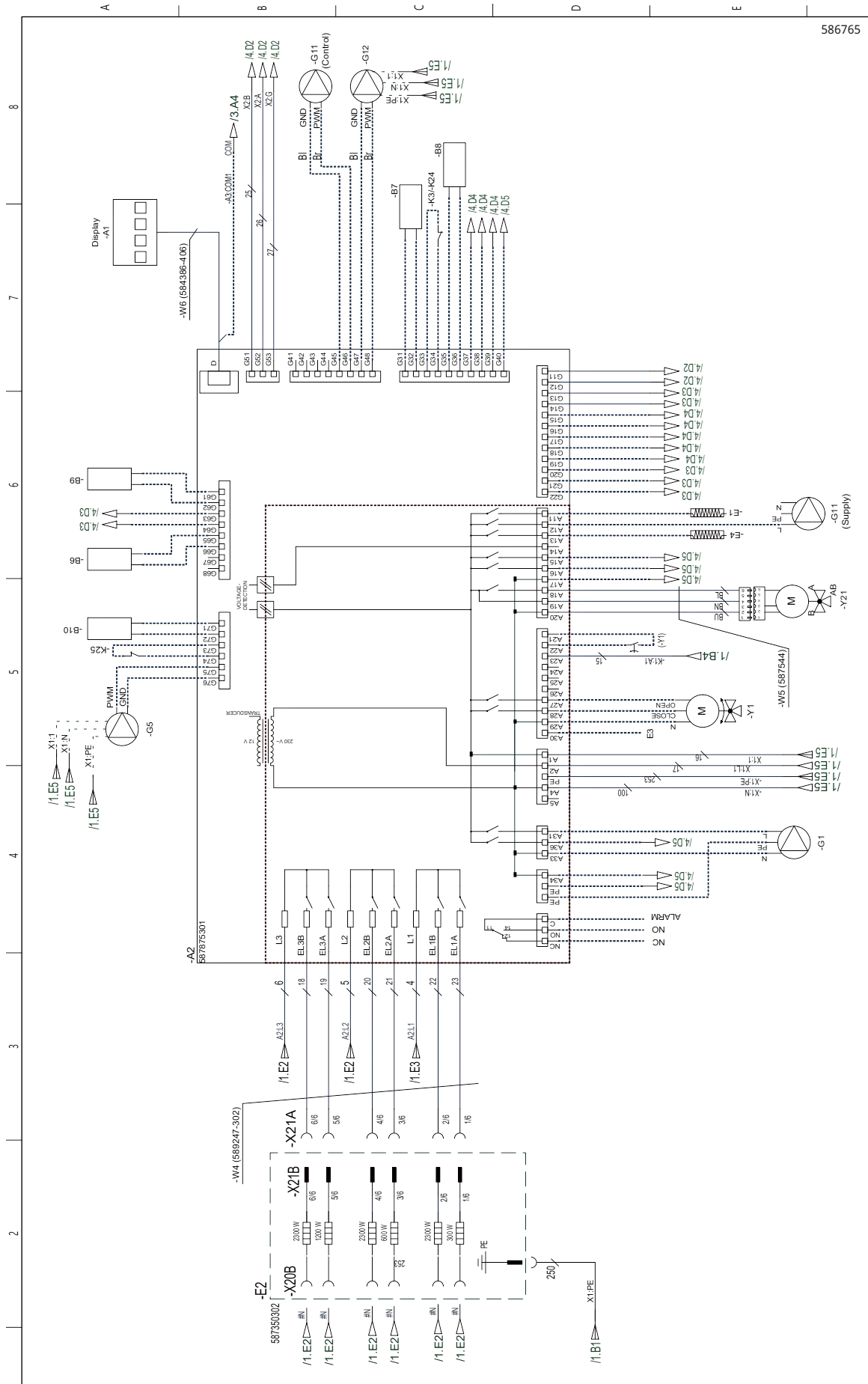
This table indicates connections on HP control card A5 (in cooling module), see wiring diagram.

| Connection | Designation | Option | Card | Terminal block | Cable |
|------------|--------------------------------|--------|---|--|-------------------------------|
| A2 | Relay/main card | | A5 A5 A5 | RT-/TX- RT+/TX+ GND | 1 (X12) 2 (X12) 3 (X12) |
| B21 | Temperature sensor Discharge | | A5 A5 | J4:U7 GND | |
| B22 | Temperature sensor Suction gas | | A5 A5 | J5:U8 GND | |
| B23 | Sensor, Brine in | | A5 A5 | J2:U2 GND | |
| B24 | Sensor, Brine out | | A5 A5 | J2:U1 GND | |
| B27 | Sensor, HP in | | A5 A5 | J3:U4 GND | |
| B28 | Sensor, HP out | | A5 A5 | J2:U3 GND | |
| B40 | Sensor, temp AC choke | | A5 A5 | J4:U6 GND | |
| B100 | High pressure sensor | | | GND J5:U9 J5:+5V | M OUT +5V ref |
| B101 | Low pressure sensor | | A5 | J4:GND J5:U10 J5:+5V | M OUT +5V ref |
| F10 | Max Thermostat | | A5 A5 | J7:Di1 J7:Di2 | |
| F20 | High pressure switch | | A10 A10 | 4 5 | |
| G11 | Charge pump | | X1:L1 X1:L1 X1:L1 X1:N X1:N X1:N | A5:G J21:V IN G11:1 GND A5:G0 J21:C2 G11:2 | Brown Blue |
| G20 | Brine pump | | A5 A5 A5 A5 | J20:Out 5 GND J20:C2 J6:GND J6:Y1 | 1 3 2 |
| M1 | Compressor | | A10 A10 A10 | U V W | 1 2 3 |

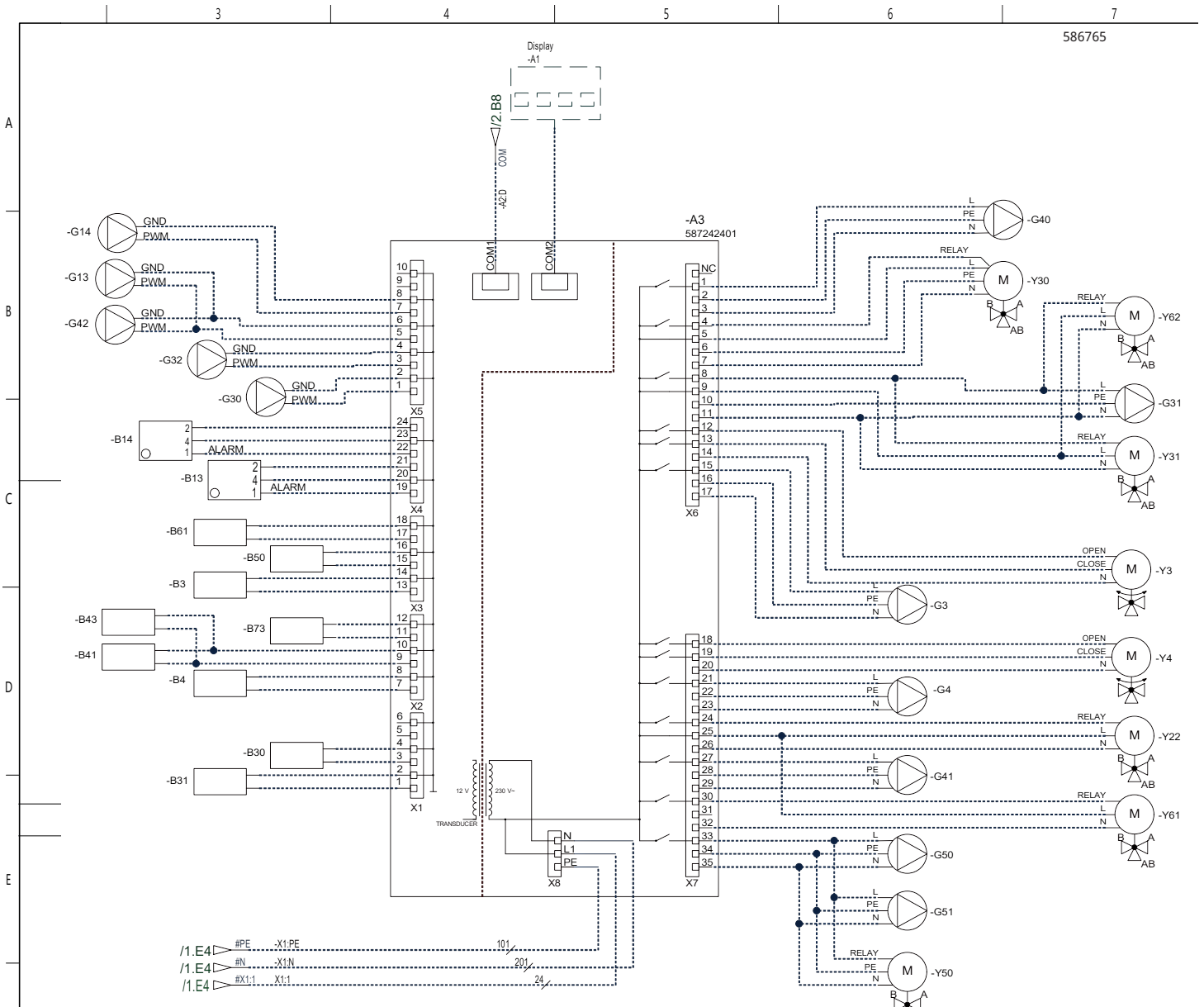
11.3 Wiring diagram Relay card /1



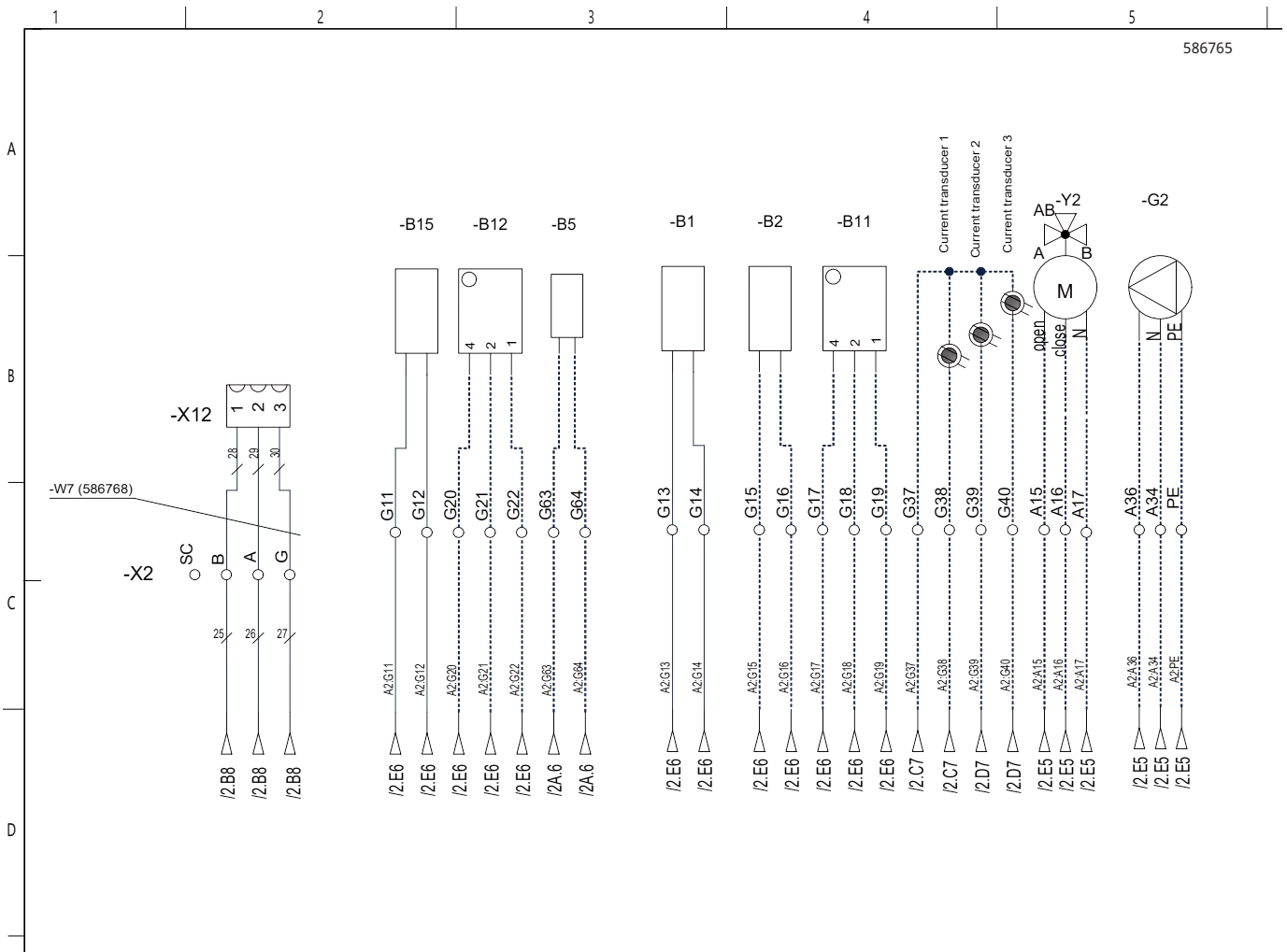
11.4 Wiring diagram Relay card /2



11.5 Wiring diagram Extension card /3



11.6 Wiring diagram Relay card /4



586765

11.7 Connection table for electrical components, relay card and terminal board

This table indicates connections on relay card A2 or terminal board A3, see wiring diagram.

| Connection | Designation | Option | Card | Terminal block | Cable |
|------------|--------------------------------------|--------|--|---|-----------------------------|
| E1 | Additional heat | | A2 X1 X1 | A11 N PE | Relay output |
| E2 | Additional heat, 0-3 step/0-7 step | x | A2 A2 A2 A2 A2 A2 X1 X1 | EL1A EL2A EL1A+EL2A EL3A EL1A+EL3A EL1A+EL2A+EL3A N PE | |
| E2 | Additional heat, 0-10V analogue | x | A3 A3 | X5:9 X5:10 | |
| E3 | Additional heat, EcoMiniEI 0-3 step | | A2 X1 X1 | A30 N PE | Comm 230V |
| E4 | Additional heat, DHW | | A2 X1 X1 | A13 N PE | Relay output |
| G1 | Radiator pump 1 | | A2 A2 A2 | A31 PE A33 | Phase PE GND |
| G2 | Radiator pump 2 | | A2 A2 A2 | A36 PE A34 | Phase PE GND |
| G3* | Radiator pump 3 | x | A3 A3 A3 | X6:15 X6:16 X6:17 | Phase PE GND |
| G4* | Radiator pump 4 | x | A3 A3 A3 | X7:21 X7:22 X7:23 | Phase PE GND |
| G5 | Circulation pump, DHW heat exchanger | | A2 A2 | G75 G76 | PWM+ GND |
| G11 | Charge pump HP1 | | A2 A2 A2 | G45 G46 A12 | GND PWM+ Relay output |
| G12 | Charge pump HP2 | | A2 A2 | G47 G48 | GND PWM+ |
| G13* | Charge pump HP3 | x | A3 A3 | X5:5 X5:6 | PWM+ GND |
| G14* | Charge pump HP4 | x | A3 A3 | X5:7 X5:8 | PWM+ GND |
| G30* | Circulation pump, solar panels | x | A3 A3 | X5:1 X5:2 | PWM+ GND |
| G31* | Charge pump, Recharge bedrock | x | A3 A3 A3 | X6:8 X6:10 X6:11 | Phase PE GND |
| G32* | Pump, heat exchanger solar panels | x | A3 A3 | X5:3 X5:4 | PWM+ GND |

*Applies if the CTC Expansion accessory has been installed.

| Connection | Designation | Option | Card | Terminal block | Cable |
|------------|--|--------|----------------------|------------------------------|--|
| G40* | Circulation pump, DHW | X | A3 A3 A3 | X6:1 X6:2 X6:3 | Phase PE GND |
| G41* | Charge pump, external DHW tank | X | A3 A3 A3 | X7:27 X7:28 X7:29 | Phase PE GND |
| G50/G51* | Pumps, pool | X | A3 A3 A3 | X7:33 X7:34 X7:35 | Phase PE GND |
| K22 | Remote control, SmartGrid | | A2 | A14 | ** |
| K22/K23 | Remote control, SmartGrid | | A2 | A25 | ** |
| K23 | Remote control, SmartGrid | | A2 | A24 | ** |
| K24 | Remote control, SmartGrid | | A2 | G33 | ** |
| K24 | Remote control, SmartGrid | | A2 | G34 | ** |
| K25 | Remote control, SmartGrid | | A2 | G73 | ** |
| K25 | Remote control, SmartGrid | | A2 | G74 | ** |
| Y1 | Mixing valve 1 | | A2 A2 A2 | A27 A28 A29 | Open Close GND |
| Y2 | Mixing valve 2 | | A2 A2 A2 | A15 A16 A17 | Open Close GND |
| Y3* | Mixing valve 3 | X | A3 A3 A3 | X6:12 X6:13 X6:14 | Open Close GND |
| Y4* | Mixing valve 4 | X | A3 A3 A3 | X7:18 X7:19 X7:20 | Open Close GND |
| Y21 | 3-way valve HP1 | | A2 A2 A2 | A18 A19 A20 | Relay output Phase GND |
| Y22 | 3-way valve HP2 | | A3 A3 A3 | X7:24 X7:25 X7:26 | Relay output Phase GND |
| Y30* | Sun, 3-way valve DHW | X | A3 A3 A3 A3 | X6:4 X6:5 X6:7 X6:6 | Control voltage Phase GND PE |
| Y31* | 3-way valve, sun | X | A3 A3 A3 | X6:8 X6:9 X6:11 | Open to borehole Open to tank GND |
| Y61* | 3-way valve, active cooling | X | A3 A3 A3 | X7:30 X7:32 X7:25 | Relay output GND Phase |
| Y62* | 3-way valve, active cooling demand relay | X | A3 A3 A3 | X6:8 X6:11 X6:9 | Relay output GND Phase |
| B1 | Primary flow sensor 1 | | A2 A2 | G13 G14 | |
| B2 | Primary flow sensor 2 | | A2 A2 | G15 G16 | |
| B3* | Primary flow sensor 3 | X | A3 A3 | X3:13 X3:14 | |
| B4* | Primary flow sensor 4 | X | A3 A3 | X2:7 X2:8 | |

*Applies if the CTC Expansion accessory has been installed.

**Connection according to description of remote control functions.

| Connection | Designation | Option | Card | Terminal block | Cable |
|------------|-------------------------------------|--------|----------------------|--------------------------|--------------------------|
| B5 | Sensor, DHW tank | | A2 A2 | G63 G64 | |
| B6 | Sensor, buffer tank | | A2 A2 | G65 G66 | |
| B7 | Return sensor, heating circuit | | A2 A2 | G31 G32 | |
| B8 | Sensor, Flue gas | | A2 A2 | G35 G36 | |
| B9 | Sensor, external boiler | | A2 A2 | G61 G62 | |
| B10 | Sensor, external boiler out | | A2 A2 | G71 G72 | |
| B11 | Room sensor 1 | | A2 A2 A2 | G17 G18 G19 | |
| B12 | Room sensor 2 | | A2 A2 A2 | G20 G21 G22 | |
| B13* | Room sensor 3 | X | A3 A3 A3 | X5:19 X5:20 X5:21 | 1 4 2 |
| B14* | Room sensor 4 | X | A3 A3 A3 | X5:22 X5:23 X5:24 | 1 4 2 |
| B15 | Outdoor sensor | | A2 A2 | G11 G12 | |
| B30* | Sensor, solar panels in | X | A3 A3 | X1:3 X1:4 | |
| B31* | Sensor, solar panels out | X | A3 A3 | X1:1 X1:2 | |
| B43* | Sensor, DHW extra buffer | X | A3 A3 | X2:9 X2:10 | |
| B50* | Sensor, pool | X | A3 A3 | X3:15 X3:16 | |
| B61 | Sensor, cooling tank active cooling | X | A3 A3 | X3:17 X3:18 | |
| B73 | Sensor, return active cooling | X | A3 A3 | X3:11 X3:12 | |
| B103 | Current sensor | | A2 A2 A2 A2 | G37 G38 G39 G40 | Common L1 L2 L3 |
| HP1 | Heat pump 1 | | | | |
| HP2 | Heat pump 2 | | | | |
| HP3 | Heat pump 3 | X | | | |
| HP4 | Heat pump 4 | X | | | |
| HP5 | Heat pump 5 | X | | | |
| HP6 | Heat pump 6 | X | | | |
| HP7 | Heat pump 7 | X | | | |
| HP8 | Heat pump 8 | X | | | |
| HP9 | Heat pump 9 | X | | | |
| HP10 | Heat pump 10 | X | | | |

*Applies if the CTC Expansion accessory has been installed.

11.8 Resistances for sensors

| NTC 3.3K | | NTC 22K | | NTC 150 | |
|----------------|---------------------------------|----------------|--|----------------|--------------------------------|
| Temperature °C | Flue gas sensor Resistance Ω | Temperature °C | Electric boiler, Primary flow, Room sensor Resistance Ω | Temperature °C | Outdoor sensor Resistance Ω |
| 300 | 64 | 130 | 800 | 70 | 32 |
| 290 | 74 | 125 | 906 | 65 | 37 |
| 280 | 85 | 120 | 1027 | 60 | 43 |
| 270 | 98 | 115 | 1167 | 55 | 51 |
| 260 | 113 | 110 | 1330 | 50 | 60 |
| 250 | 132 | 105 | 1522 | 45 | 72 |
| 240 | 168 | 100 | 1746 | 40 | 85 |
| 230 | 183 | 95 | 2010 | 35 | 102 |
| 220 | 217 | 90 | 2320 | 30 | 123 |
| 210 | 259 | 85 | 2690 | 25 | 150 |
| 200 | 312 | 80 | 3130 | 20 | 182 |
| 190 | 379 | 75 | 3650 | 15 | 224 |
| 180 | 463 | 70 | 4280 | 10 | 276 |
| 170 | 571 | 65 | 5045 | 5 | 342 |
| 160 | 710 | 60 | 5960 | 0 | 428 |
| 150 | 892 | 55 | 7080 | -5 | 538 |
| 140 | 1132 | 50 | 8450 | -10 | 681 |
| 130 | 1452 | 45 | 10130 | -15 | 868 |
| 120 | 1885 | 40 | 12200 | -20 | 1115 |
| 110 | 2477 | 35 | 14770 | -25 | 1443 |
| 100 | 3300 | 30 | 18000 | -30 | 1883 |
| 90 | 4459 | 25 | 22000 | -35 | 2478 |
| 80 | 6119 | 20 | 27100 | -40 | 3289 |
| 70 | 8741 | 15 | 33540 | | |
| 60 | 12140 | 10 | 41800 | | |
| 50 | 17598 | 5 | 52400 | | |
| 40 | 26064 | | | | |
| 30 | 39517 | | | | |
| 20 | 61465 | | | | |

PT1000

| Temperature °C | Resistance Ω | Temperature °C | Resistance Ω |
|----------------|--------------|----------------|--------------|
| -10 | 960 | 60 | 1232 |
| 0 | 1000 | 70 | 1271 |
| 10 | 1039 | 80 | 1309 |
| 20 | 1077 | 90 | 1347 |
| 30 | 1116 | 100 | 1385 |
| 40 | 1155 | 120 | 1461 |
| 50 | 1194 | 140 | 1535 |

12. First start

When the heat pump is delivered, the compressor is blocked to avoid it being unintentionally started. The heat pump can be installed and started before the brine circuit is put into operation.

The heat pump can also be started without a fitted room sensor. The set curve will then regulate the heating. The sensor can, however, always be fitted for the alarm LED function.

Before first start

1. Check that the heating boiler and system are full of water and have been bled.
2. Ensure that the brine system is filled with water and antifreeze and that it is bled or ensure that the compressor is blocked.
3. Check that all connections are tight.
4. Check that all sensors are connected to the electrical supply.

First start

Switch on the power using the safety switch. The display will switch on.

Note! For more information, see chapter "Installation wizard"!

The heat pump now asks the following:

1. Choose language.
2. Verify that the system is filled with water.
3. Select the system type.
4. Define the DHW tank.
5. Specify whether Heat pump 1 is permitted or blocked.
6. Specify whether heating circuit 1 applies to radiators or underfloor heating.
7. If Heating circuit 2 is defined, the corresponding menu for this system is displayed. Switch between "Radiator" and "Underfloor Heating" for Heating circuit 2.
8. The heat pump then starts and the start menu appears.
9. Specify the maximum electric heater power. Choose between 0.0 and 9.0 kW in steps of 0.3 kW. Note! The setting range varies due to heat pump model.
 - **Menu Heating:** "Advanced/Settings/Additional heat/Max el. heater kW".
 - **Menu DHW:** "Advanced/Settings/DHW tank/Additional heat electric heater DHW kW E2".

When only an electric boiler is operating

When starting the product without a borehole, it is necessary to specify the electrical power for hot water production in the menu "Advanced/Settings/DHW tank/Additional heat electric heater DHW kW E2".

13. Operation and Maintenance

When the installer has installed your new heat pump, you should check along with the installer that the system is in perfect operating condition. Let the installer show you where the power switches, controls and fuses are so that you know how the system works and how it should be maintained. Bleed the radiators (depending on type of system) after around three days of operation and top up with water if required.

13.1 Periodic maintenance

After three weeks of operation and every three months of the first year, thereafter once a year:

- Check that the installation is free of leaks.
- Check that the product and system are free of air, bleed if necessary – see the chapter “Connection of brine system”.
- Check that the brine system is still pressurised and that the fluid level in the brine vessel is adequate/correct.
- The product does not require annual inspection for refrigerant leakage.

14. Troubleshooting/Appropriate measures

The CTC EcoPart i600M is designed to provide reliable operation and high levels of comfort, as well as a long service life.

If a fault occurs, you should always contact the installer who installed your unit. If the installer believes the malfunction is due to a materials or design fault, then they will contact Enertech AB to check and rectify the issue. Always provide the heat pump’s serial number.

14.1 Air problems

If you hear a rasping sound from the heat pump, check that it is properly bled. Top up with water where required, so that the correct pressure is achieved. If this noise recurs, call a technician to check the cause.

14.2 Alarm

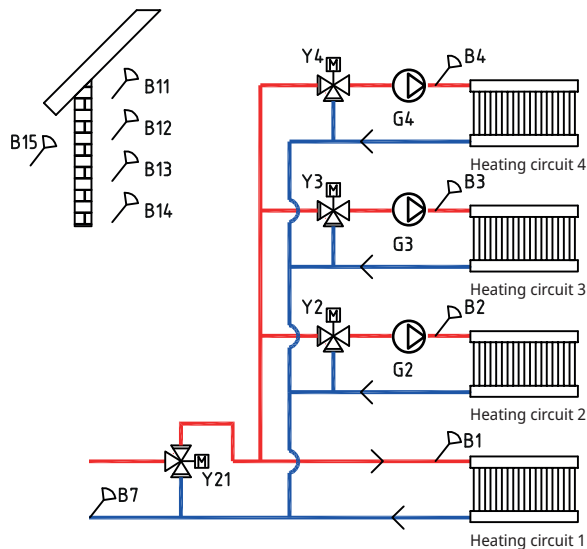
See the “Alarm texts” chapter for information about alarms and information texts from the heat pump.

15. System

15.1 Heating circuit

The CTC EcoPart i600M can control up to four heating circuits* using room sensors – for example, two radiator circuits and two underfloor heating circuits.

The required curve inclination and adjustment are set when operating outdoor sensors (B15) only. This value is different from home to home and should be adjusted to suit your needs.



A room sensor (B11-B14) that is correctly positioned can provide more comfort and more heating circuit savings. The room sensor detects the current indoor temperature and adjusts the heating, for example when it is windy outside and the house is losing heat, which the outdoor sensor is unable to register. During solar insolation, or other instances when heat builds inside the house, the room sensor can also reduce the heat supplied, thus saving energy. Another way to save energy is to use the night reduction function, which reduces the indoor house temperature at certain times or periods, for example during the night or when you are away on holiday.

Degree minutes, System Types 1-3

For System Types 1, 2 and 3 (see the schematic diagrams for System Types 1 to 6 in the "Pipe installation" chapter), the control system measures the temperature in the heating circuit each minute. Once a certain cumulative heat loss (measured in degree minutes) is measured, the heat pump is started up to compensate for the loss.

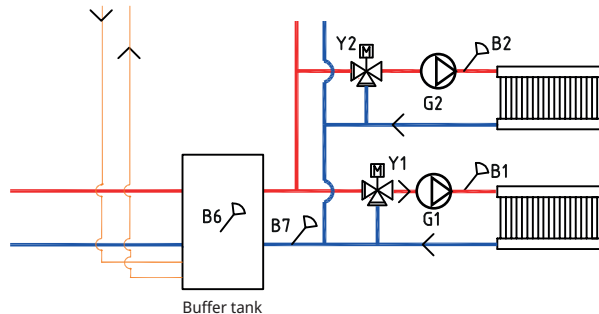
"Degree minutes" refers to the product of the cumulative heat loss in degrees (°C) and the time measured for this in minutes. For example, 60 degree minutes may arise if a total of one degree of heat loss accumulates for one hour, or three degrees of cumulative heat loss is measured after 20 minutes.

The CTC EcoPart i600M starts when heat loss reaches 60 degree minutes (factory setting) and stops when the system has recovered the loss (at 0 degree minutes). If several heat pumps are connected at the same time as the heat loss increases, heat pump 2 starts when there is a loss of 90 degree minutes (the factory-set difference between the heat pumps is 30 degree minutes). If additional heat is needed, this is added when there is a heat loss of 500 degree minutes and stops at 400 degree minutes (both values are factory set).

**Applies if the CTC Expansion accessory has been installed.*

Buffer tank, System types 4-6

If a buffer tank is connected (see the schematic diagrams for Systems Types 4 to 6 in the "Pipe Installation" chapter), the heating circuit can be kept at a constant temperature.



The heat pump is controlled based on the temperature in the buffer tank. The compressor starts at a certain predefined time after the sensor in the tank measures a temperature that is lower than the setpoint for the tank and stops when the tank measures a temperature difference that is set higher than the setpoint for the tank. The indoor temperature in conjunction with the outdoor temperature and chosen heat curve determine at which temperature the primary flow temperature will be aimed.

15.1.1 Heat pump

The CTC EcoPart i600M can control up to nine* CTC heat pumps.

Heat pump operation is of the floating condensation type, where the heat pumps heat to the temperature required by the heating circuit. This temperature varies depending on the outdoor temperature and which set inclination and adjustment of the heat curve has been chosen. Installed room sensors affect the temperature required in the heating circuit.

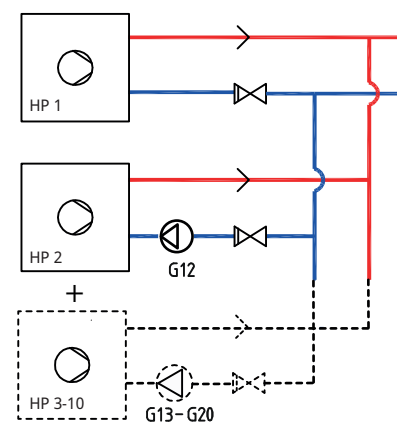
Savings from a heat pump are directly linked to the COP value. COP means the output in proportion to the supplied power. Thus, COP = 3 means that for 1 kW of supplied power from the compressor, 3 kW of heat output is produced.

The lower the temperature the heat pump needs to produce, the higher the COP value obtained from the heat pump, as this is a more advantageous operation for the compressor. The heat pump therefore only heats to the temperature required by the heating circuit. This is economical in terms of the service life of the compressor and in maximising operating economy.

15.1.1.1 More than two heat pumps

The CTC EcoPart i600M and a CTC heat pump of another model can be connected via 3-way valves to alternate the charge between the hot water tank and the heating circuit. If more than two heat pumps are installed, these are connected to the heating circuit. The heat pumps are connected via the Modbus communication interface. See also connection options in the "Active cooling" chapter.

When two or more heat pumps are connected to the same system, the common pipes, 3-way valves and mixing valves must be sized so that they are able to cope with the total flow from the heat pumps.



**Applies if the CTC Expansion accessory has been installed.*

15.1.1.2 Prioritisation of heat pump operation

When the CTC EcoPart i600M is connected to the heating circuit along with heat pumps of different sizes, the heat pumps are divided into two categories: small or large heat pumps. Dividing the available heat pumps into two different size categories means it is possible to change the output in small steps and in this way achieve modulating operation.

When, for example, a need for power occurs, a large heat pump is switched on at the same time as a small heat pump is switched off, and vice versa when reducing power. Within both the small and large groups, reciprocal heat pump operation is prioritised according to accumulated operation time.

When combining different types of heat pumps, air/water and ground source pumps are prioritised according to the current outdoor temperature.

15.1.1.3 Different heat pumps

The CTC EcoPart i600M can control various types of CTC heat pumps: for example CTC EcoAir and CTC CombiAir (air-to-water heat pumps) and CTC EcoPart (liquid-to-water heat pump).

The outdoor temperature at which CTC EcoAir is prioritised over CTC EcoPart is set in the "Installer/Settings/Heat Pump" menu. This means that the operating economy can be maximised, as at a high outdoor temperature a greater energy yield is obtained from the CTC EcoAir than from the CTC EcoPart (Prio Air/Brine °C).

This combination works exceptionally well for installations where, for example, the ground source heat pump is undersized. An air-to-water heat pump can then be used to give the bedrock a longer time to recover and provide the system with increased power.

15.1.1.4 Pressure/level switch

In some cases, extra protection is required due to local requirements or provisions. For example, the requirement in some areas is for the system to be installed within a water catchment area.

The pressure/level switch connects to terminal blocks K22/K23/K24/K25 and is then defined in the "Installer/Define/Def. Heat Pump" menu. If there is a leak, the compressor and brine pump stop and the Flow/level switch alarm appears on the display.

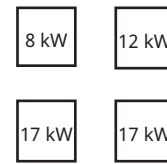
15.1.1.5 Speed-controlled charge pump

Each connected heat pump should have a separate charge pump that starts and stops together with its respective heat pump. If the charge pump is speed-controlled, the flow will be automatically set without adjustment via the control valve.

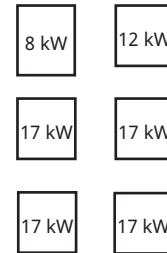
In the heating circuit, the charge pump will work towards a fixed difference between supply and return from the heat pump.

If a speed-controlled charge pump is not installed, the flow may be adjusted manually in accordance with the heat pump's manual. The difference between incoming and outgoing water from the heat pump will vary depending on the operating conditions during the year.

When the outdoor temperature is less than +2 °C, the charge pumps must start in order to protect against frost in cases where an air/water heat pump is installed. A speed-controlled charge pump will only work at 50% of its maximum capacity. This provides for increased savings on the charge pump's operating economy. In addition, the heat losses are lowered compared with a charge pump with a fixed speed setting.



In the example above, 8 kW and 12 kW are classed as small, while the two 17 kW machines are classed as large.



In the example above, 8 kW and 12 kW are classed as small, while the two 17 kW machines are classed as large.

15.2 DHW

DHW can be directed from heat pumps, solar panels and additional heat to a separate DHW tank.

The required DHW comfort level is set in the "DHW" menu. In this main menu, it is possible to schedule increased water temperatures during certain times of the day.

The factory-set stop temperature is 55 °C (factory-set for "Program DHW Normal") in the hot water tank. When DHW is being drained and the temperature in the tank falls to 5 °C below the stop temperature, the heat pump starts and raises the water temperature towards the set stop temperature.

The stop temperature is adapted to DHW needs and to the heat pump model installed.

15.3 Additional heat

The CTC EcoPart i600M has built-in additional heat (E2), but can also control an external additional heat source (pellet, oil, gas or electric boiler) which is connected before or after the DHW system.

In the "Installer/Settings/Additional Heat" menu, systems 1, 2 and 3 can be set according to the cumulative heat loss in degree minutes at which the additional heat will start as well as the difference between the start and stop of the additional heat. Additional heat is factory set to start when there is a loss of 500 degree minutes and to stop when the loss totals 400 degree minutes (set difference = 100 degree minutes).

For System Types 4, 5 and 6, additional heat can be set to start at a certain time after heat loss occurs in the tank. The factory setting is 180 minutes.

15.3.1 Wood boiler

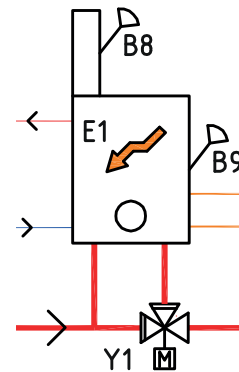
In system 1, the CTC EcoPart i600M can be connected to a wood boiler.

When wood-firing is started and the flue gas sensor reaches the value set in the "Installer/Settings/Additional Heat/Start Flue Gas °C" menu (factory-set to "Off"), the control activates the "Wood operation" status.

When wood operation is active, the heat pump(s) or additional heat are not used for heating. When the flue gas sensor is below the set value, wood operation status is interrupted.

A charging system such as Laddomat 21 is recommended for the wood boiler for optimum performance. In special cases, for instance operating a water-jacketed stove, a charge pump controlled directly by the flue gas temperature can be used.

Wood operation can also be activated when the primary flow sensor (B1) is 10 °C above the setpoint.



15.4 Solar panels*

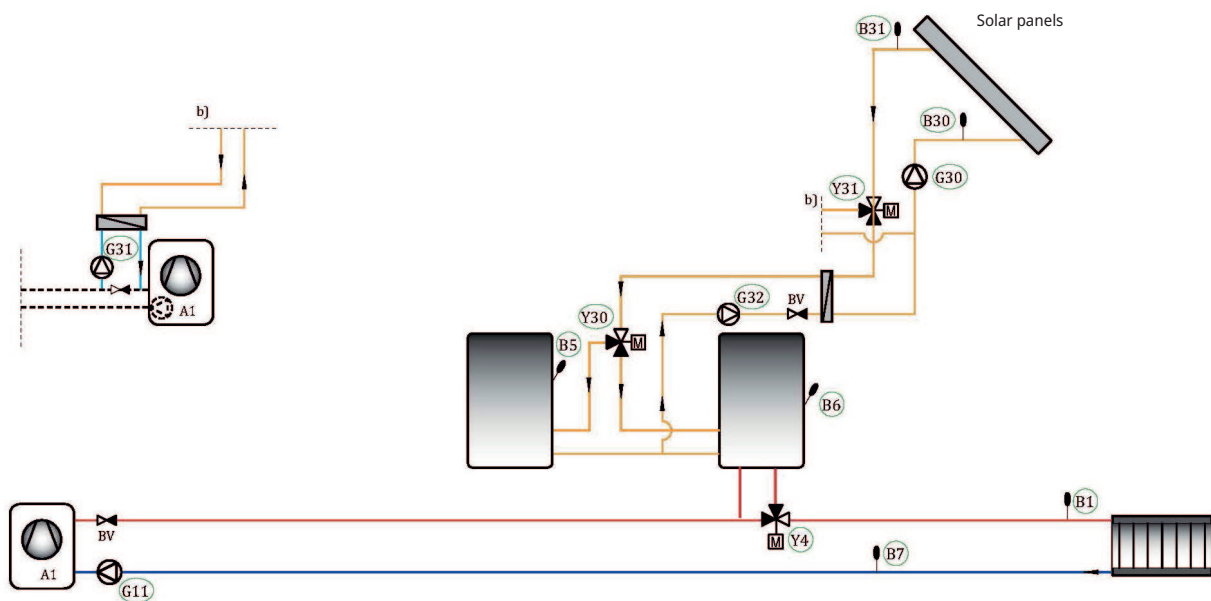
Solar panels can be connected to the buffer tank, DHW system and the bedrock/ground source heating circuit via 3-way valves.

When the temperature rises and the temperature difference exceeds 7°C (factory setting) between the solar panels and the DHW tank, the charge pump starts and transfers the solar heat to the DHW system. The speed-controlled pump controls the flow so that it always delivers a temperature of at least 7°C higher. This means that if solar panel output rises, the charge pump will increase the flow, and if solar panel output decreases, the charge pump will reduce the flow. When the DHW tank temperature increases or the solar panels drop in temperature and the temperature difference becomes 3°C (factory setting), the charging stops and does not start again until the temperature is at least 7°C warmer than in the DHW tank.

If both the DHW tank and buffer tank are defined, the DHW tank is prioritised. Charging first takes place to the DHW tank; once the set setpoint has been reached, charging changes to the buffer tank. Charging continues until a need for DHW arises or the set setpoint has been reached.

There are protective functions for the solar panels/the collector (refer to the "Installer/Settings/Solar Panels/Protection Collector" menu).

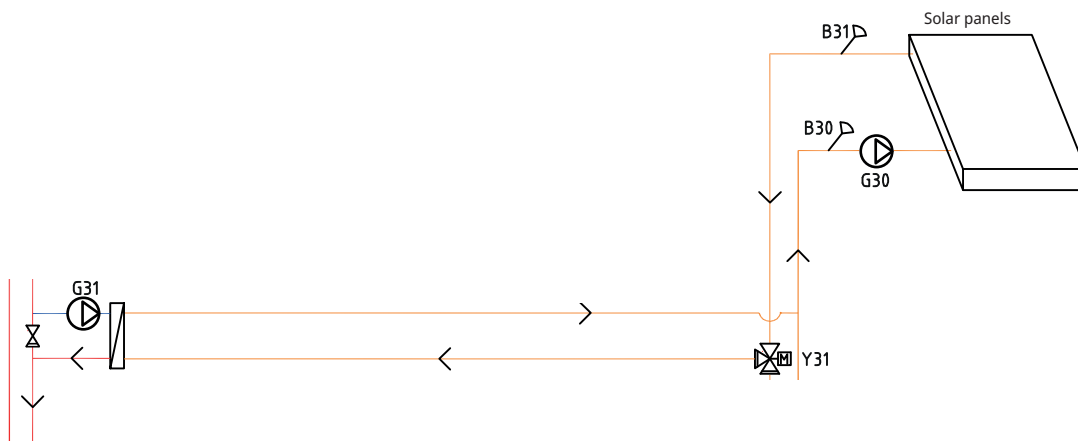
Heat exchangers and pumps (G32) do not need to be installed to the solar heating circuit if there is already an existing loop in the connected DHW/heating tank.



**Applies if the CTC Expansion accessory has been installed.*

15.5 Recharging bedrock/ground*

A 3-way valve can be installed in the solar circuit and connected to the brine circuit (the loop in the borehole or the ground heat loop) to recharge the bedrock/ground when the DHW tank/buffer tank are fully charged (factory set at 85 °C), or when the temperature in the solar panels is not sufficiently high to charge the tank but is able to provide an addition to the brine circuit. Refer to the "Settings/Solar Panels/Max DHW Tank °C" menu or the "Settings/Solar Panels/Max Buffer Tank °C" menu.



The solar panel temperature should be factory set at 60 °C warmer than the brine temperature in order for the charging to start (refer to the "Installer/Settings/Solar Panels/dT Max Bedrock °C" menu). When the difference between the temperature in the solar panels and the brine circuit falls to 30°C, the charging is stopped. If the brine circuit temperature becomes warmer than the set value, recharging will also be interrupted, as the temperature then becomes too high for the heat pump to work (refer to the "Installer/Settings/Solar Panels/Max Brine °C" menu).

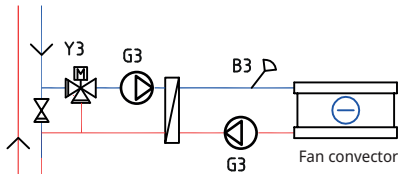
When the solar energy system works towards the brine circuit, the flow is factory set to switch to the DHW circuit every thirty minutes (refer to the "Installer/Settings/Solar Panels/Test Frequency Min" menu) to check whether charging is possible, since the DHW circuit always has the highest priority. If possible, charging towards the DHW tank will continue. Otherwise the charging reverts to the brine circuit.

**Applies if the CTC Expansion accessory has been installed.*

15.6 Cooling*

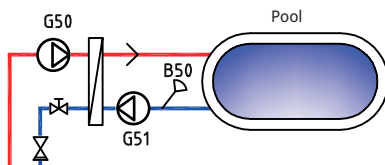
Cooling – also called “natural cooling” or “passive cooling” – exploits the free cooling found in bedrock. A bedrock/ground source heat installation is easily supplemented with a fan convector, a circulation pump, pipe and pipe parts, e.g. CTC EcoComfort. Operating costs are very low as the cold itself does not need to be produced, instead being simply transferred from the bedrock to the house.

In the "Installer/Settings/Passive Cooling" menu, the temperature from which passive cooling will be permitted, among other things, can be set.



15.7 Pool*

For System Types 4 to 6, the pool can be connected in parallel with the heating circuit via a heat exchanger in order to separate the liquids.



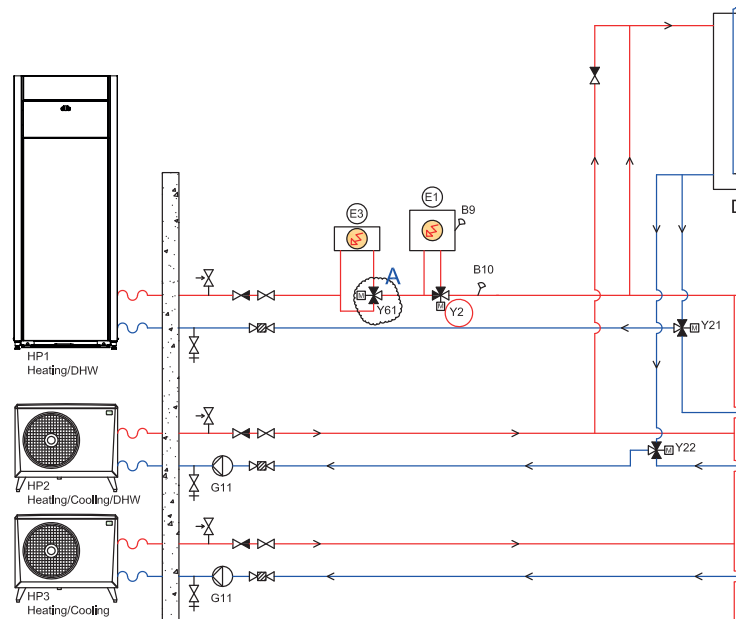
Via a sensor in the pool, the pool's charge pump starts and stops in order to maintain the set temperature in the pool (factory set at 22°C) and the temperature is allowed to fall by 1°C before the charge pump starts again. It is also possible to set a high and low pool priority, which determines whether or not additional heat will be used to heat the pool. See the "Installer/Settings/Pool" menu.

**Applies if the CTC Expansion accessory has been installed.*

15.8 Active cooling*

15.8.1 System 4

- The CTC EcoPart i600M is connected as heat pump 1 (HP1).
- Only model CTC CombiAir heat pumps can produce cooling. They are connected to a 3-way valve (Y61) in the case of a Separated heating/cooling tank. See schedule on the next page.
- If the 3-way valve (Y61) is installed by the additional heat source E3, it is activated (additional heat is bypassed) when the heat pump(s) is producing cooling.
- The mixing valve (Y2) is closed to additional heat during cooling.
- The return sensor (B73) is used for the cooling return from the heating circuit.
- A maximum of two heat pumps (HP1 and HP2) are used to produce either hot water or heat (via 3-way valves (Y21) and (Y22)).



System 4 - System for active cooling with three heat pumps.

Common heating/cooling tank

- When switching from heating to cooling:
 - Heating is deactivated.
 - Delay until cooling is permitted (see the "Installer/Settings/Cooling" menu).
- When switching from cooling to heating:
 - Heating is activated.
- Cooling and heating cannot be active at the same time.

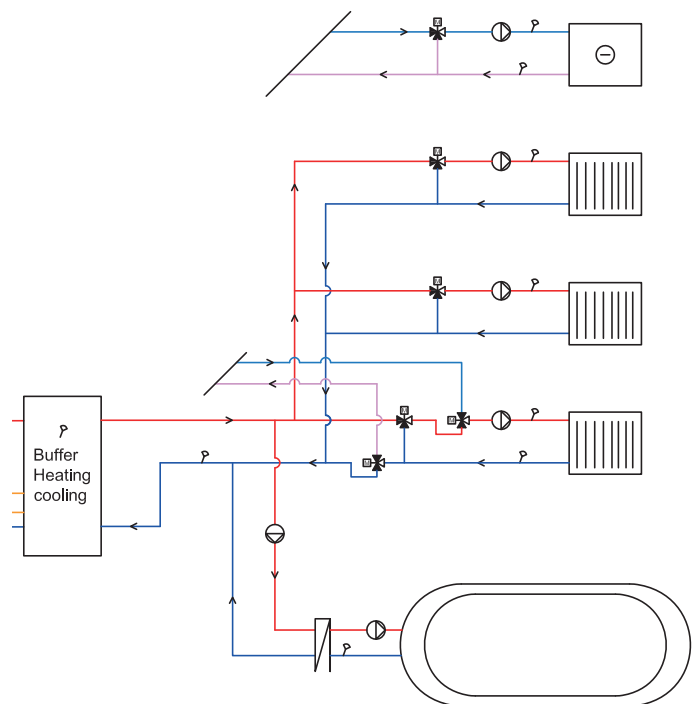
Separated heating/cooling tank or No cooling tank

- Cooling and additional heat sources cannot be active at the same time.
- Cooling and heating can be active at the same time.

15.8.2 System 5

Common and separated heating/cooling

- The only difference compared to system 4 is that system 5 does not have additional heat (E1 and E3).



System 4/5 - Common heating/cooling tank.
Electrical components - examples with four heating systems.

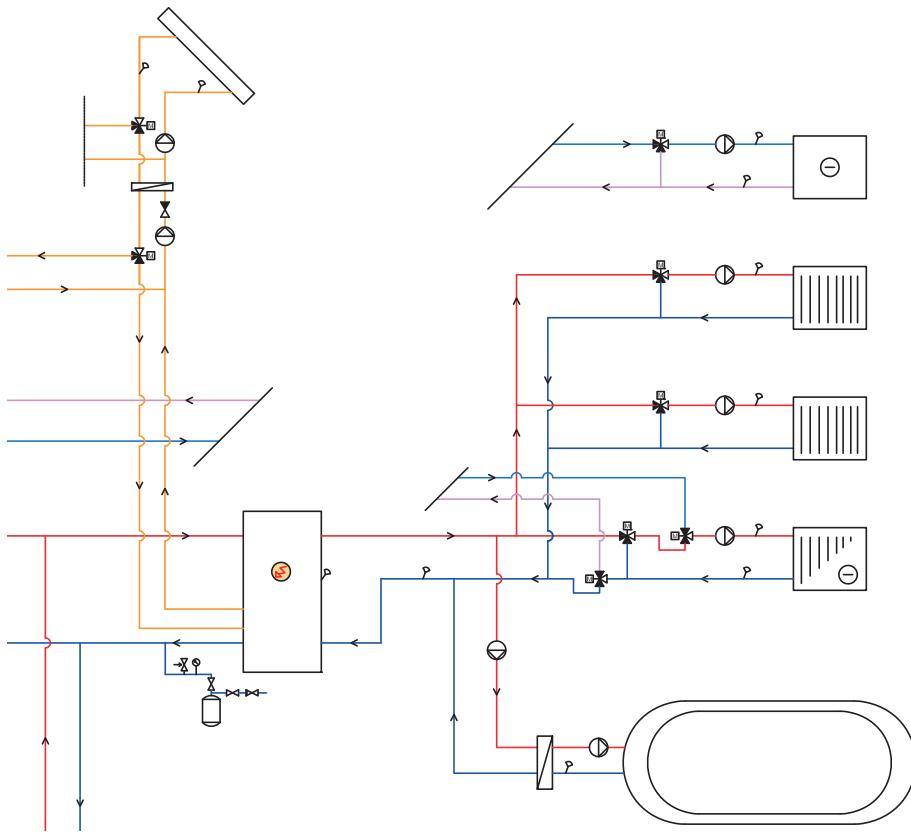
*Applies if the CTC Expansion accessory has been installed.

15.8.3 Electrical components

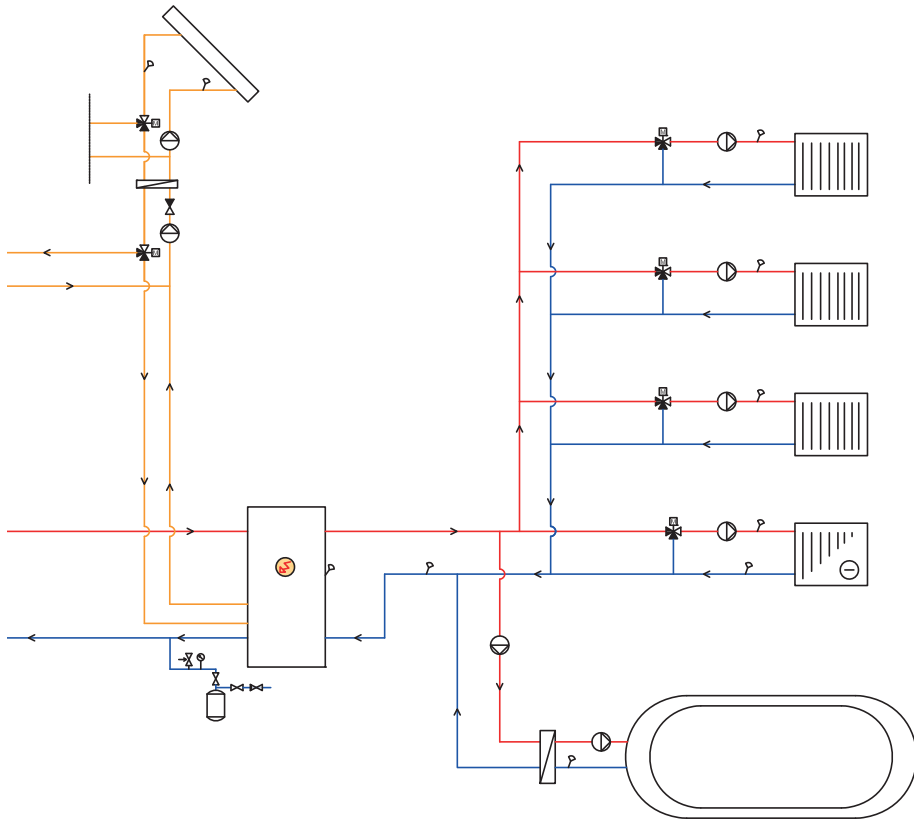
The following electrical components must be installed during active cooling:

- Sensor (B61) in cooling tank.
- Return sensor (B73).
- Primary flow sensor 3 (B3)
 - When separated heating/cooling, the system is controlled with (B3).
- 3-way valve, heating/cooling (Y61).
 - With separate heating/cooling tank and to bypass additional heat.
- 3-way valve, cooling relay (Y62).
 - To avoid heat loss from the heat tank in a separate heating/cooling tank system. The external control signal that is sent when cooling demand is active can also be used for, for example, a floor heating system.

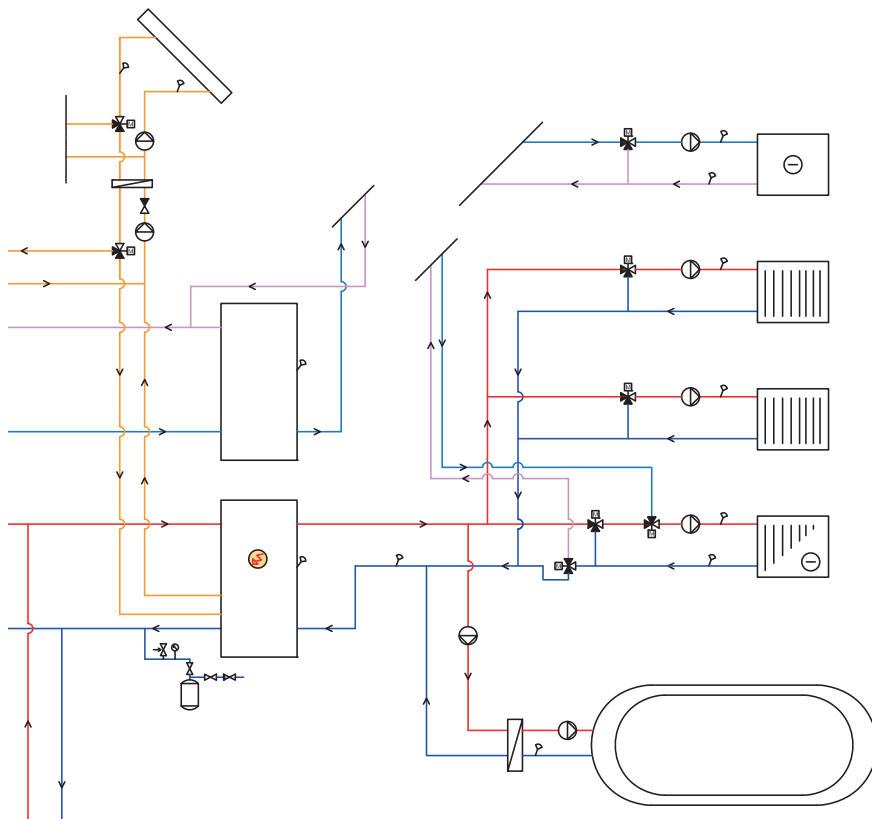
15.8.4 Distribution Heating/Cooling



System 4/5 - Cooling tank is missing in the system.



System 4/5 - Heating and cooling are distributed in the same buffer tank.



System 4/5 - Cooling is distributed in a separate oil tank.

15.8.5 Control logic consumer page

The control logic for the consumer page is described below. See the "Settings Cooling" section of the "Control system" chapter for more information about relevant menu settings.

Active cooling must be defined in the "Installer/Define/Cooling" menu in order to be activated as shown below.

Common heating/cooling

Active cooling in a common system is permitted if the following criteria are met at the same time:

- the delay time has passed after the production of heat has ended.
--> see menu bar "Heating off, delay".
- the outdoor temperature exceeds (or is equal to) the temperature from which cooling is to be permitted.
--> see the "Cooling permit. from outdoor T °C" menu.

Non-common heating/cooling

Active cooling in a separate system is permitted if the following criteria are met at the same time:

- the outdoor temperature exceeds (or is equal to) the temperature from which cooling is to be permitted.
--> see the "Cooling permitted from outdoor temp °C" menu.
- For systems with a common heating/cooling tank: the delay time has passed after the production of heat has ended.
--> see menu bar "Heating off, delay".

Room sensor installed

If a room sensor has been installed, active cooling is permitted if the following criteria are met at the same time:

- the room temperature exceeds (or equals) the set value plus the set temperature diff.
--> see the "Room temp cooling °C" menu.
--> The temperature diff. is set in the "Service/Coded settings" menu.
- when the delay time has passed.
--> see the "Start delay" menu.

Active cooling is stopped when the room temperature is less than (or equal to) the set stop temperature minus the set temperature diff.

Room sensor not installed

- Cooling is activated when the delay time has passed.
--> see the "Start delay" menu.

Block cooling

- Cooling can be temporarily deactivated by blocking cooling externally without any affect on delays.
--> see the "Ext. block cooling" menu.

Primary flow temperature

- The minimum primary flow temperature is calculated from the value set for the primary flow temperature at outdoor temperatures of +20 °C and +40 °C respectively.
--> see the "Primary flow at outdoor temp +20 °C/+40 °C" menus.
- The estimated diff. is calculated from the diff. set value permitted between the primary flow and return temperature of the cooling flow at outdoor temperatures of +20 °C and +40 °C respectively.
--> see the "Primary flow diff. outdoor temp +20 °C/+40 °C" menus.

Every x minutes, a new primary flow temperature is calculated based on the return temperature.

--> see the "Diff delay calc." menu.

If the value is lower than the minimum primary flow temperature, then this sets the minimum primary flow temperature.

Mixing valve control is calculated from the current and estimated primary flow temperature.

15.8.6 Alarm logic cooling

An alarm is triggered if:

- The cooling flow temperature is lower than the set value (factory setting: 18 °C) minus 0.5 °C.
The value is set on the row "Min. flow temp. cooling" in the "Installer/Service/Coded settings/Cooling" menu.

or

- For a common system: the primary flow temperature is lower than the room temperature minus the set flow diff. (factory setting: 5 °C) minus 0.5 °C.
The "flow diff." value is set on the menu bar "Max diff. room temp cooling" in the "Installer/Service/Coded settings/Cooling" menu.

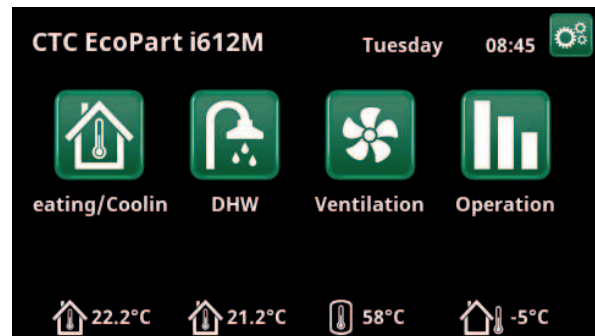
If any of the conditions are met for 10 minutes, the mixing valve (Y3) closes for 5 minutes in event of heating/cooling. The mixing valve is permitted to control the system for a total of 30 minutes. If the error persists after this time, the alarm will be triggered and appear in the display on the start menu.

16. Detailed menu descriptions

All settings can be configured directly on screen using the straightforward control unit. The large icons function as buttons on the touch display.

Operational and temperature information is also displayed here. You can easily access the different menus to find information on the operation or to set individual values.

Submenus that do not fit on the display can be accessed by pressing the down arrow on the display screen or by scrolling down by hand. A white scrollable list shows you where you are.



Main menu; display start menu, CTC EcoPart i612M.

16.1 Start menu

This menu is the system's home screen. An overview of the current operational data is provided here. All other menus can be accessed from this menu. Depending on which system is defined, the following symbols appear in the start menu, for example:



Heating / Cooling

Settings for raising or lowering the temperature indoors and for scheduling temperature changes. Submenus for "Active Cooling" are shown if defined.



DHW

Settings for DHW production.



Ventilation

Settings for ventilation mode if the system includes a separate ventilation unit.



Operation data

This shows current and historical operational data for the system.



Installer

This is where the installer configures the settings and service for your system.



Indoor temperature

Displays the current indoor temperature for each heating circuit if room sensors have been installed.



Tank temperature

Shows the current temperature in the DHW tank.



Outside Temperature

Shows the outdoor temperature.

16.2 Installation wizard

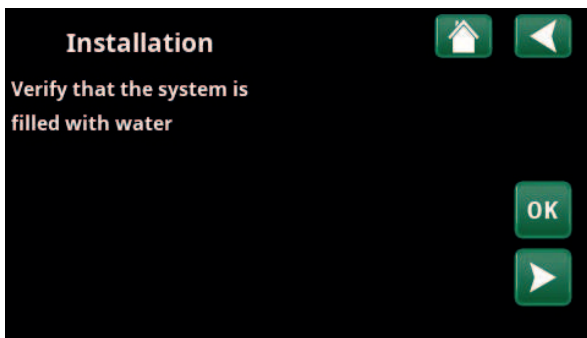
When starting up the system and during reinstallation (refer to the "Installer/Service" chapter), a number of system options must be selected. The dialogue boxes which will then be displayed are described below. The values shown in the menu screenshots below are only examples.



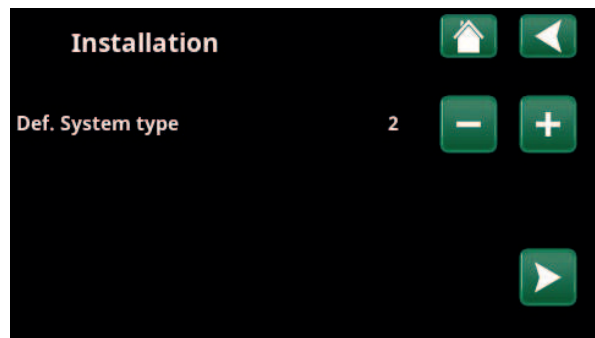
1. Choose language. Press OK to confirm.



2. Select the country where the heat pump is installed. Press OK to confirm.



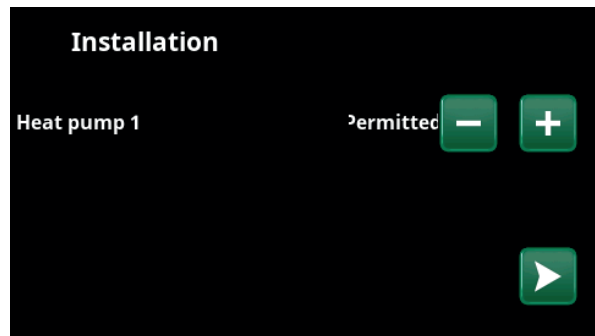
3. Verify that the system is filled with water. Confirm with "OK" and the "right" directional arrow.



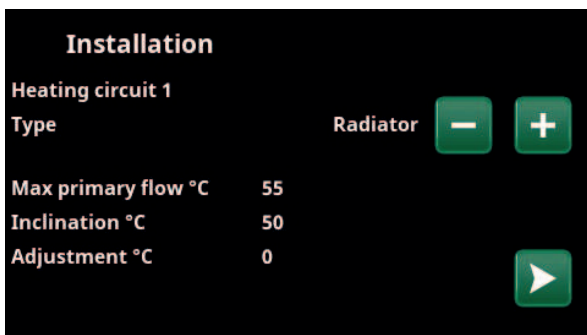
4. Select the system type using the plus/minus (+/-) buttons. Confirm with the "right" directional arrow.



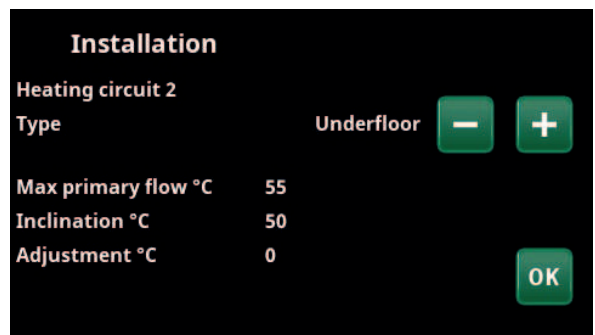
5. Use the buttons to define the DHW tank: For "Yes" press plus (+). For "No" press minus (-). Confirm with the "right" directional arrow.



6. Specify whether Heat pump 1 is permitted or blocked. For "Permitted" press plus (+). For "Blocked" press minus (-). Confirm with the "right" directional arrow.



7. Specify whether heating circuit 1 applies to radiators or underfloor heating. Switch between "Radiator" and "Underfloor Heating" by clicking the (+) and (-) buttons. Confirm with the "right" directional arrow.



8. If Heating circuit 2 is defined, the corresponding menu for this system is displayed. Switch between "Radiator" and "Underfloor Heating" for Heating circuit 2 and finish the wizard with "OK".



16.3 Heating/Cooling

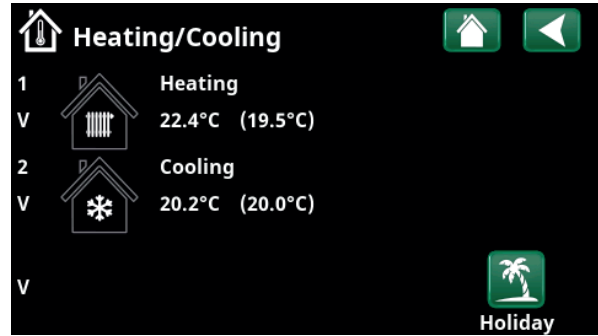
In the menu "HC- Heating/Cooling" the following settings can be made:

16.3.1 Setpoint setting with room sensor

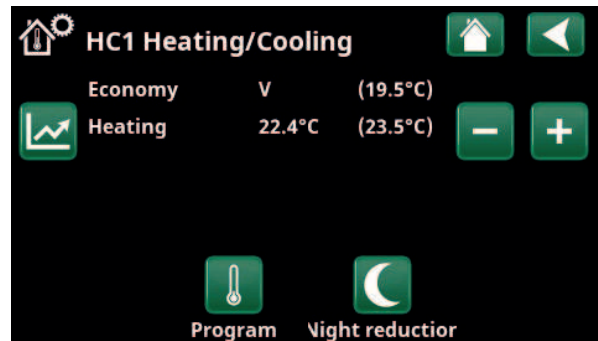
Set the desired room temperature (set point) with the "minus" and "plus" buttons. In the example in the "HC1 Heating/Cooling" menu, the "Economy" programme and "Holiday mode" (V) are active for heating circuit 1.

In the "HC2 Heating/Cooling" menu, the "Cooling" mode is active.

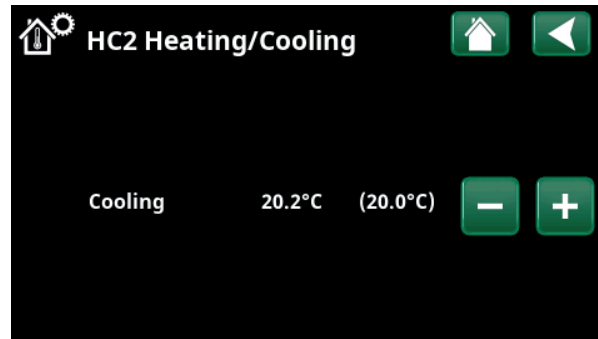
"Holiday mode" and "Night reduction" only lower the room temperature when heating mode is active.



Click on heating circuit 1 or 2 to go to the menu of the respective heating circuit. In this menu you can activate "Holiday mode" for the heating circuits.



In the menu, programs "Economy" and "Holiday mode" (V) are active for heating circuit 1. In this example, both the "Economy" and "Holiday Mode" programmes are set to lower the set point (23.5 °C) by 2 °C, which means that the actual set point = 23.5 - 2 - 2 °C = 19.5 °C.



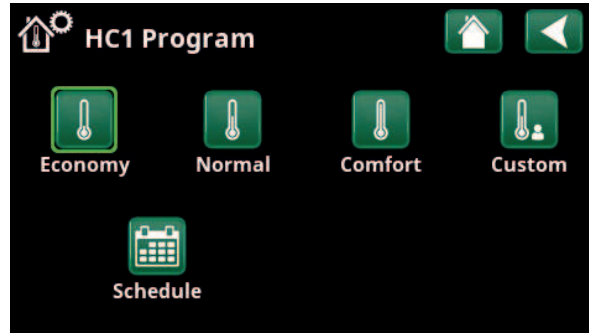
In the menu, "Cooling" (setpoint: 20.0 °C) is active for heating circuit 2. "Holiday mode" (V) does not lower the setpoint when cooling is active.



16.3.2 Program

Press the "Program" button and the heating program to be activated ("Economy", "Normal", "Comfort" or "Custom"). It is also possible to schedule the programmes.

See chapter "Installer/Settings/Heating circuit/Program" for information on how to set temperature increases/ decreases and delay times for the programs.



Menu "HC1 Heating/Cooling / HC1 Program" where program "Economy" has been activated.

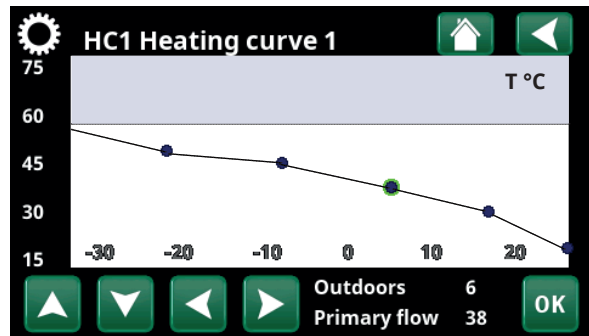


16.3.3 Heating curve

Press the heating curve symbol in the "HC1- Heating/ Cooling" menu. The graph of the heating circuit heat curve is displayed.

The chapter "Installer/Installation/Heating circuit" describes the setting of the heating curve.

See also chapter "House heating curve" for more information on adjusting the heating curve.



Menu "Heating/Cooling/HC1 Heating/Cooling".

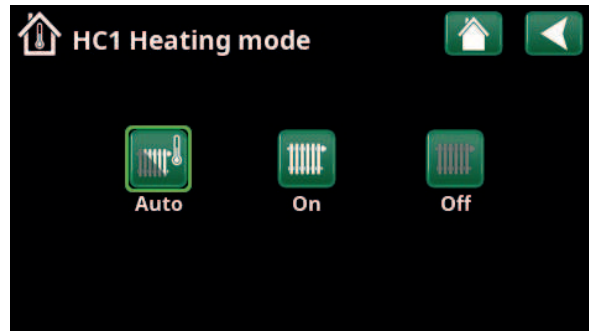


16.3.4 Heating mode

Press the "Mode" button and then select " Heating mode"; "Auto", "On" or "Off".

Heating mode can also be selected in the menu "Installer/Settings/Heating circuit/Heating mode".

See chapter "Installer/Settings/Heating circuit" for more information.



Menu "HC1 Heating/Cooling/HC1 Heating mode" where mode "Auto" has been activated.

16.3.5 Room temperature setting without room sensor

If the room sensor is difficult to locate, if the underfloor heating system control has its own room sensor, or if you use a wood burning stove or fireplace, you can select Room sensor "No" in the "Installer/Define/Heating circuit" menu. The alarm LED on the room sensor works as usual.

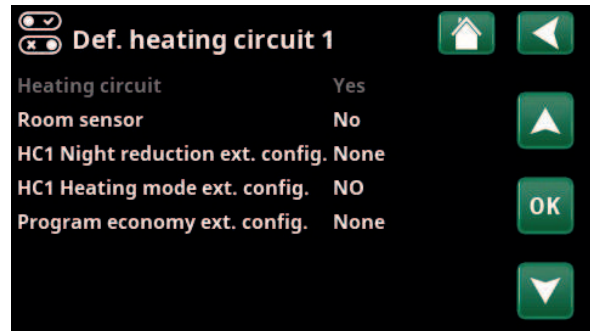
When using a wood burning stove or fireplace sporadically, the fire can influence the room sensor to lower the temperature of the heating circuit and other parts of the house can become cold. The room sensor can then be temporarily switched off. The heat pump then provides heat to the heating circuit according to the set heating curve. The radiator thermostats are throttled in the part of the house where the fire is burning.

If the room sensor has not been installed, the heating must be set according to the chapter "House heating setting".

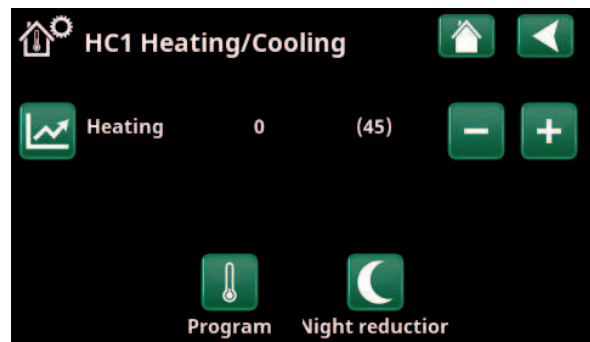
16.3.6 Outdoor sensor/room sensor errors

If a fault occurs with an outdoor sensor, the product triggers an alarm and an outdoor temperature of -5 °C is simulated so that the house does not get cold.

If a fault occurs with a room sensor, the product triggers an alarm and automatically switches to operating according to the set curve.



Menu "Installer/Define/Heating circuit/Heating circuit 1".



Menu "Installer/Define/Heating circuit/Heating circuit 1". The heating circuit does not have a room sensor, the setpoint is shown in brackets (primary flow temperature 45 °C). To the left of the setpoint is the outdoor temperature (0 °C) at the current primary flow temperature.



16.3.7 Night reduction in temperature

Night reduction means lowering the indoor temperature, either via remote control or during scheduled periods.

In the menu "HC Night reduction" menu, the periods during the week for night temperature reduction can be scheduled.

The "Night reduction" icon in the "Heating/Cooling" menu only appears if a "Weekly Program" has been defined for the heating circuit in the "Installer/Define/Remote control menu".

The "Weekly Program" chapter describes how to set schedules.

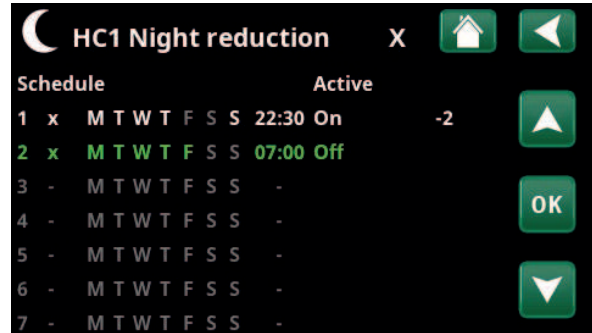
The value by which the temperature is lowered during the period is set in one of the following menus.

Room sensor installed:

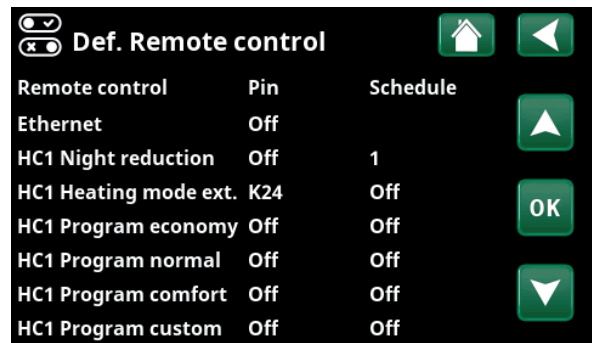
"Installer/Settings/Heating circuit/Room temperature lowered Holiday °C".

Room sensor not installed:

"Installer/Settings/Heating circuit/Primary flow lowered Holiday °C" The set temperature reduction also applies when using a remote control for night reduction.



The weekly program has been set for "Night Reduction" to be active weekdays between 22:30 and 07:00, except during the night between Friday and Saturday and the night between Saturday and Sunday (when no night reduction occurs).



Menu: "Installer/Define /Remote Control".

The "HC1 Night Reduction" function is assigned to Weekly Program #1.



16.3.8 Holiday

You use this option to set the number of days that you want the set temperature to be consecutively reduced. For example, if you want to go on holiday.

The value by which the temperature is lowered during the period is set in one of the following menus.

Room sensor installed:

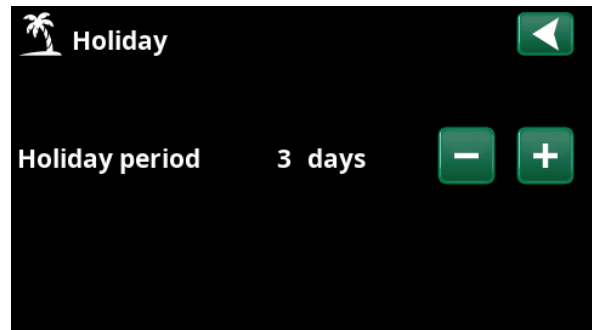
"Installer/Settings/Heating circuit/Room temperature lowered Holiday °C".

Room sensor not installed:

"Installer/Settings/Heating circuit/Primary flow lowered Holiday °C".

Holiday reduction is enabled from the time of setting (press the plus (+) symbol).

Up to 300 days can be set.



When holiday is enabled, hot water production is stopped. The "Temporary extra DHW" feature is also stopped.

When both "Night Reduction" and "Holiday Reduction" are in use, "Holiday Reduction" supersedes "Night Reduction".



16.4 DHW

This menu is used to set the hot water comfort level and "Extra DHW".

Extra DHW

The "Extra DHW" function can be activated here. When the function is activated (by setting the number of hours using the plus sign in the "Hot Water" menu), the heat pump immediately starts to produce extra DHW. It is also possible to remotely control or schedule hot water production according to specified times.

DHW mode

You set the values for this option which apply to the heat pump's normal operation. There are three modes:



Economy

For low hot water needs.
(Factory setting stop temperature DHW tank: 50 °C).



Normal

Normal hot water needs.
(Factory setting stop temperature DHW tank: 55 °C).



Comfort

For high hot water needs.
(Factory setting stop temperature DHW tank: 58 °C).

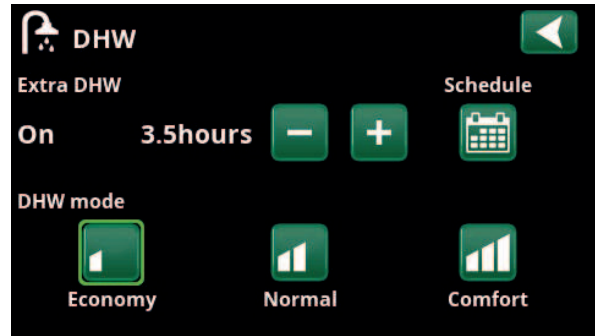
16.4.1 Extra DHW

You can use this menu to schedule periods during weekdays when you want extra DHW. This schedule is repeated every week.

The stop temperature for Extra DHW is 60 °C (factory setting).

The "Weekly Program" chapter describes how to set schedules.

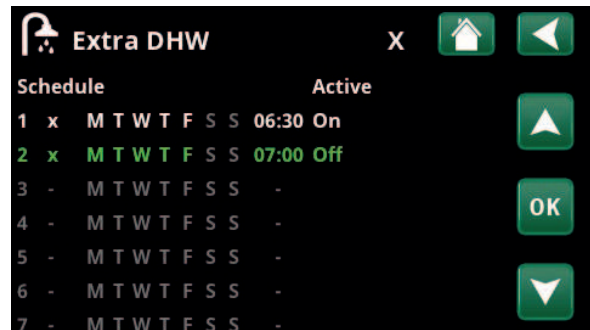
Click the "Extra DHW" heading to obtain a graphical overview of when the weekly program is active during weekdays.



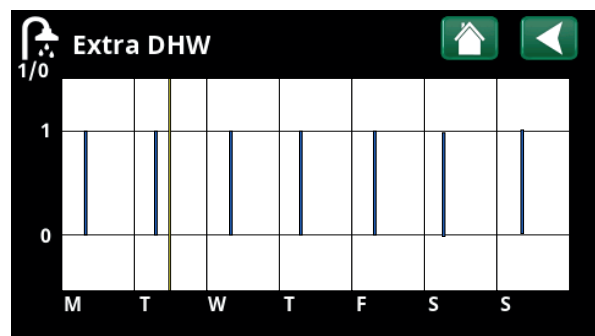
The "Extra DHW" function is set to be active for 3.5 hours.

Tip: Set the time approx. 1 hour earlier than when you need the hot water as it may take some time to heat.

Tip: Set to "Economy" mode from the start. If the hot water is deemed insufficient, raise to "Normal" mode, and so on.



The "Extra DHW" function is set to be active on weekdays between 06:30 and 07:30.



Use the Back button to switch between settings and preview. A vertical blue bar indicates when "Extra DHW" is active. A horizontal yellow line indicates the current time. The X axis represents the days, Monday to Sunday.



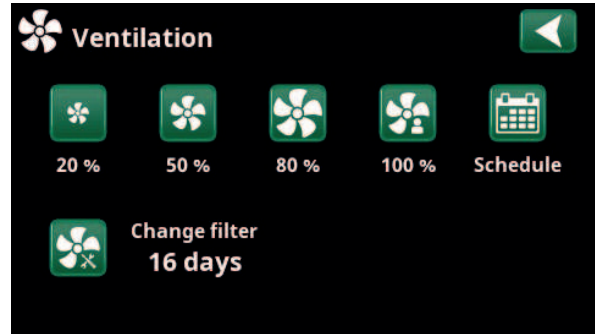
16.5 Ventilation

If the system includes a separate ventilation unit (defined in the "Installer/Define/Ventilation" menu), one of the ventilation modes represented by the four fan symbols can be selected and the defined ventilation modes can be scheduled in the "Ventilation" menu.

The exhaust fan speed (10%-100%) for the four ventilation modes ("Reduced", "Normal", "Forced" and "Custom") can be set in the menu "Installer/Settings/Ventilation".

Scheduling is possible for all ventilation modes. Refer to the "Weekly Program" chapter to learn about programming schedules.

For more information on the CTC EcoVent ventilation product, refer to the "Installation and Maintenance Manual".



Menu: "Ventilation".

16.6 Weekly program

In a weekly program (designated "Program" in the display menus), the periods can be set for when a function should be active or inactive during the weekdays.

The system does not allow certain functions to be active at the same time according to the same weekly program; for example, the "Night Reduction" and "Extra DHW" functions, but most functions can share the same weekly program.

If multiple functions share the same weekly program, changes to the weekly program of one function will incur the same changes for other functions sharing the weekly program.

An "X" is displayed to the right of the weekly program heading if the same weekly program is shared by another remotely controlled function.

Click the weekly program heading to see a graphical overview of when the weekly program is active during the weekdays.

16.6.1 Defining a weekly program

In this example, a night temperature reduction of heating circuit 1 (HC1) is programmed.

A weekly program must first be defined in the "Installer/Define/Remote control" menu.

Set a weekly program (1-20) in the "Program" column in the "HC1 Night Reduction" row using the arrow keys, or click where the cursor is in the example.

16.6.2 Setting a weekly program

A weekly program can be set for most remotely controlled functions in the menus under "Installer/Settings".

However, schedules for "Night reduction", "Extra DHW" and "Ventilation" can only be accessed via the start menu.

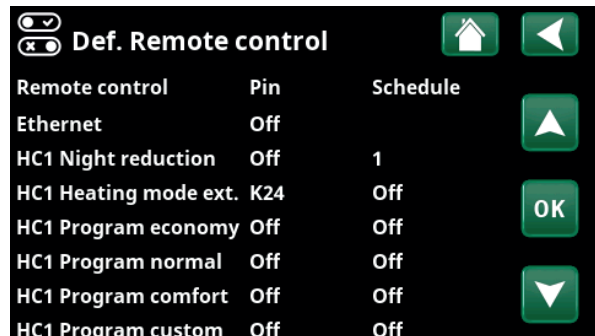
The schedule includes 30 rows and a setting can be made in each row. For example, in one row you can set the date and time for the function to activate, and the time the function should deactivate in the row below.

In the example, "Night reduction" for heating circuit 1 has been set to be "On" from 22:30 to 07:00 on weekdays, except for weekends (Friday and Saturday nights).

The second row is highlighted green, which means that row is active at the current time.

Schedule **Active**
(Active/Inactive/Restore factory settings)

Activate the weekly program by placing it in "Active" mode. It is also possible to restore factory settings.

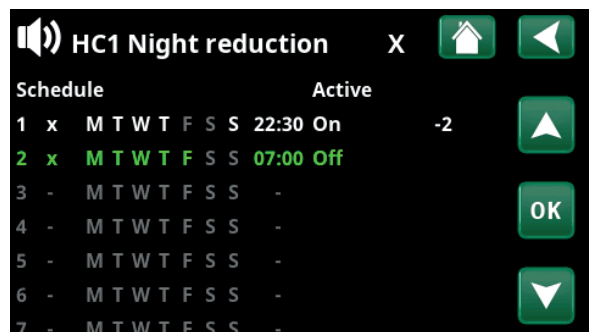


Menu: "Installer / Define / Remote Control".

The "HC1 Night Reduction" function is assigned to Weekly Program #1.



Click on the "Night Reduction" icon in the heating circuit "Heating/Cooling" menu to set the weekly program.



The weekly program has been set for "Night Reduction" to be active weekdays between 22:30 and 07:00, except during the night between Friday and Saturday and the night between Saturday and Sunday (when no night reduction occurs).

16.6.3 Editing a weekly program

Go down to the first row and press "OK" to enable editing mode.

Time

Use the arrow keys to change the time (hours and minutes, respectively).

Day by day

Use the arrow keys (up arrow /down arrow) to mark active days in bold.

Action Off (On/Off)

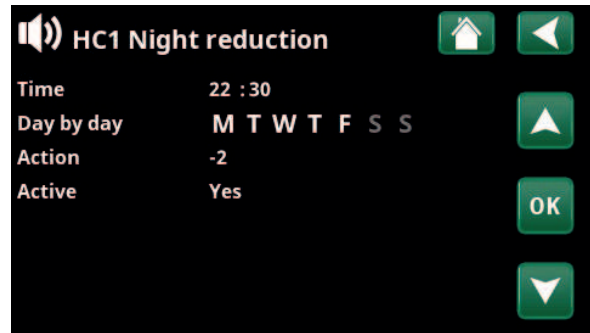
This normally indicates whether the row will switch the function "On" or "Off".

However, for the "Night Reduction" and "SmartGrid Schedule" functions, the following applies:

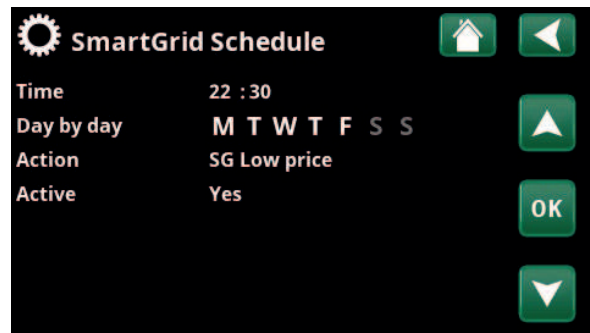
- In the weekly program for "Night Reduction", the temperature reduction that will apply during the period is specified in °C here instead. When a temperature is specified (setting range -1 to -30 °C), the status of the row automatically switches to "On".
- When setting a "SmartGrid schedule", the SmartGrid function (SG Block., SG Low price and SG Overcapacity) is specified in the "Action" row. The status of the row automatically switches to "On".

Active Yes (Yes/No)

"Yes" means that the row is activated.



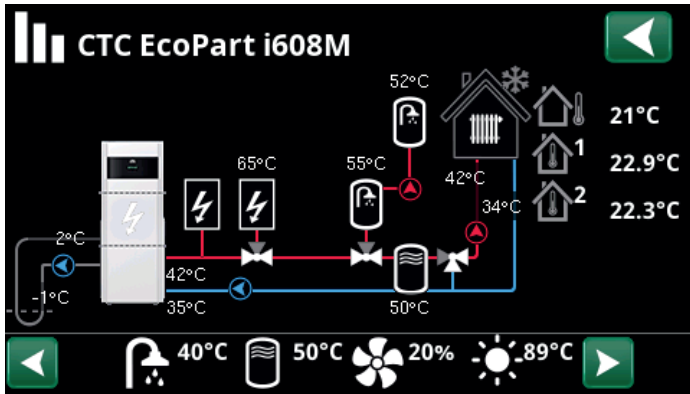
Setting the Night Reduction (-2 °C), weekday nights.



The SmartGrid function "SG Low Price" is scheduled for weekdays 22:30-06:00. Go to the menu by selecting "SmartGrid weekly program" in the "Installer/Settings" menu.



16.7 Operation data



i The operation values shown in the menu screenshots in this chapter are only examples.

Main menu page for "Operation data" with CTC EcoPart i600M connected in series with one or more liquid-to-water heat pump(s), CTC EcoPart, and one or more air-to-water heat pump(s), CTC EcoAir. When the pumps are in operation, the pump icons also rotate on screen.



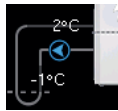
Outside temperature

Measured temperature, outdoor sensor.



Indoor temperature

Shows the room temperature for defined heating circuits (room sensors 1 and 2).



Brine temperature

Current temperature (2 °C) of the brine from the collector in the heat pump and return temperature (-1 °C) of the brine back into the collector hose.



Heating circuit

Current primary flow temperature (42 °C) to the house is shown on the left. Current return temperature (34 °C) is shown below.



Heat pump, air-to-water

The air-to-water heat pump is connected and defined for the circuit. The in and out temperatures of the heat pump are shown on the right.



Heat pump, liquid-to-water

The liquid-to-water heat pump is connected and defined for the circuit. The in and out temperatures of the heat pump are shown on the right.

The icon bar at the bottom of the menu page displays icons for additional functions or subsystems that have been defined.

Scroll using the arrows or swipe in the list if not all the icons fit on the page.



Ventilation



Pool



Solar panels



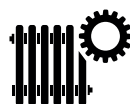
DHW



History



Additional heat



The gear icon is a shortcut to "Settings" for the respective part.



16.7.1 Operation data, Control unit

The menu shows general operating data.

Status DHW

Shows the different operating conditions of the system, see table below. NOTE! In a system with several heat pumps, each heat pump can have a different status. See "Status Heat pump" for current status.

Cooling tank °C* 0 (0)

Shows current temperature (and setpoint) in the cooling tank.

Current L1/L2/L3 A 0.0 / 0.0 / 0.0

Displays current in phases L1-L3 if current sensor installed. If not configured, only the highest value phase is displayed.

Degree minute -61

Shows current heat loss in degree minutes.
Applies to System Types 1-3.

Delay additional heat* 180

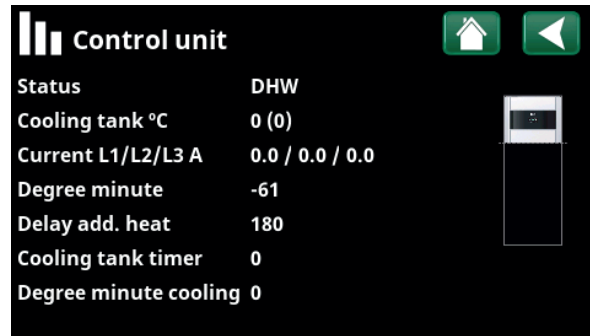
The menu displays the required delay in minutes of subnormal temperature in the buffer tank before additional heat E1 is started.
Applies to System Types 4-6.

Cooling tank timer* 0

Shows active delay (minutes) before cooling can be produced during heat production.

Degree minute cooling** 0

Shows the current deficit of cooling in the heating system (measured in degree minutes).
Applies to System Types 4-5.



Menu Operation Data/Control Unit.

* The menu bar is displayed if active cooling is defined and when selecting "No" on the menu bar "Common Heating/Cooling buffer" in the menu "Installer/Define/Cooling".

** The menu bar is displayed if active cooling is defined and when selecting "No buffer" on the menu bar "Common Heating/Cooling buffer" in the menu "Installer/Define/Cooling".

| Control unit status | |
|---------------------|--|
| DHW | DHW is produced. |
| HC | Heat is produced for the heating circuit (HC). |
| Cooling | Cooling is produced for the heating circuit (HC). |
| Wood | Only shown for System Type 1. Shown if the wood boiler is producing heat. Wood operation is activated when the flue gas temperature exceeds the set value and the temperature is equal to or above its reference value (setpoint). When wood operation is active, the heat pump or additional heat is not used for heating. Wood operation is also activated when the primary flow sensor (B1) is 10 °C above the setpoint. |
| Heating-Mixing | Heat is produced for the heating circuit (HC). Mixing valve Y1 works according to the setpoint of the primary flow sensor. If the boiler temperature is 10 °C higher than the primary flow setpoint, mixing valve Y1 will begin to adjust down to this temperature. |
| DHW+HC | DHW and heat are produced for the heating circuit (HC). |
| Off | No heating takes place. |



16.7.2 Operation data, Heating circuit 1-*

The operation values shown in the menu screenshots are only examples.

Click on a heating circuit to see more detailed operation data in a new menu window.

Mode **Custom**

Shows the active DHW program.

Status **Heating**

Shows the operational status of the heating circuit. See the table below.

Primary flow °C **42 (48)**

Shows the temperature supplied to the current heating circuit and the setpoint in brackets.

Return flow °C **34**

Shows the temperature of the water returning from the heating circuit to the heat pump.

Room temp. °C **21 (22) (25)**

Shows the room temperature for the heating circuit if room sensor installed. In brackets, the setpoint is shown for the "Heating" and "Cooling" status.

Radiator pump **Off**

Shows the operational status of the radiator pump ("On" or "Off").

Mixing valve **Open <50%**

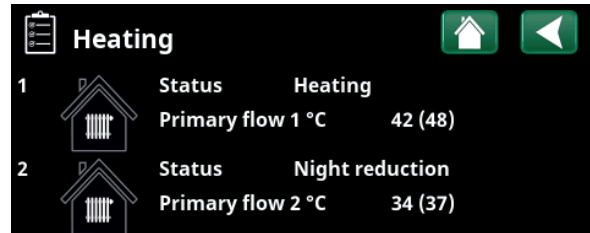
Shows whether the mixing valve "opens" or "closes" the heating or cooling flow to the heating circuit and when the mixing valve is in position "<50%" or ">=50%".

Which mixing valve is meant depends on whether heat or cooling production is defined and how cooling has been defined.

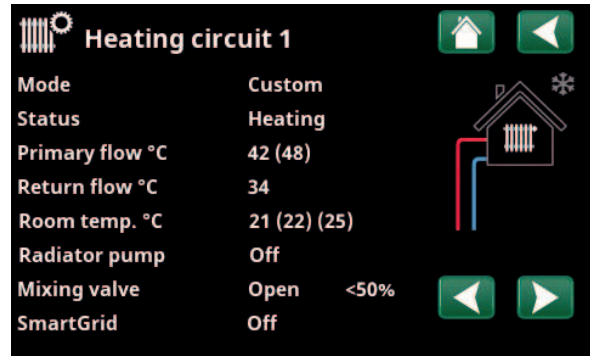
This menu bar is displayed for System Types 4-6 or if additional heat is connected via mixing valve Y1.

SmartGrid **Off**

Shows the status of the SmartGrid functions for the selected heating circuit.



"Operation data, heating circuit" menu. The menu shows the current temperatures and status of defined heating circuits.



The menu shows detailed operation data for the selected heating circuit. Click the arrows or swipe in the menu to view defined heating circuits.

**The number of possible heating circuits or heat pumps that can be connected to the system varies depending on the control system.*

| Heating circuit status | |
|------------------------|--|
| Heating | Heat is produced for the heating circuit. |
| Cooling | Cooling is produced for the heating circuit. |
| Holiday | "Holiday reduction" of room temperature is active. For more information, refer to the "Heating/Cooling" chapter. |
| Night reduction | "Night reduction" of room temperature is active. For more information, refer to the "Heating/Cooling" chapter. |
| Off | No heating/cooling produced. |

16.7.3 Heat pump status*

This menu appears when several heat pumps have been defined.

Status HP **On, DHW**
Heat pumps (EcoAir, EcoAirM, EcoPart, EcoPartM, EcoPart i600M or CombiAir) may have statuses according to the table below.

HP in/out °C **35.2 / 42.5**
Shows in/out temperatures from the heat pump.

Brine in/out °C **4.2 / 1.2**
Shows in/out temperatures of the brine.

Shown for liquid-to-water heat pumps.



Liquid-to-water heat pumps:

CTC EcoPart i600M and:

EcoPart = CTC EcoPart 400

EcoPartM = CTC EcoPart 600M



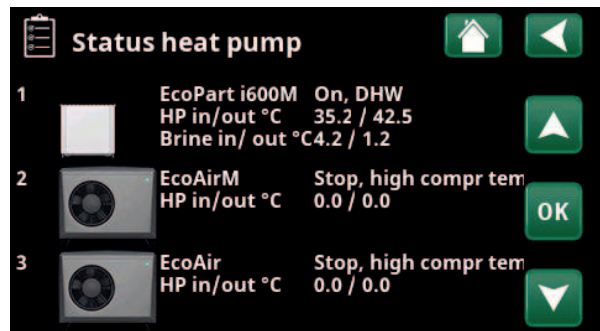
Air-to-water heat pumps:

EcoAir = CTC EcoAir 400

EcoAirM = CTC EcoAir 500M/600M



CombiAir = CTC CombiAir 6-16M



The menu shows the status and operating temperatures of defined heat pumps.

**The number of possible heating circuits or heat pumps that can be connected to the system varies depending on the control system.*

| Status heat pump | |
|------------------------|--|
| Blocked in menu | The heat pump's compressor is "Blocked" in the "Installer/Settings/Heat Pump/Heat pump 1" menu*. |
| Communication error HP | The control unit cannot communicate with the heat pump. |
| On, DHW | The heat pump heats the DHW tank. |
| Off, start delay | The heat pump's compressor is off and is prevented from starting due to the start delay. |
| Off, start ready | The heat pump's compressor is off but ready to start. |
| Flow on | Displayed if there is flow in the charging coil. |
| On, cooling | The heat pump is producing cooling for the heating circuit |
| On, heating | The heat pump is producing heat for the heating circuit. |
| Defrost | The heat pump defrosts. Displayed for air-to-water heat pumps: |
| Blocked | The heat pump has stopped due to a temperature or pressure that has exceeded its maximum value. |
| Off, alarm | The compressor is off and gives an alarm signal. |
| Stop, tariff | The compressor is blocked due to the remote control function being active. |



16.7.4 Operation data, Compressor HP

Status **On, heating**

Shows the status of the heat pump. Refer to descriptions of status modes in the "Status, heat pump" menu.

Model **EcoPart i600M**

Shows the heat pump model.

Compressor **65rps R**

Shows the compressor speed. "R" stands for "Reduced Mode" (for example, during "Silent Mode").

Charge pump **On 50%**

Shows operating status of the charge pump ("On" or "Off") and the flow in percent (0-100).

Brine pump **On 50%**

Shows operating status of the brine pump ("On" or "Off") and the speed in percent.

This menu bar is displayed for liquid-to-water heat pumps.

Brine in/out °C **4.0 / 1.0**

This shows the brine pump's incoming and outgoing temperatures.

This menu bar is displayed for liquid-to-water heat pumps.

Fan **On 80%**

Shows operating status of the fan ("On" or "Off") and the fan speed in percent.

This menu bar is displayed for air-to-water heat pumps.

HP in/out °C **35.0 / 42.0**

Shows the heat pump's incoming and outgoing temperatures.

Outgoing temperature °C **3.5**

Shows outgoing temperature.

This menu bar is displayed for air-to-water heat pumps.

Current A **9.8**

This menu bar is displayed depending on heat pump model.

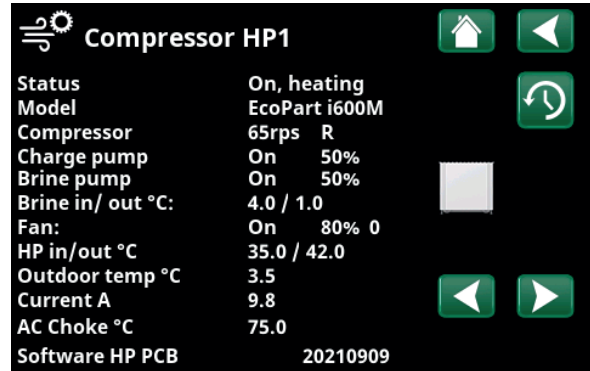
AC choke °C **75.0**

Shows the temperature of the heat pump AC choke.

This menu bar is displayed for liquid-to-water heat pump EcoPart 600M/EcoPart i600M.

Software HP PCB **20210909**

Shows the heat pump software version.



The menu shows detailed operation data for the selected heat pump. Click the arrows or swipe in the menu to view defined heat pumps.



16.7.5 Stored operation data

This menu shows cumulative operation values.

The historical operation data presented varies depending on the language choice.

Total operation time h **3500**

Shows the total time the product has been powered.

Max primary flow °C **51**

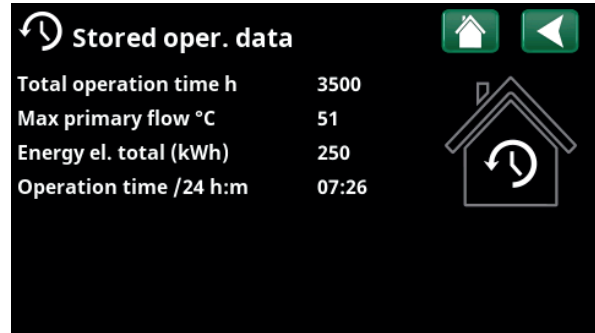
Shows the highest temperature that has been supplied to the heating circuit.

Energy el. total (kWh) **250**

Shows how much additional heat has been used.

Operation time /24 h:m **07:26**

Shows total operating time during the last 24 hours.



Menu: "Operation data/Stored operation data"



16.7.6 Operation data, Additional heat (E1-E3)

The menu shows additional heat sources (E1-E3) defined in the "Installer/Define/System Type" menu. E2 is the internal additional heat (electric heater) in the CTC EcoPart i600M. This is always predefined.

When additional heat is active, the lightning flash in the icon shines red.

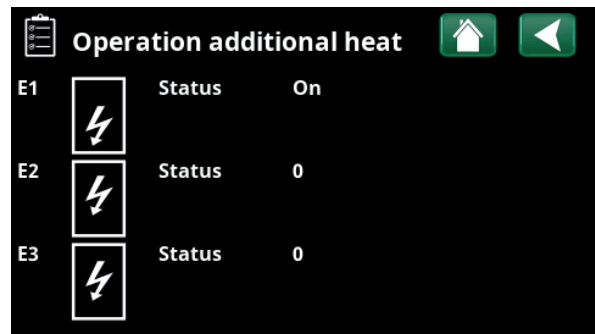
Select additional heat (E1-E3) for detailed operation data.

System status **DHW**

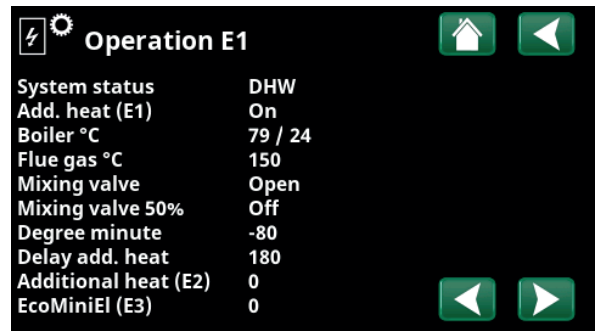
Shows the various operational statuses of the system. See table below.

Additional heat (E1) **On**

Shows the operating mode ("On" or "Off") for additional heat.



The menu is displayed if you click on the additional heat icon in the icon list at the bottom of Operation data/Start menu. Click additional heat (E1-E3) to view detailed "Operation Data".



"Operation Data E1" menu. Click the arrows or swipe in the menu to view defined additional heat sources.

| Control unit status | |
|---------------------|---|
| DHW | DHW system charging. |
| HC | Heating circuit charging. |
| Wood | Wood operation active. Only shown for System Type 1. |
| Heating-Mixing | Refer to the "Operation Data/Control System" chapter. Applies to System Type 1. |
| DHW+HC | DHW is produced and heat is produced for the heating circuit (HC). |
| Off | No heating takes place. |

Boiler °C**79 / 24**

Shows the boiler temperature and the temperature that is mixed out of the boiler.

Applies to System Type 1.

For status "DHW", the setpoint is shown in brackets, e.g. "24 (55)", in the following cases:

- DHW operating mode has been set ("Normal", "Economy" or "Comfort").
- In the "Installer/Define/System Type" menu, the heat pump(s) must be defined in the "Heat pumps for DHW" row.
- The heat pump in the "Installer/Define/Heat pump" menu must be set to "On".

Flue gas °C**150**

Shows the temperature of the flue gas flow if wood operation is active.

Applies to System Type 1.

Mixing valve**Opens**

Displayed if the mixing valve for additional heat "opens" or "closes".

Mixing valve 50%**Off**

"On" means that the 4-way bivalent mixing valve is open to at least 50%.

Applies to System Type 6.

Degree minute**-80**

Shows the current degree minute calculation for the additional heat source.

Applies to System Types 1-3.

Delay additional heat**180**

The menu displays the required delay in minutes of subnormal temperature in the buffer tank before additional heat E1 is started.

Applies to System Types 4-6.

Additional heat (E2)**0**

Shows the output of the electric heater.

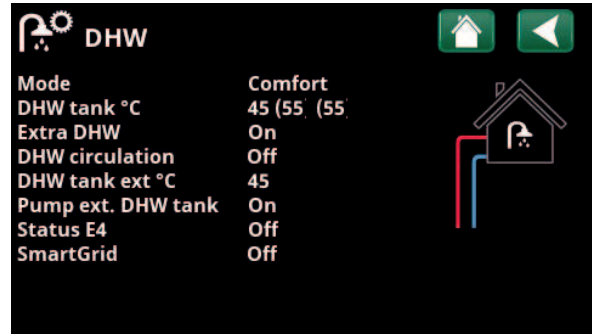
EcoMiniEl (E3)**0**

Shows the number of output stages (1-3) for additional heat E3 that are active.



16.7.7 Operation data, DHW

| | |
|--|---------------------|
| Mode | Comfort |
| Shows the active DHW program. | |
| DHW tank °C | 45 (55) (55) |
| Shows the current temperature in the DHW tank and the setpoint (in brackets) for heat pump operation and during additional heat operation. | |
| When the Legionella protection function is active, "L" is displayed after the temperature values. | |
| Extra DHW | On |
| "On" means the "Extra DHW" function is active. | |
| DHW circulation | Off |
| "On" means the "DHW circulation" function is active. | |
| External DHW tank °C | 45 |
| Shows the temperature in the external DHW tank (if defined). | |
| When the Legionella protection function is active, "L" is displayed after the temperature value. | |
| Pump ext. DHW tank | On |
| Displays the status ("On"/"Off") of the charge pump for the external DHW tank (if defined). | |
| Status E4 | Off |
| Shows the operational status for additional heat E4 in the DHW tank. | |
| SmartGrid | Off |
| The status of the SmartGrid functions for DHW is shown here. | |

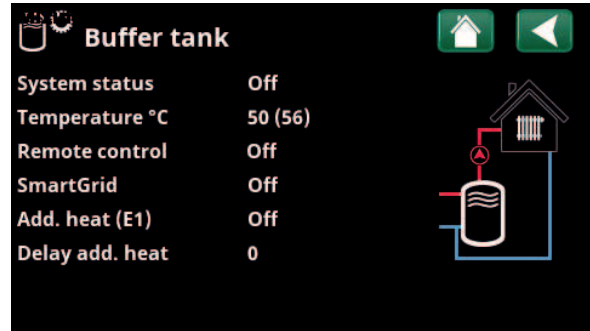


"Operation Data/DHW" menu.



16.7.8 Operation data, Buffer tank

| | |
|--|----------------|
| System status | Off |
| Shows the various operational statuses of the system. See table below. | |
| Temperature °C | 50 (56) |
| Shows the temperature in the buffer tank and the setpoint that the system is working to achieve. | |
| Remote control | Off |
| "On" means that buffer tank heating is taking place because the weekly program or external control is activated. | |
| SmartGrid | Off |
| The status of the SmartGrid functions for Buffer Tank (Off / SG Low Price / SG Overcapacity) is shown here. | |
| Additional heat (E1) | Off |
| Here you can see if the additional heat is "On" or "Off". | |
| Delay additional heat | 0 |
| Here you can see the time (minutes) before the additional heat (E1) goes to the "On" position. | |



"Operation Data/External Buffer Tank" menu.

| Status buffer tank | |
|--------------------|---|
| DHW | The heat pump charges the DHW system |
| HC | The buffer tank charges the heating system. |
| Wood | Wood operation active. Only shown for System Type 1. |
| Heating-Mixing | Refer to the "Operation Data/Control System" chapter. Applies to System Type 1. |
| DHW+HC | Wood boiler producing hot water (DHW) and heat for the heating circuit (HC). |
| Off | No heating takes place. |



16.7.9 Operation data, Solar panels

This menu is displayed if "Solar Panels" have been defined in the "Installer/Define/Solar Panels" menu.

Status Charging DHW

Shows status of solar panels. See table below.

Outgoing temperature, solar panels °C 68

Shows the outgoing temperature from the solar panels.

Incoming temperature, solar panels °C 60

Shows the incoming temperature to the solar panels.

Pump Panel % 46%

This shows the actual percent of maximum capacity for the circulation pump.

Pump Solar Charge % 46%

This shows the actual percent of maximum capacity for the circulation pump.

Valve Solar charge Tank DHW

This indicates whether the DHW tank or buffer tank is being charged.

Charge pump brine loop Off

This shows the operating mode for the pump ("Off" or "On") for recharging the bedrock/ground.

Valve charge brine loop Off

This shows the operating mode for the valve ("Off" or "On") for recharging the bedrock/ground.

Energy output (kWh) 0

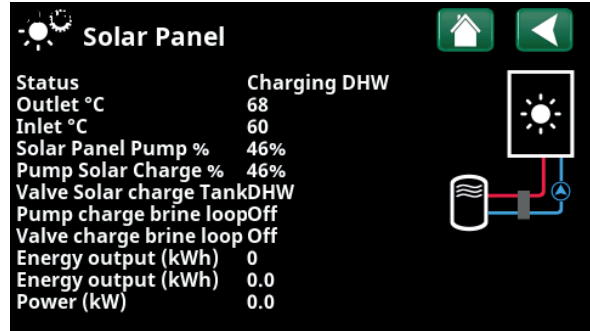
Shows total (estimated) energy output.

Energy output /24h (kWh) 0.0

Shows energy output in the last 24 hours.

Power (kW) 0.0

Shows current power output.



"Operation Data/Solar Panels" menu.

| Status, solar panels | |
|---------------------------|--|
| Solar panels Off | Solar panels are in operating mode "Off". |
| Boiler | Solar panels charging the wood boiler. |
| Charging DHW | Solar panels charging the DHW system. |
| Buffer tank | Solar panels charging the buffer tank. |
| Vacuum panel test | Circulation through the solar panels is started temporarily to check the panels' outgoing temperature. |
| Recharging bedrock/ground | Solar panels recharging the bedrock/ground. |



16.7.10 Operation data, Pool

This menu is displayed if the "Pool" has been defined in the "Installer/Define/Pool" menu.

Status **Off**

Shows the current operating status ("On", "Blocked" or "Blocked Externally").

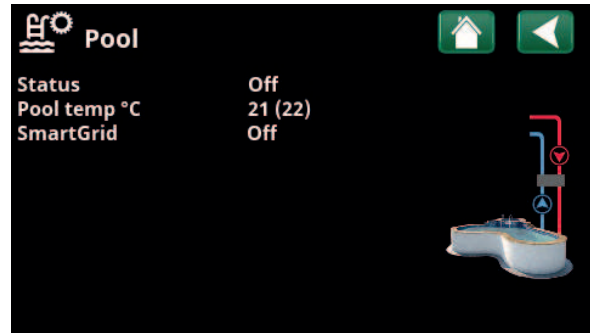
- "Blocked" means that pool heating has been blocked from the "Installer/Settings/Pool" menu.
- "Blocked ext." means that the pool is externally blocked via remote control or weekly program.

Pool temp °C **21 (22)**

Shows the temperature in the pool and the setpoint that the system is working to achieve.

SmartGrid **Off**

The status of the SmartGrid functions for pool is shown here.



"Operation Data/Pool" menu.



16.7.11 Operation data, Ventilation

This menu is displayed if the "CTC EcoVent" ventilation product has been defined in the "Installer/Define/Ventilation/EcoVent 2x" menu.

For more information, see the Installation and Maintenance Manual for CTC EcoVent.

Mode **Reduced**

Shows the current ventilation mode.

Setting options: Reduced / Forced / Normal / Custom.

Fan **20%**

Fan speed in %.

Highest level RH **40**

Highest measured value for humidity (%).

Displayed if RH sensor from the CTC SmartControl series is installed.

Refer to the Installation and Maintenance Manual for the CTC SmartControl accessory.

Highest CO₂ **550**

Highest measured value for carbon dioxide (ppm).

Displayed if the CO₂ sensor from the CTC SmartControl series is installed.

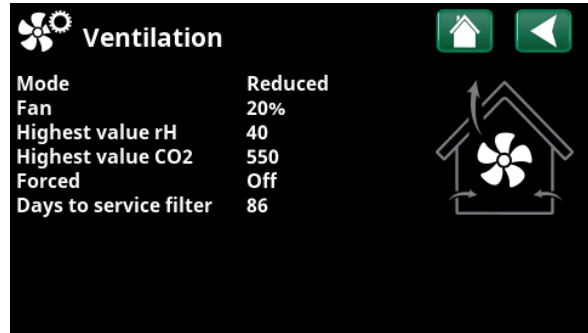
Refer to the Installation and Maintenance Manual for the CTC SmartControl accessory.

Forced **Off**

"On" means the fan enters "Forced" ventilation mode.

Days to service filter **86**

This shows the time in days remaining until the filter change.



Menu: "Operation Data/Ventilation".



16.7.12 Operation data, El.prices

This menu is displayed if "El.prices" has been defined in the "Installer/Define/Communication" menu.

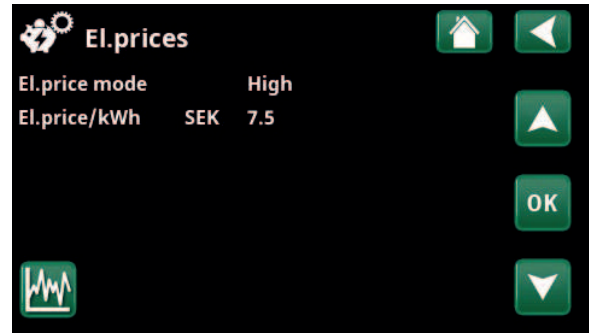
El.price mode **High**

Indicates the current price category ("High", "Medium" or "Low").


El.price/kWh **SEK 7.5**

Indicates the current electricity price in local currency.

Display the "Preview data" graph by clicking the "Graph icon" at the bottom-left of the menu screen.



Menu: "Operation/El.prices".

 For more information and examples of Smart Electricity Price Control/SmartGrid, see the website www.ctc-heating.com/Products/Download.



Installer

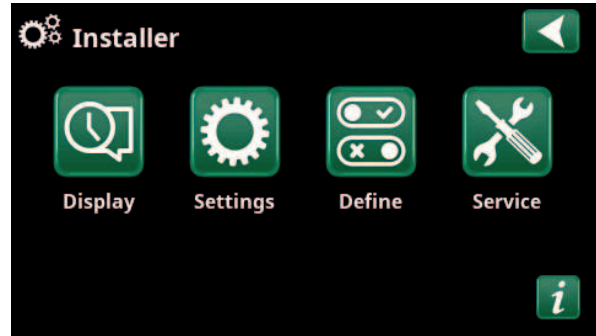
This menu contains four sub-menus:

- Display
- Settings
- Define
- Service

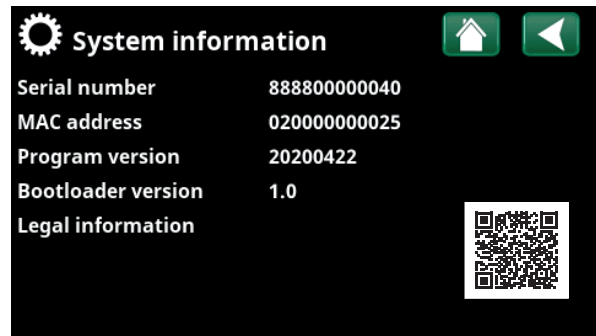


For "System Information", click the "i" button in the lower right corner of the screen in the "Installer" menu. This displays the product serial number, MAC address, and application and bootloader versions. Click "Legal Information" to view information regarding third-party licences.

Scan the QR code with a tablet or smartphone. When your phone/tablet is connected to your local network, the product can be used with your device's touchscreen in the same way as the product's screen.



Menu: "Installer".



Menu: "Installer/System information". To access this menu, click the "i" button in the lower right corner of the "Installer" menu.



16.8 Display

Time, language and other screen settings can be carried out from this menu.



16.8.1 Setting the time

Time and Date

Click on the time symbol. The menu can also be accessed by clicking the date or time in the upper right corner of the start screen.

Press "OK" to highlight the first value and use the arrows to set the time and date.

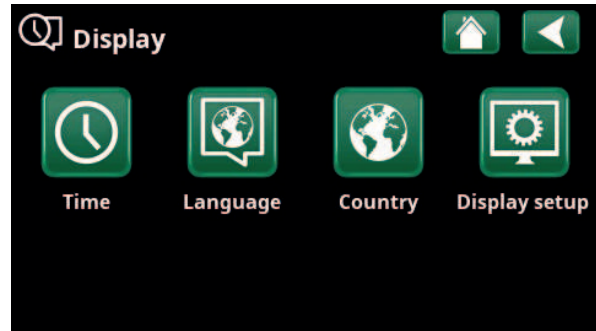
DST (On, Active)

The left value can be set. "On" means the time is adjusted according to Summer Time.

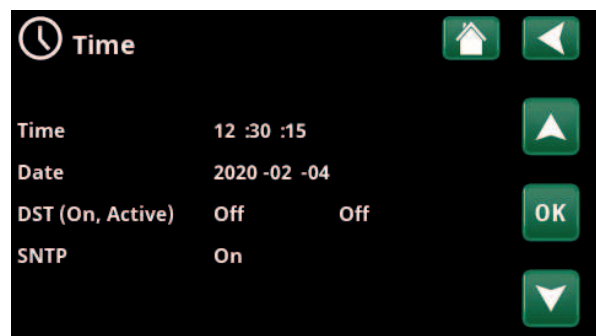
The right value is fixed and shows the current status (for example, "Off" during the winter period). The display does not need to be connected to power for the values to be adjusted, since this occurs at the next start-up.

SNTP

Menu option "On" retrieves the current time from the internet (if online). More settings options can be found in the "Installer/Settings/Communication/Internet" menu.



Menu: "Installer/Display".



Menu: "Installer/Display/Time".



16.8.2 Language

Click a flag to select the language. The language selected is highlighted with a green square. To view more language options than those shown in the menu, scroll down the page, or press the down arrow key.



16.8.3 Country

Click on the "Country" symbol in the "Installer/Display" menu to display selectable countries and regions. The country that is displayed (highlighted in green) depends on which language has been selected.

"English" is the default language setting, which means that "GB United Kingdom of Great Britain and Northern Ireland" is the default country setting.

Select the country where the plant is installed to get correct spot prices. Depending on which country is selected, product-specific factory settings may vary.

"Country" must also be selected to receive correct electricity prices when controlling electricity prices via the myUplink mobile app.



16.8.4 Display setup

Sleep delay 120 (Off, 1...360)

Enter the time in minutes before the display enters sleep mode if not touched. Settings can be applied in 10 min. intervals.

Backlight 80% (10...90)

Set the brightness of the backlit display.

Click sound Yes (Yes/No)

Enable or disable button sounds.

Alarm sound Yes (Yes/No)

Enable or disable alarm sounds.

Time zone, GMT +/- +1 (-12...14)

Set your time zone (relative to GMT).

Lock code 0000

Press "OK" and use the arrows to set a 4-digit lock code. If a lock code is set, it is shown as four stars. You will be prompted to enter the code when the screen is restarted.

NB: Make a note of the lock code for your own reference when you enter it in the menu for the first time.

The serial number of the display (12 digits) can also be entered to unlock the display (enter '0000' + serial number); see chapter "Installer/System Information".

The display can be locked by clicking the product name in the upper left of the start menu, whereupon you will be prompted to enter the lock code.

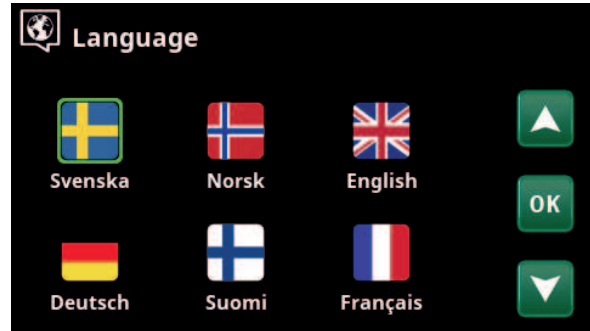
A lock code can be deleted by entering "0000" in this menu instead of the previously specified lock code.

Font size Standard (Small/Standard/Large)

The display's font size can be changed here.

Selection colour 0 (0/1/2)

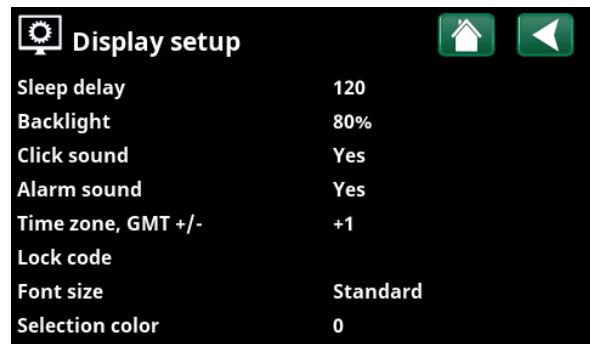
Option to change the cursor background colour for clearer selection according to the light conditions.



Menu: "Installer/Display/Language".



Menu: "Installer/Display/Country".



Menu: "Installer/Display/Display Setup".

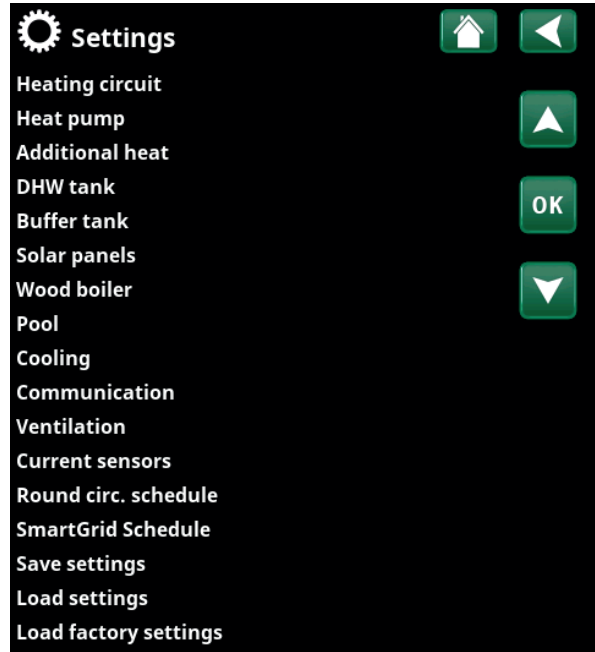


16.9 Settings

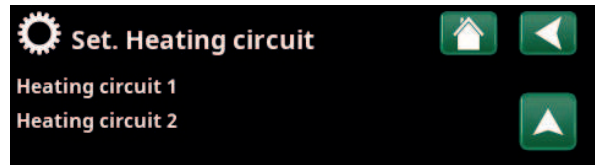
Settings can be made here for, among other things, the house's heating and cooling needs. It is important that the basic heating setting is right for your home. Values which are set incorrectly may mean that your property is not warm enough or that an unnecessarily large amount of energy is being used to heat your property.

16.9.1 Settings Heating circuit*

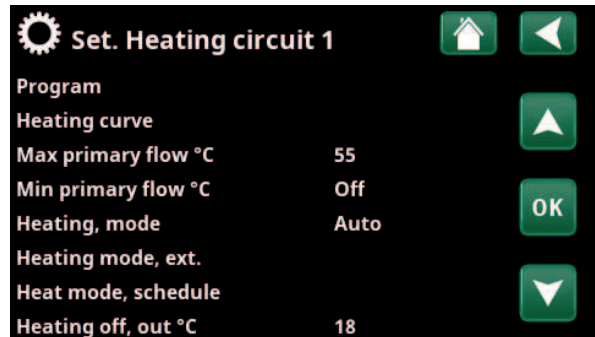
In the "Settings" menu, select "Heating circuit" and then the heating circuit to be set.



Menu: "Installer/Settings".



Part of the "Installer/Settings/Heating Circuit" menu.



Part of the "Installer/Settings/Heating Circuit/Heating Circuit 1" menu.

*CTC EcoPart i600M can control up to four heating circuits.

Program

Press "OK" on the "Program" menu bar to make settings for the "Economy", "Comfort" and "Custom" heating programs. Selected programme is marked with an "X".

To activate a heating program or set a weekly schedule, press the "Program" button from the "Heating/Cooling" menu. See chapter "Control system / heating/cooling".

• Primary flow change °C **-5 (-20...-1)**

The menu bar is displayed if the room sensor is not defined for the heating circuit. Setting "-5" (factory value program "Economy") means that the setpoint of the primary flow is lowered by 5 °C when the program is active.

• Room temp change °C **-2.0 (-5.0...-0.1)**

The menu bar is displayed if the room sensor is defined for the heating circuit. Setting "-2" (factory value program "Economy") means that the set setpoint for room temperature is lowered by 2 °C when the program is active.

• Off delay, min **No (No/10...600)**

Off delay means the time in minutes after the heating program "Economy", "Comfort" or "Custom" has been activated as the heating mode returns to the program "Normal". However, if the "Custom" program is selected later than the "Normal" program, the "Custom" program will apply after the Off delay. The Off delay is adjusted in steps of 10 minutes for each key press (up or down arrow).

"No" means that the selected program will be activated until another heating program is activated.

• SmartGrid Blocking* **Off (Off/On)**

The menu bar is displayed when setting the heating programme "Economy" or "Custom".

"On" means that the heating program is activated when "SmartGrid Blocking" is active.

SmartGrid Low price* **Off (Off/On)**

The menu bar is displayed when setting the heating programme "Comfort" or "Custom".

"On" means that the room temperature is increased according to the setting for "SmartGrid Low price °C" when "SmartGrid Low price" is active.

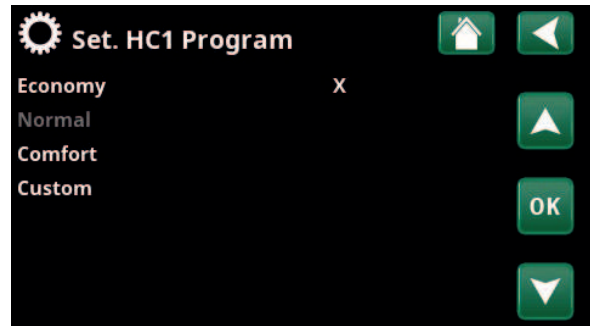
SmartGrid Overcapacity* **Off (Off/On)**

The menu bar is displayed when setting the heating programme "Comfort" or "Custom".

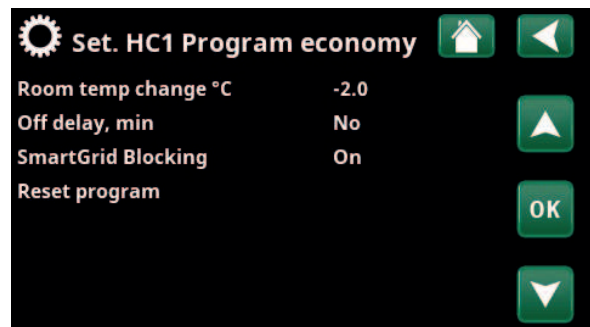
"On" means that the room temperature is increased according to the setting for "SmartGrid Overcapacity °C" when "SmartGrid Overcapacity" is active.

• Reset program

Current program is reset with factory values.



Menu "Installer/Settings/Heating Circuit/Heating Circuit 1/Program".



Menu "Installer/Settings/Heating Circuit/Heating Circuit 1/Program/Economy".

*SmartGrid functions are set in the menu "Installer/Settings/Heating circuit".

Heating curve

The heating curve determines the primary flow temperature (and thus the indoor temperature) to the heating circuit at different outdoor temperatures.

See chapter "House heating curve" for more information on adjusting the heating curve.

Possible choices are "Set. heating curve", "Fine adjustment", "Active curve" and "Copy from ...".

• Set. heating curve

Resets the active heating curve to the factory-set curve (Curve inclination: 50 and Curve adjustment: 0).

The thicker line shows the factory-set curve while the thinner line shows the active heat curve to be reset. Here it is possible to adjust the appearance of the graph by adjusting the curve inclination and curve adjustment with the buttons below the graph. The adjustments you make here affect the entire appearance of the graph, while the changes made under "Fine adjustment" are made one point at a time. Curve inclination is adjusted with the left and right arrows while curve adjustment is adjusted with the up and down arrows.

Confirm with "OK".

• Fine adjustment

The graph of the active heating curve for the heating circuit is displayed. The heating curve can be adjusted in 5 points on the graph. Touch a point (becomes green) to change its position in the x-axis (outdoor temperature) and y-axis (primary flow temperature). Use the up/down/left/right buttons below the graph or press and drag the point.

Below the graph, the outdoor and primary flow temperatures for the selected point are shown.

The heating curve can also be adjusted from the "Heating/Cooling" menu. See chapter "Control system / heating/cooling".

• Active curve

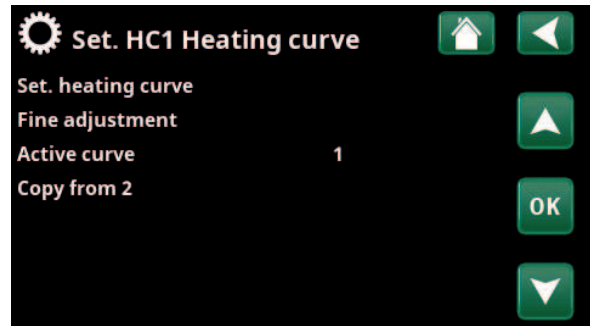
1 (1/2)

This menu bar shows the selected heating curve, it is possible to choose between two different heating curves per heating circuit.

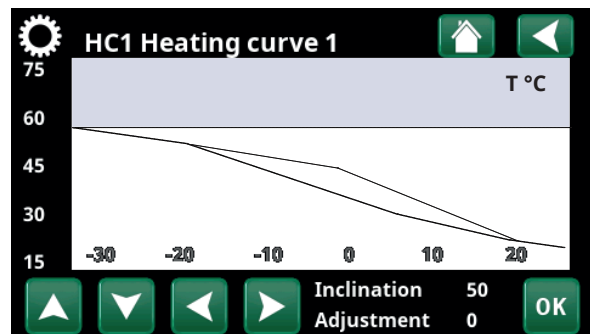
• Copy from 1 (2)

The function "Copy from ..." is useful if you have created two different heat curve graphs but want to restore one graph to the same appearance as the other and then make changes.

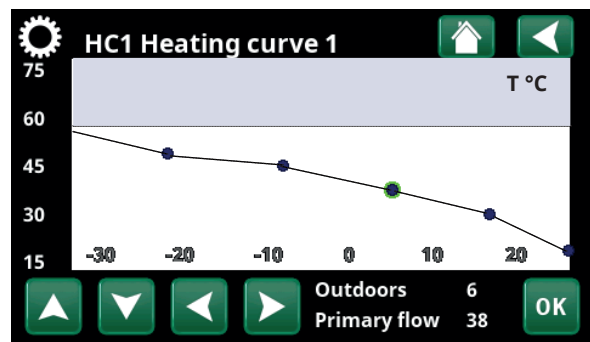
Example: If heat curve 1 is selected as "Active curve", heat curve 1 will have the same appearance as heat curve 2 by selecting the line "Copy from 2" and pressing "OK". The menu bar cannot be selected (marked with gray) when heating curves 1 and 2 have the same values (the graphs look the same).



Menu "Installer/Settings/Heating Circuit/Heating Circuit 1/Heating curve".



Menu "Installer/Settings/Heating Circuit/Heating Circuit 1/Heating curve".



Menu "Installer/Settings/Heating Circuit/Heating Circuit 1/Heating curve/Fine adjustment".

Max primary flow °C 55 (30...80)

Maximum permitted temperature supplied to the respective heating circuit.

Min primary flow °C Off (Off/15...65)

Minimum permitted temperature supplied to the respective heating circuit.

Heating, mode Auto (Auto/On/Off)

Switching between heating season and summer mode can take place automatically (Auto) or a selection can be made here to set the heating to "On" or "Off".

Heating mode can also be selected from the start page by pressing the "Mode" button in the Heating/Cooling menu.

- **Auto** = switching the heating season On and Off carried out automatically.
- **On** = Continuous heating season, the radiator pump circulates constantly.
- **Off** = there is no heating, the radiator pump does not run (is turned over).

Heating mode, ext. On (Auto/On/Off)

The heat mode selected in this menu can be enabled/ disabled externally.

This menu bar is displayed for the current heating circuit if a remote control input or a weekly schedule has been defined for the function.

Read more in the "Def. Remote Control" section of the "Installer/Define/" chapter.

Heat mode, schedule

This menu bar is displayed if a weekly program has been defined for the "HC Heat Mode, ext." function in the remote control menu.

For more information, refer to:

- chapter "Weekly Program" for schedule setting.
- section "Def. Remote Control" of the "Installer/Define" chapter for defining the remote control function.

Heat off, outside °C 18 (2...30)

Heating off, time (min) 120 (30...240)

The menu bars can only be set if the "Auto" mode is selected in the "Heat Mode" menu above. Otherwise, the menu bars are locked (greyed out).

When the outdoor temperature exceeds (or equals) the set value in the "Heating off, outdoor °C" menu during the time (in minutes) set in the "Heating off, time" menu, the production of heat for the house is stopped.

This means the radiator pump stops, and the mixing valve remains closed. The radiator pump is activated daily for a short period to prevent it from jamming. The system restarts automatically when heating is needed.

When the outdoor temperature drops to the limit where heating is needed again, heat to the house is permitted when the temperature falls below (or equals) the set value in the "Heating off, outdoor °C" menu for the number of minutes set in the "Heating off, time" menu.

| | |
|----------------------------------|------|
| Max primary flow °C | 55 |
| Min primary flow °C | Off |
| Heating, mode | Auto |
| Heating mode, ext. | |
| Heat mode, schedule | |
| Heating off, out °C | 18 |
| Heating off, time (min) | 120 |
| Night reduction down to °C | 5 |
| Room temp reduced night red °C-2 | |
| Room temp reduced holiday°C | -2 |
| Prim. flow reduced night red °C | -3 |
| Prim. flow reduced holiday °C | -3 |
| Radiator pump speed | 100 |
| Alarm room temp °C | 5 |
| SmartGrid Low price °C | Off |
| SmartGrid Overcapacity °C | Off |
| SmartGrid Blocking | Off |
| Drying period mode | Off |
| Drying period temp °C | 25 |

Menu: "Installer/Settings/Heating Circuit/Heating Circuit 1".

Night reduction down to °C 5 (-40...40)

When the outdoor temperature is lower than this, the "Night Reduction" function stops since too much energy is consumed and it takes too long to increase the temperature again.

This menu overrides remote control of "Night Reduction".

Room temp reduced, Night red °C -2 (0...-30)

Room temp reduced, Holiday °C -2 (0...-30)

The menus are displayed if room sensors are installed for the heating circuit. The number of degrees by which the room temperature should be lowered during remote-controlled night reduction and during holidays can be set here. Night reduction can also be set periodically; the temperature decrease is then entered in the weekly program.

Primary flow reduced, Night reduction °C -3 (0...-30)

Primary flow reduced, Holiday °C -3 (0...-30)

The menus are displayed if room sensors are not installed for the heating circuit. The number of degrees by which the primary flow temperature for the heating circuit should be lowered during remote-controlled night reduction and during holidays can be set here. Night reduction can also be set periodically; the temperature decrease is then entered in the weekly program.

Heating circ pump speed 100 (Off/1...100)

If radiator pump G1 is connected, this setting will be Off.

The purpose of this menu is to set the speed of the heat pump's charge pump G11.

The menu bar is displayed for System Type 1 as well as System Types 2 and 3 if there is no heat flow.

Alarm room temp °C 5 (-40...40)

If the room temperature is too low (according to the set value), the message "Alarm, low room temp." will be displayed. This menu bar is displayed if the room sensor is connected and defined.

SmartGrid Low Price °C 1 (Off, 1...5)

Setting to increase the room temperature at "Low price" energy price, via SmartGrid.

Both SmartGrid A and SmartGrid B must be defined in the remote control menu for this menu to be displayed.

Read more in the "Remote Control/SmartGrid A/B" section of the "Installer/Define" chapter.

SmartGrid Overcapacity °C 2 (Off, 1...5)

Setting to increase the room temperature at "Overcapacity" energy price, via SmartGrid. This function is not used for electricity price control.

Both SmartGrid A and SmartGrid B must be defined with a remote control input for this menu to be displayed.

Read more in the "Remote Control/SmartGrid A/B" section of the "Installer /Define" chapter.

● If room sensors are installed, the "Room temp lowered..." menu is displayed. If there are no room sensors, the "Primary flow reduced..." menu is displayed.

Example

As a general rule, a "Primary flow reduced" value of 3-4 °C is equivalent to a reduction of approximately 1 °C in room temperature in a normal system.

SmartGrid Blocking

Off (Off/On)

"On" means the heating circuit is blocked at "High" energy price, via SmartGrid. If the outdoor temperature falls below the value set in the "Night reduction down to °C" menu, this function is not activated.

Both SmartGrid A and SmartGrid B must be defined with a remote control input for this menu to be displayed.

Read more in the "Remote Control/SmartGrid A/B" section of the "Installer /Define" chapter.

Drying period mode

Off (Off/1/2/3)

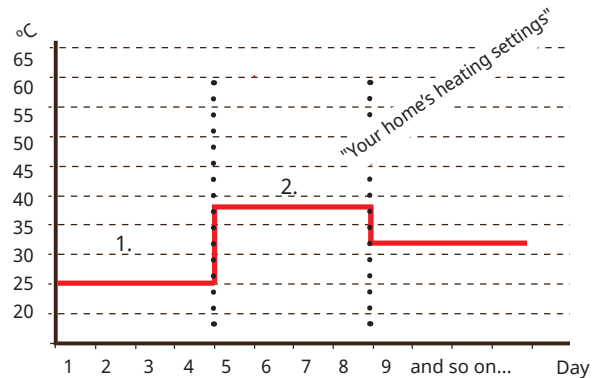
Applies to Heating circuit 1. Drying period for newly-built properties.

The function limits the calculation of primary flow temperature (setpoint) for "Your home's heating settings" to the schedule below.

Mode 1 - Drying period for 8 days

1. The setpoint of the radiator system is set to 25 °C for 4 days.
2. On Days 5-8, the set value in "Drying period temp. °C" is used.

(From Day 9 onwards the value is calculated automatically according to "Your home's heating settings")

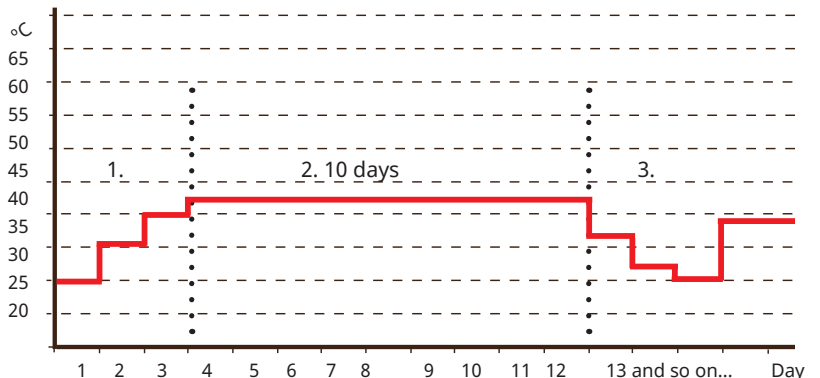


Example: Mode 1 with set value for "Drying period temp °C": 38.

Mode 2 - Drying period for 10 days + stepped increased and decrease

1. Stepped increase start: The setpoint of the radiator system is set to 25 °C. The setpoint is then raised by 5 °C each day until it is equal to the "Drying period temp °C". The final step may be less than 5 °C.
2. Drying period for 10 days.
3. Stepped decrease: After the stepped increase and 10 days at an even temperature, the temperature setpoint is reduced to 25 °C in daily 5 °C stages. The final step may be less than 5 °C.

(Following the stepped decrease and 1 day at the setpoint of 25 °C, the value is calculated automatically according to "Your home's heating settings").



Example: Mode 2 with set value for "Drying period temp °C": 37.

Mode 3

In this mode, the function starts in Mode 1 followed by Mode 2 and lastly by "Your home's heating settings".

Drying period temp °C 25 (25...55)

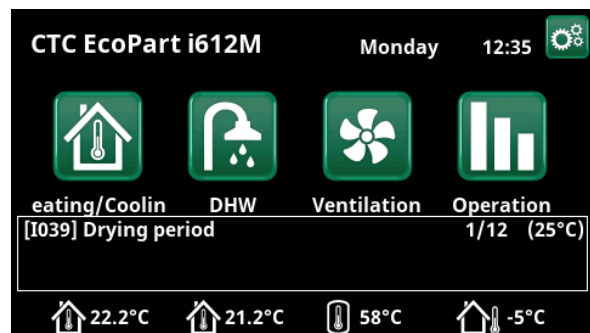
The temperature for Mode 1/2/3 as shown above is set here.

Drying period mode

Off (Off/On)

This menu bar is displayed for Heating Circuit 2 if a heating mode (1-3) is selected in the "Drying period mode" menu above.

The "On" option means that the drying period mode selected for Heating Circuit 1 will also be run for the selected heating circuit.



Example: Drying period temp. day 1 of 12 with current set point of 25 °C.

16.9.2 Settings Heat pump*

Start at degree minute -60 (-900...-30)

The degree minute at which Heat Pump 1 (HP1) will start is entered here. Degree minute calculation is used only for System Types 1, 2 and 3.

Start at degree minute cooling** 60 (30...900)

The degree minute at which the first cold-producing heat pump 1 should start producing cold is entered here.

Applies only to System Types 4 and 5.

Max primary HP diff °C 10 (3...20)

If the actual value for the primary flow is the same as the setpoint plus the set value and the degree minutes are less than the start value for the first heat pump (factory-set to -60), the degree minutes are set to the start value for the first heat pump.

If the actual value for the primary flow is greater than the setpoint plus the set value and the degree minutes are less than 0, the degree minutes are set to 0.

If the actual value for the primary flow is less than or equal to the setpoint minus the set value, the degree minutes are set to the start value for the first heat pump (factory-set to -60).

Applies to System Types 1, 2 and 3.

Max primary HP Add. heat diff °C 14 (5...20)

If the actual value for the primary flow is less than or equal to the setpoint minus the set value, the degree minutes are set to the highest set start value for the peak heat (factory-set to -500).

Applies to System Types 1, 2 and 3.

Diff between comp. -60 (-200...-30)

This menu defines the difference (measured in degree minutes) at which the heat pumps will be started if necessary. During incrementing/decrementing using a smaller heat pump with lower output, half the set value is counted.

Applies to System Types 1, 2 and 3.

Diff between comp. cooling** 60 (30...200)

This menu defines the difference (measured in degree minutes) that cooling-producing heat pumps must, if necessary, start producing cooling. During incrementing/decrementing using a smaller heat pump with lower output, half the set value is counted.

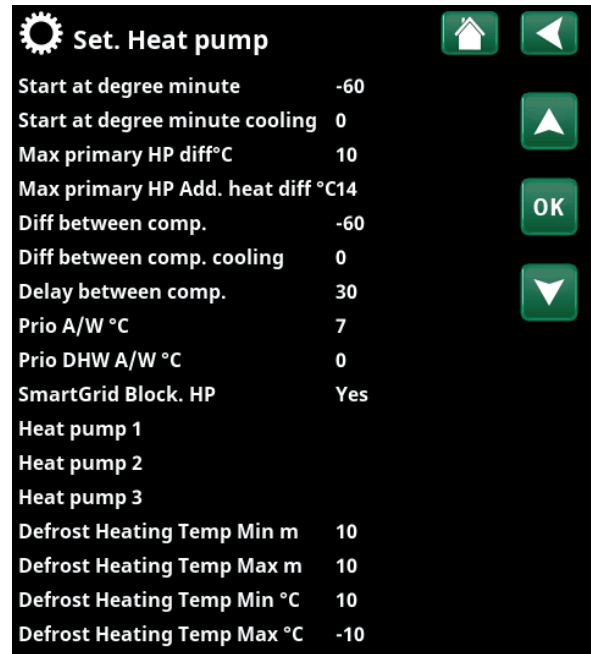
Applies only to System Types 4 and 5.

Delay between comp. 30 (5...180)

The delay time between when two heat pumps can start is set here. This value applies, for example, to the amount of time that will pass before the third heat pump can start, when the first and second heat pumps are operating, and so on.

During incrementing/decrementing using a smaller heat pump with lower output, half the set value is counted.

Applies to System Types 4-6.



Menu: "Installer/Settings/Heat Pump".

* The number of possible heating circuits or heat pumps that can be connected to the system varies depending on the control system.

** The menu bar is displayed if active cooling is defined and when selecting "No buffer" on the menu bar "Common Heating/Cooling buffer" in the menu "Installer/Define/Cooling".

Prio A/W °C **7 (-20...15)**

This temperature setting controls prioritisation during heat production between the air-to-water and liquid-to-water heat pumps if both types are connected to the system. The default value is 7 °C, which means that the air-to-water heat pump is prioritised for outside temperatures from 7 °C and warmer.

Prio DHW A/W °C **7 (-20...15)**

This temperature setting controls prioritisation during DHW production between the air-to-water and liquid-to-water heat pumps if both types are connected to the system. The default value is 7 °C, which means that the air-to-water heat pump is prioritised for outside temperatures from 7 °C and warmer.

SmartGrid Blocking HP **No (No/Yes)**

"Yes" means that the heat pump is blocked when "SmartGrid Blocking" is active.

Heat pump 1-*

Apply settings for each heat pump. Refer to the "Settings/Heat pump 1-" chapter.

Defrost heating temp min m **10 (0...360)**

Set the minimum heating time "Min m" (minutes) for the heating coil in the condensation tray at outdoor temperature T1.

Defrost heating temp max m **10 (0...360)**

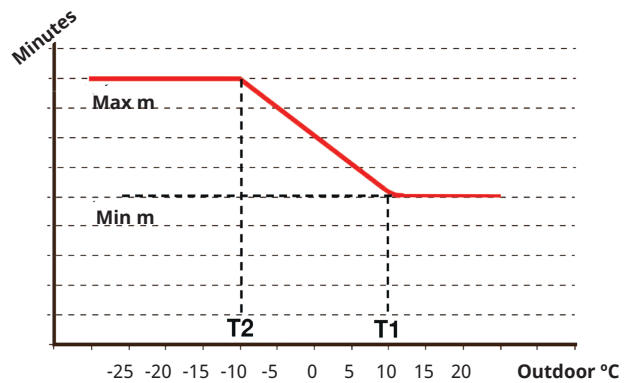
Set the maximum heating time "Max m" (minutes) for the heating coil in the condensation tray at outdoor temperature T2.

Defrost heating temp min °C **10 (-40...40)**

When the outdoor temperature is this or higher (T1), the heating time is regulated down to the value set in the menu "Defrost heating temp min m".

Defrost heating temp max °C **-10 (-40...40)**

When the outdoor temperature is this or lower (T2), the heating time is regulated up to the value set in the menu "Defrost heating temp max m".



The diagram shows that the heating time of the heating coil to the condensation trays is regulated depending on the outside temperature.

When the outdoor temperature is below T2, the heating time adjusts up to "Max m".

When the outdoor temperature exceeds T2, the heating time adjusts down to "Min m".

These temperatures and times are set in the menus "Defrost heating temp..." on the left.

**The number of possible heating circuits or heat pumps that can be connected to the system varies depending on the control system.*

16.9.3 Settings Heat pump 1-**

Compressor **Blocked (Permitted/Blocked)**

The heat pump is supplied with a blocked compressor. "Permitted" means that the compressor is allowed to start.

Stop at outdoor temp °C **-22 (-22...10)**

This menu relates to settings for the outdoor temperature at which the compressor is no longer permitted to operate. The heat pump starts 2°C above the set value. Only applies to air-to-water heat pumps.

Charge pump % **50% (20...100)**

The speed of the charge pump is set here.

Cold temp limit **0 (0...-15)**

Temperature limit for "winter power". When the outdoor temperature is equal or lower (T2), the compressor speed is adjusted up to speed R2. Only applies to modulating air-to-water heat pumps.

Max rps **90* (50...120)**

The maximum permissible speed of the compressor at "winter temperature". Sets the compressor's maximum speed (R2) at outdoor temperature T2. Only applies to modulating air-to-water heat pumps.

Warm temp limit **20 (0...20)**

Temperature limit for "summer power". When the outdoor temperature is equal or higher (T1), the compressor speed is adjusted down to speed R1. The heat pump starts and stops at the actual value and setpoint value. Only applies to modulating air-to-water heat pumps.

Max rps warm temp **50 (50...120)**

The maximum permissible speed of the compressor at "summer temperature". Sets the compressor's maximum speed (R1) at outdoor temperature T1. Only applies to modulating air-to-water heat pumps.

Ext. silent mode rps **50 (20...120)**

Set the compressor speed value applicable for remote control.

Read more in the "Def. Remote Control" section of the "Installer/Define/" chapter.

Noise reduction, schedule

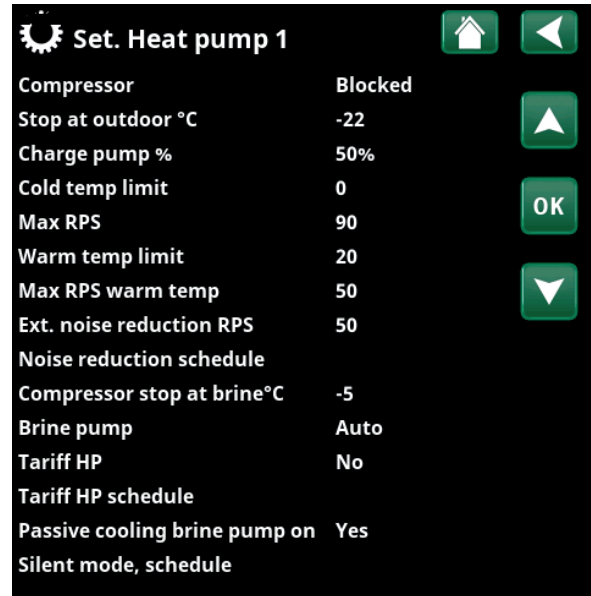
This menu starts a weekly program with limited compressor speed to reduce the noise level.

The "Weekly Program" chapter describes how to set schedules.

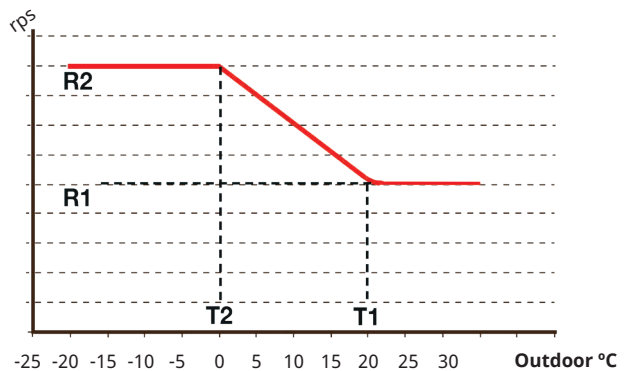
Compressor stop at brine °C **-5 (-7...10)**

This menu defines the brine temperature at which the compressor will be stopped.

Only applies to liquid-to-water heat pumps.



Menu: "Installer/Settings/Heat Pump/Heat Pump 1-".



The diagram shows that the compressor speed is controlled according to the outside temperature. When the outside temperature is below T2, the compressor speed adjusts up to R1. When the outside temperature exceeds T1, the compressor speed adjusts down to R1.

These temperature and speed limits are set in the menus on the left.

*The value may vary depending on the heat pump model.

**The number of possible heating circuits or heat pumps that can be connected to the system varies depending on the control system.

Brine pump **Auto (Auto/10 days/On)**

After installation is complete, you can choose to run the brine pump constantly for 10 days to remove air from the system. The brine pump then enters "Auto" mode. "On" means the brine pump runs constantly.

Only applies to liquid-to-water heat pumps.

Tariff HP **No (No/Yes)**

"Yes" means the function can be activated via remote control.

Read more in the "Def. Remote Control" section of the "Installer/Define/" chapter.

Tariff HP schedule

This menu bar is displayed if a weekly program has been defined for the "HP Tariff" function.

For more information, refer to:

- chapter "Weekly Program" for schedule setting.
- section "Def. Remote Control" of the "Installer/Define" chapter for defining the remote control function.

Passive cooling brine pump on **Yes (Yes/No)**

Enable "Yes" if the brine pump should be used for passive cooling.

Only applies to liquid-to-water heat pumps.

Silent mode, schedule

It is possible to start a weekly program, e.g. during the night, with limited compressor speed and fan speed to reduce the noise level.

The "Weekly Program" chapter describes how to set schedules.

Only applies to CTC EcoAir 600M.

16.9.4 Settings Additional heat

Start E1, degree minute -500 (-900...-30)

This menu is used to define at how many degree minutes additional heat E1 should start to operate.

Applies to System Types 1, 2 and 3.

Diff E1, degree minute -100 (-300...-20)

This menu is used to define the difference in degree minutes between the start and stop conditions for additional heat E1. If additional heat is set to start at -500 degree minutes, it will be stopped at -400 degree minutes (based on a difference setting of -100).

Applies to System Types 1, 2 and 3.

Start E2, degree minute -500 (-900...-30)

This menu is used to define at how many degree minutes the electric heater should start.

Applies to System Types 2 and 3.

Diff E2, degree minute -100 (-300...-20)

This menu is used to define the difference in degree minutes between the start and stop conditions for the electric heater. If the electric heater is started at -500 degree minutes, it will be stopped at -400 degree minutes (for a setting of -100).

Applies to System Types 2 and 3.

Start EcoMiniEl, degree minute -500 (-900...-30)

This menu is used to define at how many degree minutes EcoMiniEl will start.

Applies to System Types 2 and 3.

Diff step EcoMiniEl -50 (-300...-20)

This menu is used to define the difference in degree minutes between the start and stop conditions for EcoMiniEl. If the electric boiler is started at -500 degree minutes, it will be stopped at -450 degree minutes (for a setting of -50).

Applies to System Types 2 and 3.

Delay add. heat E1 180 (0...480)

This menu is used to state the delay in minutes of subnormal temperature in the buffer tank required before additional heat E1 is started.

Applies to System Types 4-6.

Add. heat E2* 7 (Off/1...3/1...7/1...10)

If a value has been selected, the additional heat is active during heat charging. If "Off" is selected, the additional heat is blocked.

Delay add. heat E2 180 (30...480)

This menu is used to state the delay in minutes of subnormal temperature in the buffer tank required before electric heater (E2) is started.

| Set. Additional heat | |
|--------------------------------|------|
| Start E1, degree minute | -500 |
| Diff E1, degree minute | -100 |
| Start E2, degree minute | -500 |
| Diff E2, degree minute | -100 |
| Start EcoMiniEl, degree minute | -500 |
| Diff step EcoMiniEl | -50 |
| Delay add. heat E1 | 180 |
| Add. heat E2 | 7 |
| Delay add. heat E2 | 180 |
| Diff delay E2 | 60 |
| Add. heat EcoMiniEl | No |
| Delay EcoMiniEl | 180 |
| Delay EcoMiniE step | 30 |
| Block add, outdoor°C | 5 |
| Boiler, open mix.valve °C | 70 |
| Boiler max °C | Off |
| Main fuse A | 20 |
| Conv. factor curr. sensors | 1 |
| Max el. heater kW | 0.0 |
| Tariff EL | Yes |
| Tariff EL schedule | |
| Start at flue gas °C | Off |
| SmartGrid Block. immersion | Yes |
| E1 Charge pump HP1 (G11) % | 100 |
| E2 Charge pump HP1 (G11) % | 70 |
| E3 Charge pump HP1 (G11) % | 70 |

Menu: "Installer/Settings/Additional Heat".

*The value that can be selected (1-3 steps/1-7 steps/1-10V) depends on how the additional heat has been defined on the line "Add. heat (E2)" in the menu "Installer/Define/System type".

Diff delay E2 **60 (10...120)**

This menu is used to define the difference in minutes between the start and full power conditions for the electric heater. If, for example, the electric heater is started after 180 minutes of subnormal temperature, full power will be achieved after 240 minutes (for a setting of 60).

Add. heat EcoMiniEI **No (No/1/2/3)**

This menu bar is displayed if EcoMiniEI is defined. Specify whether the electric heater should connect in 1, 2 or 3 steps.

Applies to System Types 2, 3 and 4.

Delay EcoMiniEI **180 (30...480)**

This menu is used to specify the number of minutes of subnormal temperature in the buffer tank after which EcoMiniEI is required to start.

Applies to System Type 4 if steps (1, 2, 3) are selected in the "Additional heat EcoMiniEI" menu.

Delay EcoMiniEI step **30 (10...120)**

This menu is used to specify the delay (between steps) with which EcoMiniEI is required to start.

Applies to System Type 4 if steps (1, 2, 3) are selected in the "Additional heat EcoMiniEI" menu.

Block add. heat, outdoor °C **5 (-40...40)**

This menu is used to set the outdoor temperature at which additional heat should be blocked.

Boiler, open mix.valve °C **70 (10...80)**

This menu is used to define the temperature at which the additional heat mixing valve should open.

Boiler max °C **Off (30...120)**

Operating thermostat for additional heat (E1) in Additional Heat mode.

When the set temperature is reached, the output (E1/A11) on the relay card is switched off. "Off" means that relay output E1/A11 is switched on in Additional Heat mode.

Main fuse A **20 (10...90)**

The size of the house's main fuse is set here. This setting and the fitted current sensors ensure the fuses are protected when using appliances which generate temporary power peaks, for example, cookers, ovens, engine heaters, etc. The product temporarily reduces power drawn where this type of equipment is being used.

Conv. factor curr. sensors **1 (1...10)**

This menu is used to specify the factor to be used by the current sensor. This setting is only performed if the connection has been installed for a current sensor for higher currents.

Example: User (set) value 2 => 16 A will be 32 A.

Max el. heater kW* **9.0 (0.0...9.0)**

Here you select the power that the electric heater is permitted to provide.

The setting range varies, see "Electrical data" in the chapter "Technical data". For language choices "German" and "French" the max electric power is factory set at 0.0 kW.

| | |
|----------------------------|-----|
| Diff delay E2 | 60 |
| Add. heat EcoMiniEI | No |
| Delay EcoMiniEI | 180 |
| Delay EcoMiniE step | 30 |
| Block add, outdoor°C | 5 |
| Boiler, open mix.valve °C | 70 |
| Boiler max °C | Off |
| Main fuse A | 20 |
| Conv. factor curr. sensors | 1 |
| Max el. heater kW | 0.0 |
| Tariff EL | Yes |
| Tariff EL schedule | |
| Start at flue gas °C | Off |
| SmartGrid Block. immersion | Yes |
| E1 Charge pump HP1 (G11) % | 100 |
| E2 Charge pump HP1 (G11) % | 70 |
| E3 Charge pump HP1 (G11) % | 70 |

Part of menu: "Installer/Settings/Additional Heat".

*The setting range may vary depending on the heat pump model.

Tariff EL**No (Yes/No)**

This menu bar is displayed if an "Input" for remote control is defined for the "Tariff EL" function in the "Installer/Define/Remote Control" menu.

"Yes" means the function can be activated via remote control.

Read more in the "Remote Control/Tariff EL" section of the "Installer/Define" chapter.

Tariff EL schedule

This menu bar is displayed if a weekly program has been defined for the "Tariff EL" function.

For more information, refer to:

- chapter "Weekly Program" for schedule setting.
- section "Def. Remote Control" of the "Installer/Define" chapter for defining the remote control function.

Start at flue gas °C**Off (Off/50...250)**

This menu is used to define the flue gas temperature (sensor B8) at which the system will enter wood operation status and the heat pump(s) stops.

Wood operation is activated when the flue gas temperature exceeds the set value in this menu and the temperature is equal to or above its reference value (setpoint). When wood operation is active, the heat pump or additional heat is not used for heating. Wood operation is deactivated when the flue gas temperature drops below the set value in this menu. Wood operation can also be activated when the primary flow sensor (B1) is 10 °C above the setpoint.

Applies to System Type 1.

SmartGrid Blocking immersion**No (Yes/No)**

For this menu to be displayed, define a remote control input for both SmartGrid A and SmartGrid B.

"Yes" means that the additional heat is blocked when "SmartGrid Blocking" is active.

Read more in the "Def. Remote Control" section of the "Installer/Define/" chapter.

E1 Charge pump HP1 (G11) %**100 (0...100)**

Speed of charge pump 1 (G11) when additional heat E1 is active and has been defined.

Applies to System Type 4.

E2 charge pump HP1 (G11) %**70 (0...100)**

Charge pump 1 (G11) achieves at least this speed when the electric heater E2 is active.

E3 charge pump HP1 (G11) %**70 (0...100)**

Charge pump 1 (G11) achieves at least this speed when additional heat E3 is active and has been defined.

Applies to System Types 2 and 4.

16.9.5 Settings DHW tank

The menus below are displayed if "DHW tank" has been defined in the "Installer/Define /DHW tank" menu. Sensor B5 measures the temperature in the DHW tank.

Program DHW

Available options are "Economy", "Normal" and "Comfort".

Press "OK" to open the settings for the selected DHW program. The factory settings shown below apply to "Normal" mode. Refer to the "Parameter List" chapter for the "Economy" and "Comfort" modes' factory settings.

• Stop temp HP °C 55 (20...60)

At the selected temperature, the heat pump stops charging the DHW tank.

• Extra DHW stop temp °C 60 (20...62)

This menu is used to specify the setpoint for the heat pump to charge DHW.

• Reset program

The current DHW program will be restored to factory settings.

Start/stop diff °C 5 (3...7)

This menu is used to set the negative hysteresis before the heat pump starts charging the DHW tank after the setpoint has been reached.

Example: If the stop temperature is 55 °C and hysteresis is set to 5 °C in this menu, it means the heat pump will start DHW charging again when the temperature in the tank has dropped to 50 °C.

Max time DHW (min) 20 (5...60)

This specifies the maximum time for which the heat pump heats the DHW tank.

Max time heating (min) 40 (5...60)

This is the maximum time for which the heat pump heats the heating circuit, if DHW charging is required.

Delay heating calc. 3 (1...7)

The charge temperature is high after DHW charging. During the set time period, the primary flow temperature is ignored.

Add. heat DHW Auto (Yes/No/Auto)

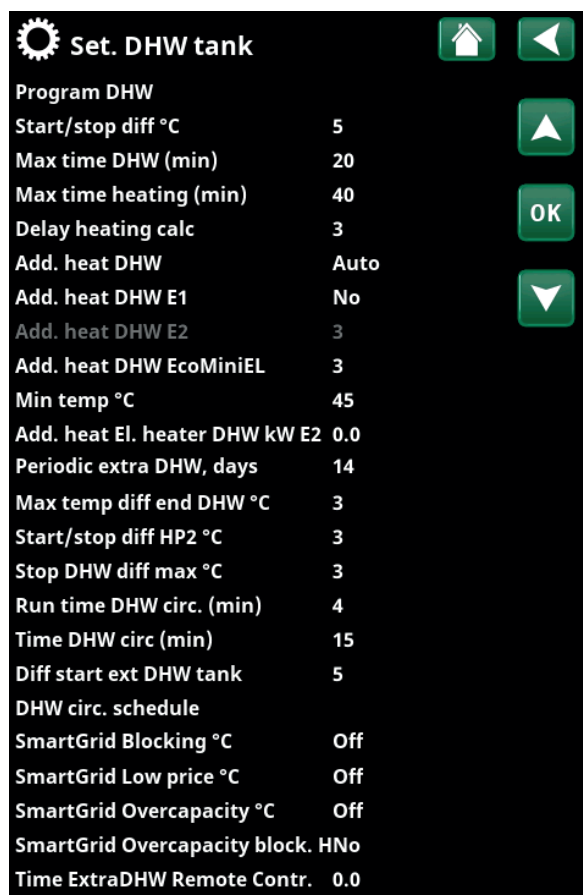
This menu is used to define whether additional heat needs to be active in parallel with the heat pump charging the DHW tank.

"Yes" means the setpoint for additional heat is automatically set to equal the heat pump setpoint for the DHW tank.

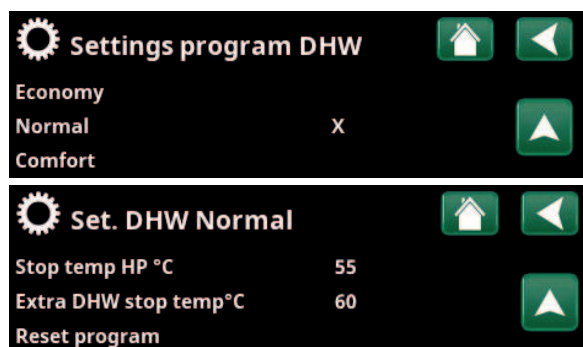
"Auto" means that additional heat works according to the value set for DHW tank additional heat. "No" means additional heat should not be active during DHW charging.

Add. heat DHW E1 No (Yes/No)

If "Yes" is selected, additional heat is active during DHW charging. If "No" is selected, the additional heat is blocked.



Menu: "Installer/Settings/DHW Tank".



Menu: "Installer/Settings/DHW Tank/DHW Program".

Add. heat DHW EcoMiniEL 3 (Off/Step 1...3))

If "Step 1-3" is selected, additional heat is active during DHW charging. If "Off" is selected, the additional heat is blocked.

Min temp °C 45 (20...55)

This menu is used to specify the lowest permitted temperature in the DHW tank.

Add. heat El. heater DHW kW E2 9.0 (0.0...9.0)

Here you select the power that the electric heater is permitted to provide.

The setting range may vary depending on the heat pump model.

Periodic extra DHW, days 14 (Off/1...30)

The menu defines the interval for the periodic increase of the DHW tank to 65 °C to protect against legionella.

1 = Every day 2 = Every other day etc.

Max temp diff end DHW °C 3 (2...7)

If there is a heating requirement, DHW charging is interrupted before maximum temperature is reached, in order to avoid the compressor stopping while switching DHW to heating.

Start/stop diff HP2 °C 3 (0...10)

This menu applies only to a system where 3-way valve Y22 has been defined. DHW charging using valve Y22 takes place if the DHW temperature is below the start value by the set difference.

Stop DHW diff max °C 3 (2...10)

DHW charging is normally interrupted in the DHW sensor, but this can also occur in the condensation temperature which is calculated based on the heat pump's internal pressure sensor. The condensation temperature is significantly increased during DHW charging. This menu relates to the value from the maximum permitted condensation temperature that interrupts DHW charging. If there is a heating requirement, the system then diverts to charging the heating circuit.

Run time DHW circ. (min) 4 (1 to 90)

The length of time that DHW circulation should active during each period. Displayed if "DHW circulation" has been defined in the "Installer/Define/DHW tank" menu.

Time DHW circ. (min) 15 (5...90)

Time between periods of DHW circulation. Displayed if "DHW circulation" has been defined in the "Installer/Define/DHW tank" menu.

Diff start ext. DHW tank* 5 (3...15)

These menu bars are displayed if "External DHW Tank" has been defined in the "Installer/Define/DHW Tank" menu. This menu is used to select the temperature difference at which the charging of the external DHW tank is required to start. The difference is specified in relation to the setpoint that is set in the "DHW Program/Stop temp HP °C" menu.

| | |
|-----------------------------------|-----|
| Add. heat DHW EcoMiniEL | 3 |
| Min temp °C | 45 |
| Add. heat El. heater DHW kW E2 | 0.0 |
| Periodic extra DHW, days | 14 |
| Max temp diff end DHW °C | 3 |
| Start/stop diff HP2 °C | 3 |
| Stop DHW diff max °C | 3 |
| Run time DHW circ. (min) | 4 |
| Time DHW circ (min) | 15 |
| Diff start ext DHW tank | 5 |
| DHW circ. schedule | |
| SmartGrid Blocking °C | Off |
| SmartGrid Low price °C | Off |
| SmartGrid Overcapacity °C | Off |
| SmartGrid Overcapacity block. HNo | |
| Time ExtraDHW Remote Contr. | 0.0 |

Part of the "Installer/Settings/DHW Tank" menu.

**Applies if the CTC Expansion accessory has been installed.*

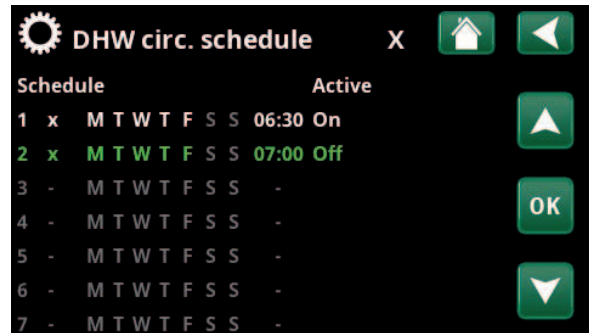
DHW circ. schedule

This menu displays the scheduled weekday periods when the DHW circulation pump is to run. The menu bar is displayed if:

- "DHW circulation" has been defined in the "Installer/Define/DHW tank" menu.
- a "Weekly Program" is defined for the DHW Circulation" function in the "Installer/Define/Remote Control" menu.

For more information, refer to:

- chapter "Weekly Program" for schedule setting.
- section "Def. Remote Control" of the "Installer/Define" chapter for defining the remote control function.



Menu: "Installer/Settings/DHW Tank/DHW circ. schedule".
In the example above, "DHW circulation" is activated every week - Monday to Friday between 06:30 and 07:00.

SmartGrid Blocking °C **Off (Off/-1...-50)**

The setpoint for DHW tank heating is decreased by the value set in this menu when "SmartGrid Blocking" is active.

Both SmartGrid A and SmartGrid B must be defined in the remote control menu for this menu to be displayed.

Read more in the "Def. Remote Control /SmartGrid A/B" section of the "Installer/Define" chapter.

SmartGrid Low price °C **Off (Off/1...30)**

The setpoint for DHW tank heating is increased by the value set in this menu when "SmartGrid Low price" is active.

Both SmartGrid A and SmartGrid B must be defined in the remote control menu for this menu to be displayed.

Read more in the "Def. Remote Control /SmartGrid A/B" section of the "Installer/Define" chapter.

SmartGrid Overcapacity °C **Off (Off/1...30)**

The setpoint for DHW tank heating is increased by the value set in this menu when "SmartGrid Overcapacity" is active.

Both SmartGrid A and SmartGrid B must be defined with a remote control input for this menu to be displayed.

Read more in the "Def. Remote Control /SmartGrid A/B" section of the "Installer/Define" chapter.

SmartGrid Overcapacity block HP **No (No/Yes)**

"Yes" means that DHW tank heating using the heat pump is blocked when "SmartGrid Overcapacity" is active.

Time ExtraDHW Remote Control **0.0**

The duration of time that extra DHW will be produced for the DHW tank is set here. The "Extra hot water" function is activated via remote control.

The menu bar is displayed if:

- a normal mode for the external control signal (Normally Open (NO)/Normally Closed (NC)) is defined for the function in the "Installer/Define/DHW Tank" menu.
- an "Input" for "Extra DHW" has been defined in the "Installer/Define/DHW tank" menu.

16.9.6 Settings Buffer tank

The menu applies only to systems with a buffer tank (System Types 4-6) if "Buffer Tank" has been defined (menu: "Installer/Define /Buffer Tank". The temperature in the buffer tank is measured using sensor B6.

Tank max °C **55 (20...90)**

Setting for preferred maximum temperature in the buffer tank.

Tank min °C **30 (5...60)**

Setting for preferred minimum temperature in the buffer tank.

Diff tank vs primary °C **0 (0...15)**

This menu is used to set the preferred difference between the temperature in the tank and the outgoing primary flow temperature to the heating circuit.

Start/Stop diff tank °C **5 (3...10)**

This menu is used to set the negative hysteresis before the heat pump starts charging the buffer tank after the setpoint has been reached.

Example: If the stop temperature is 55 °C and hysteresis is set to 5 °C in this menu, it means the heat pump will start charging again when the temperature in the tank has dropped to 50 °C.

Setpoint schedule °C **50 (20...60)**

This menu is used to set the setpoint to which the buffer tank works during external activation (remote control) and when programming a heating schedule.

For more information, refer to:

- chapter "Weekly Program" for schedule setting.
- section "Def. Remote Control" of the "Installer/Define" chapter for defining the remote control function.

Buffer tank schedule

This menu bar is displayed if a weekly program has been defined in the "Buffer Tank" row in the "Installer/Define/Remote Control" menu.

For more information, refer to:

- chapter "Weekly Program" for schedule setting.
- section "Def. Remote Control" of the "Installer/Define" chapter for defining the remote control function.

SmartGrid Low Price °C **Off (Off/1...30)**

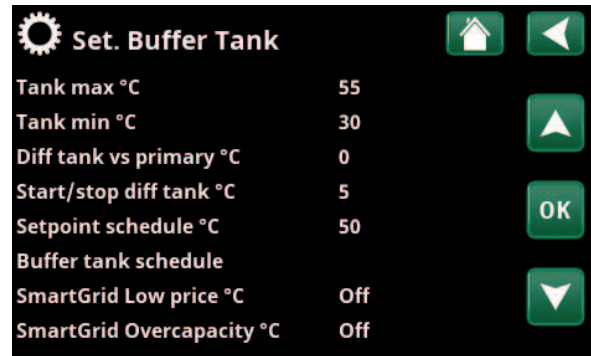
The setpoint increase for heating the upper tank when "SmartGrid Low Price" is active can be set here.

Read more in the "Installer/Define/Remote control/SmartGrid" menu.

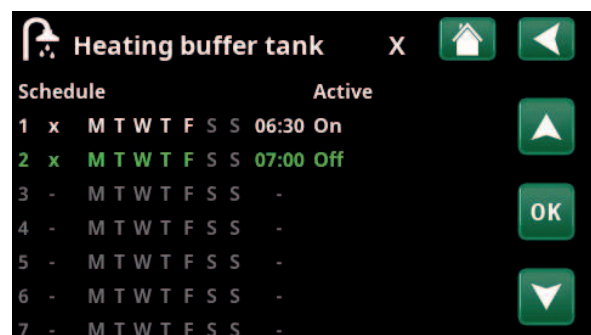
SmartGrid Overcapacity °C **Off (Off/1...30)**

The setpoint increase for heating the lower tank when "SmartGrid Overcapacity" is active can be set here.

Read more in the "Installer/Define/Remote control/SmartGrid" menu.



Menu: "Installer/Settings/Buffer Tank"



In the example, buffer tank heating is activated every week – Monday to Friday between 06:30 and 07:00.

16.9.7 Settings Solar panels*

dT max solar °C 7 (3...30)

When the temperature difference between the solar panels and the DHW tank exceeds the set value, the charge pump on the solar panels (G30) should begin producing DHW for the DHW tank.

dT min solar °C 3 (2...20)

When the temperature difference between the solar panels and the DHW tank reaches the set value, the charge pump on the solar panels (G30) should stop.

Min speed pump % 30 (30...100)

The minimum permitted speed (rpm) for the circulation pump (G30) is set here.

Max boiler °C 85 (10...95)

The maximum permitted temperature in the boiler. Charging of the boiler ceases once the set temperature has been reached.

Applies to System Type 1.

Max DHW tank °C 85 (10...95)

The maximum permitted temperature in the DHW tank. Charging stops once the set temperature has been reached.

Max buffer tank °C 85 (10...95)

The maximum temperature in the buffer tank. Charging stops once the set temperature has been reached.

Max temp brine °C 18 (1...30)

Setting for maximum permitted brine temperature. Solar charging of the borehole ceases when this value has been reached.

NB! This should not be adjusted without consulting your installer.

dT max bedrock °C 60 (3...120)

Setting for start conditions for solar charging of bedrock. Specifies the temperature difference (solar panels–bedrock) at which charging begins.

dT min bedrock °C 30 (1...118)

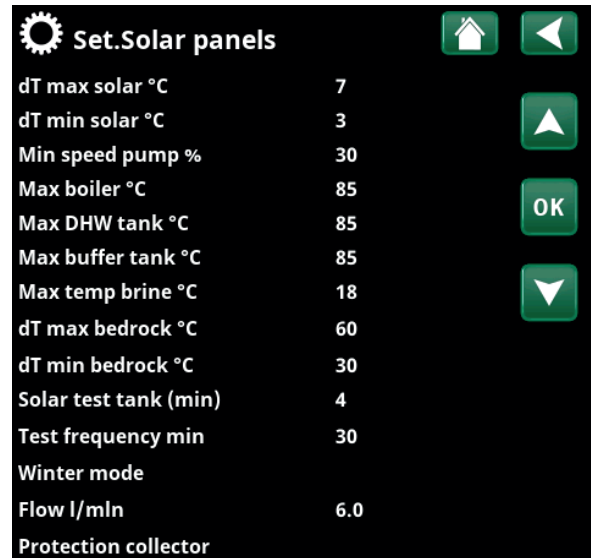
Setting for stop conditions for solar charging of bedrock. Specifies the temperature difference (solar panels–bedrock) at which charging stops.

Solar test tank (min) 4 (1...20)

(Used only if evacuated tube solar collectors have been defined.) When recharging the bedrock, switching to tank charging is done once every 30 minutes to check whether tank charging is possible. The test is carried out at the set time interval. If enough temperature is obtained, tank charging continues; otherwise the system switches to charging the bedrock again.

Test frequency min 30 (0...180)

Specifies the frequency at which the Solar Test function should perform. With 0 as the set value, solar test takes place continuously.



Menu: "Installer/Settings/Solar Panels".

*Applies if the CTC Expansion accessory has been installed.

Winter mode **Off (Off/On)**

Deactivate the "Solar test tank min" function. "Off" means only borehole charging.

Flow l/min **6.0 (0.1...50.0)**

The flow circulating through the solar panels should be indicated here. (This can be read from the flow meter in the system unit.) The flow should be read when pump G30 is running at 100%.

NB: It is important the value is correct, as the flow is used as the basis for calculating the power and cumulative energy. Incorrect flows will therefore produce incorrect values for these parameters.

Protection collector

Refer to the "Settings Protection Collector" chapter below.

16.9.7.1 Settings Protection collector*

Max temp °C **120 (110...150)**

Protects the solar panels from high temperatures by allowing circulation in the solar panels even though the maximum temperature has been reached in the respective tank. For safety reasons, the temperature in the buffer tank is never allowed to exceed 95 °C.

Emergency cooling **Yes (Yes/No)**

Allows circulation to the DHW and buffer tank as well as the borehole. This is in order to prevent excessively high temperatures in the solar panels. Applies once the maximum permitted temperature has been reached.

NB: Under no circumstances are the temperatures in the tanks allowed to exceed 95°C.

Re-cooling **No (Yes/No)**

This option can be activated when the emergency cooling function has been activated. The function means that the system endeavours reduce the temperature in the DHW and buffer tank to the set setpoint (set in the Re-cooling to temp menu). This means that the solar panels are used as cooling elements for a short period of time.

Re-cooling to temp °C **70 (50...80)**

This option can be activated when the "Recooling" function has been activated. The function means that the system endeavours reduce the temperature in the DHW tank and buffer tank to the set setpoint.

Anti-freeze **No (Yes/No)**

As there is a risk of blocks of ice forming in the solar panels, circulation may be started to reduce the risk of frost damage.

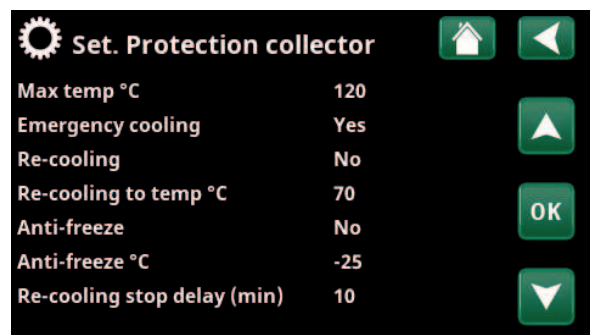
Anti-freeze °C **-25 (-30...-7)**

Specifies the temperature at which frost protection should be activated.

The menu bar is displayed when the "Anti-freeze" function has been activated.

Re-cooling stop delay (min) **10 (0...180)**

Delay refers to the time (minutes) before the need for re-cooling (DHW tank and buffer tank) ceases.



Menu: "Installer/Settings/Solar Panels/Protection Collector".

*Applies if the CTC Expansion accessory has been installed.

16.9.8 Settings Pool*

Pool **On (On/Blocked)**

Whether the pool heating should be "On" or "Blocked" is selected here.

Pool temp °C **22 (20...58)**

The desired pool temperature is set on this menu bar.

Pool diff °C **1.0 (0.2...5.0)**

The permitted difference between the stop and start temperature in the pool is specified here.

Pool priority **Low (Low/High)**

The priority between pool heating and the heating circuit is specified here. If the "Low" setting is selected, the pool is not charged when additional heating is being used.

SmartGrid Blocking °C **Off (Off/-1...-50)**

The setpoint for pool heating is decreased by the value set in this menu when "SmartGrid Blocking" is active.

SmartGrid Low price °C **Off (Off/1...5)**

The setpoint for pool heating is increased by the value set in this menu at "Low price" energy price (when "SmartGrid Low price" is active).

Read more in the "Installer/Define/Remote control/SmartGrid" menu.

SmartGrid Overcapacity °C **Off (Off/1...5)**

The setpoint for pool heating is increased by the value set in this menu at "Overcapacity" energy price (when "SmartGrid Overcapacity" is active).

Read more in the "Installer/Define/Remote control/SmartGrid" menu.

Block pool **No (Yes/No)**

This function is used to block external pool heating. This menu bar is displayed if the criteria below are met:

- the pool is connected (defined) to the system
- a remote control input has been defined for the "Block pool" function.
- a normal mode (Normally Open (NO) or Normally Closed (NC)) for the external control signal has been defined.

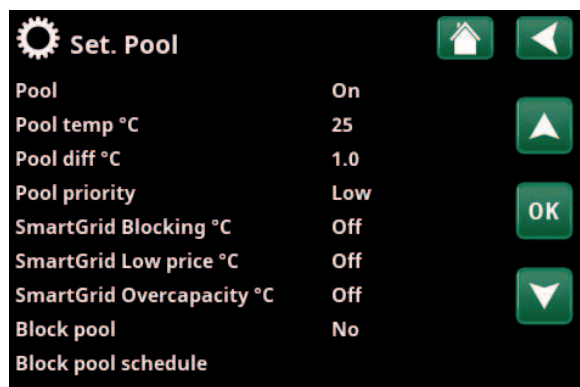
Read more in the "Def. Remote Control" section of the "Installer/Define" chapter.

Block pool schedule

This menu is used to schedule the weekday periods during which pool heating should be blocked. This schedule is repeated every week. This menu bar is displayed if a weekly program has been defined for the "Block Pool" function.

For more information, refer to:

- chapter "Weekly Program" for schedule setting.
- section "Def. Remote Control" of the "Installer/Define" chapter for defining the remote control function.



Menu: "Installer/Settings/Pool".

*Applies if the CTC Expansion accessory has been installed.

16.9.9 Settings Cooling*

Room temp. cooling °C 25.0 (10.0...30.0)

Set the desired room temperature for cooling.

Cooling permit. from outdoor T Off (0...39/Off)**

Set the outdoor temperature from which cooling will be permitted.

Active delay* 10 (1...600/Off)

Delay refers to the time (minutes) before the production of cooling is allowed when there is a need for cooling.

Heating off, delay 10 (0...600/Off)**

Delay refers to the time (minutes) from when production of heat has ended until cooling production is permitted.

Start delay 180 (5...240)**

The menu determines the delay time (minutes) from the time the cooling has been blocked (see menu bars "Ext. Block cooling" and "Block cooling schedule") until the production of cooling is permitted again.

Diff. delay calc. Off (1...600/Off)**

Set how often (minutes) a new value for the primary flow temperature is calculated based on the measured return temperature of the cooling flow.

Start cooling at overtemp °C 1.0 (0.5...15.0)

The menu bar is displayed if passive cooling and room sensors have been defined in the menu "Installer/Define/Cooling" menu.

The overtemperature in the room at which cooling will start is determined in this menu.

Recommended values depending on system:

- Radiator/Underfloor heating = 1.0 °C
- Fan convectors = 1.0 °C

Stop cooling at overtemp °C 0.5 (0.1...14.0)

The menu bar is displayed if passive cooling and room sensors have been defined in the menu "Installer/Define/Cooling" menu.

The overtemperature in the room at which cooling will stop is determined in this menu.

Recommended values depending on system:

- Radiator/Underfloor heating = 0.5 °C
- Fan convectors = 0.5 °C

Primary flow temp at outdoor +20 °C 20 (2...20)**

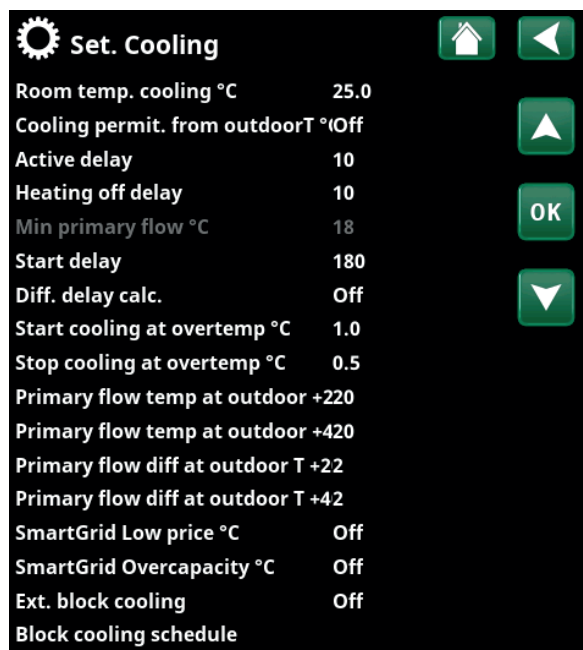
Specify the temperature of the cooling flow at an outdoor temperature of 20°C.

Recommended values depending on system:

- Radiator/Underfloor heating = 20 °C
- Fan convector = 20 °C

Primary flow temp at outdoor +40 °C 20 (2...20)**

Specify the temperature of the cooling flow at an outdoor temperature of 40 °C.



Menu: "Installer/Settings/Cooling".

*Applies if the CTC Expansion accessory has been installed.

**This menu bar is only displayed if active cooling has been defined in the "Installer/Define/Cooling" menu.

Recommended values depending on system:

- Radiator/Underfloor heating = 20 °C
- Fan convector = 20 °C

Primary flow diff. at outdoor +20 °C 2 (1...10)**

Specify how many degrees of difference is permitted between the primary flow and return temperature of the cooling flow at an outdoor temperature of 20 °C.

Primary flow diff. at outdoor +40 °C 2 (1...10)**

Specify how many degrees of difference is permitted between the primary flow and return temperature of the cooling flow at an outdoor temperature of 40 °C.

SmartGrid Low price °C Off (Off/1...5)

The setpoint for room temperature is decreased by the value set in this menu when "SmartGrid Low price" is active.

The menu bar is displayed if SmartGrid have been defined in the "Installer/Define/Remote Control" menu.

Read more in the "Remote Control/SmartGrid" section of the "Installer/Define" chapter.

SmartGrid Overcapacity °C Off (Off/1...5)

The setpoint for room temperature is decreased by the value set in this menu when "SmartGrid Overcapacity" is active.

The menu bar is displayed if SmartGrid have been defined in the "Installer/Define/Remote Control" menu.

Read more in the "Remote Control/SmartGrid" section of the "Installer/Define" chapter.

Ext. block cooling No (Yes/No)

Blocking cooling can be remote controlled remotely. For example, the function can be used to turn off cooling with the help of a humidity sensor when there is a risk of condensation.

This menu bar is displayed if the criteria below are met:

- a remote control input has been defined for the "Block cooling" function.
- a normal mode (Normally Open (NO) or Normally Closed (NC)) for the external control signal has been defined on the menu bar "Block cooling ext. config." in the "Installer/Define/Cooling" menu.

Read more in the "Def. Remote Control" section of the "Installer/Define" chapter.

Block cooling schedule

This menu is used to schedule the weekday periods during which cooling should be blocked. This schedule is repeated every week.

This menu bar is displayed if a weekly program has been defined for the "Block Cooling" function, in the "Installer/Define/Remote Control" menu.

For more information, refer to:

- chapter "Weekly Program" for schedule setting.
- section "Def. Remote Control" of the "Installer/Define" chapter for defining the remote control function.

***This menu bar is only displayed if active cooling has been defined in the "Installer/Define/Cooling" menu.*

16.9.10 Settings Communication

Settings can be made here to control the product with a controlling system.

16.9.10.1 Settings Ethernet

DHCP Yes (Yes/No)

"Yes" enables automatic connection to the network.

If "No", custom router settings (IP address, Netmask and Gateway) as well as DNS setting must be made.

Auto DNS Yes (Yes/No)

If "Yes", default DNS server settings are used. If "No", custom DNS settings must be made.

SNTP Server

Option for custom SNTP server settings.

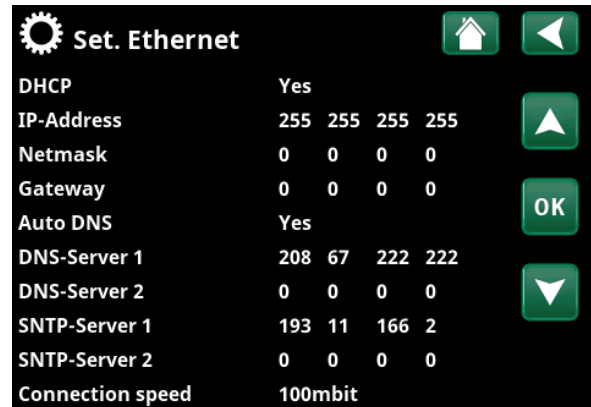
Connection speed 100mbit

Connection speed is specified here.

The factory-set connection speed is 100 mbit/s.



Menu: "Installer/Settings/Communication".



Menu: "Installer/Settings/Communication/Internet".

16.9.10.2 Settings BMS

MB address 1 (1...255)

Adjustable "1-255".

Baudrate 9600 (9600/19200)

Possible settings: "9600" or "19200".

Parity Even (Even/Odd/None)

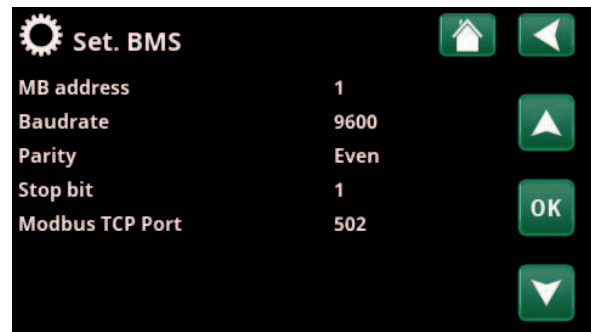
Possible settings: "Even", "Odd" or "None".

Stop bit 1 (1/2)

Possible settings: 1 or 2.

Modbus TCP Port 502 (1...32767)

This menu bar is displayed if "Modbus TCP" is defined in the "Ethernet" row in the "Installer/Define/Remote Control" menu.



Menu: "Installer/Settings/Communication/BMS".

16.9.10.3 myUplink

The menu is used for pairing with the myUplink app. Request connection string by pressing "Get connection string", confirm with "OK". The menu bar is clickable if the display is connected to the server.

In the app: Scan the QR code or enter values for "Serial number" and "Connection string".

Select the menu items "Remove users" and / or "Remove service partners" to disconnect these accounts from the system. Confirm with "OK".



Menu: "Installer/Settings/Communication/myUplink".

16.9.10.4 Settings El. prices

Ensure that "myUplink" is selected in the "Def. Communication" menu.

Select "El.prices" in the "Installer/Settings/Communication" menu to access the "Set. El.prices" menu.

Price control On/Off

Select "On" to show the other menu lines of the "Set. El.prices" display menu.

Regions SE01/SE02/SE03/SE04

Click "OK" on the "Regions" line. If "Regions" are defined for the selected country (see "Installer/Display/Country" menu), price regions for the country are shown here. Otherwise, the text "No regions available" is displayed. In this example, Swedish price regions are displayed.

Dynamic Yes/No

"Yes" means that the electricity prices are calculated according to price algorithms that define the price categories ("High", "Medium" and "Low").

Click "OK" on the "Preview data" line to display a graph of electricity prices calculated over the selected time interval ("Days in calculation").

The graph can also be displayed by clicking the "El.prices" icon in the "Operation" main menu (see "Operation" section).

Limit value high

Set the limit value above which the electricity price is defined as "High" (in the example, the limit value is SEK 3.50). This can be used together with the dynamic price calculation feature to define a different "High" price range than that determined by the dynamic price calculation feature.

Prices defined as "High" activate the "SmartGrid Blocking" function.

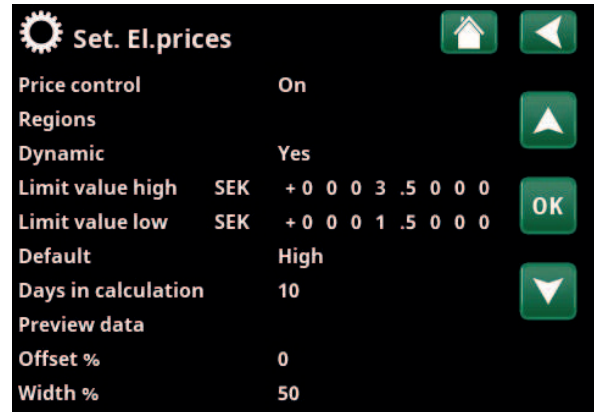
Limit value low

Set the limit value below which the electricity price is defined as "Low" (in the example, the limit value is SEK 1.50). This can be used together with the dynamic price calculation feature to define a different "Low" price range than that determined by the dynamic price calculation feature.

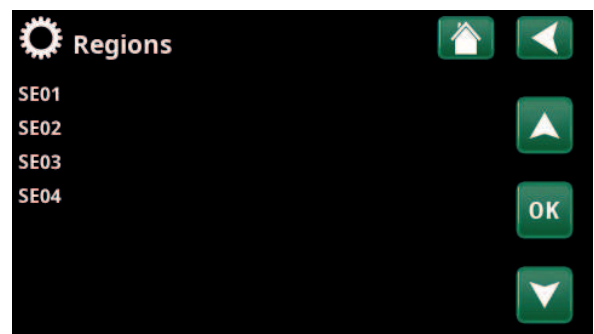
Prices defined as "Low" activate the "SmartGrid Low price" function.

Default High/Medium/Low

Select the price category that should apply if prices cannot be retrieved.



Menu: "Installer/Settings/Communication/El.prices" where "Installer/Define/Communication/myUplink:Yes" is selected.



Menu: "Installer/Settings/Communication/El.prices/Regions" where "Installer/Define/Communication/myUplink:Yes" is selected

For more information and examples of Smart Electricity Price Control/SmartGrid, see the website www.ctc-heating.com/Products/Download.

Days in calculation

1...10

Select the number of days on which the dynamic calculation of the electricity price will be based. Since the dynamic calculation is based on the average price per day, more days in calculation result in a more stable and reliable value.

See also the "Example: Electricity price settings" section.

Preview data

Click "Preview data" to show electricity prices during the selected period in graph form.

Offset %

0 (0...100)

Enter code "4003" in the "Installer/Service/Coded settings/Code" menu to display the "Offset %" menu line.

"Offset" is the boundary between where "High" price and "Medium" price electricity is determined and is based on the average price for the number of days used in the calculation.

See also the "Example: Electricity price settings" section.

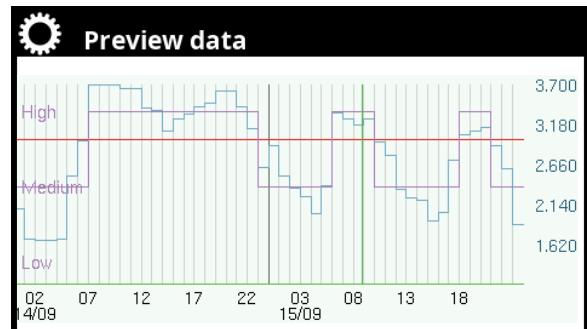
Width %

50 (0...200)

Enter code "4003" in the "Installer/Service/Coded settings/Code" menu to display the "Width %" menu line.

"Width" is the vertical price range where the electricity price is considered "Medium".

See also the "Example: Electricity price settings" section.



Menu: "Installer/Settings/Communication/El.prices/Preview data".



Menu: "Installer/Service/Coded settings/Code".

16.9.11 Settings Ventilation/EcoVent

Settings for the CTC EcoVent ventilation product are made here.

For more information, see the "Installation and Maintenance Manual" for CTC EcoVent.

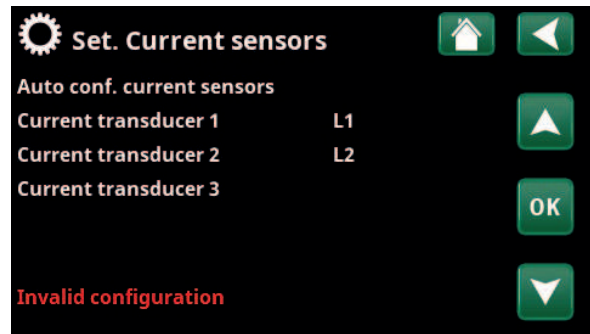
16.9.12 Settings Current sensor

These menu bars are displayed if "Current Sensor" is defined in the "Installer/Define Current Sensor" menu.

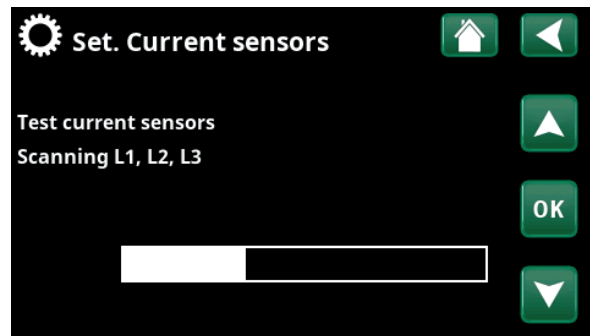
In the menu, specify the phases (L1, L2 and L3) to which the current sensors have been connected.

In the lower left corner of the screen, "Invalid configuration" will be displayed until L1, L2, and L3 are paired with the three current sensors in the menu.

When activating the "Auto config. current sensors" function, it is important that you have switched off all devices in the house that consume high levels of electricity. Also make sure that the backup thermostat is switched off.



Menu: "Installer/Settings/Current Sensors".



Menu: "Installer/Settings/Current Sensors /Auto config. current sensor".

16.9.13 Settings Round circulation schedule

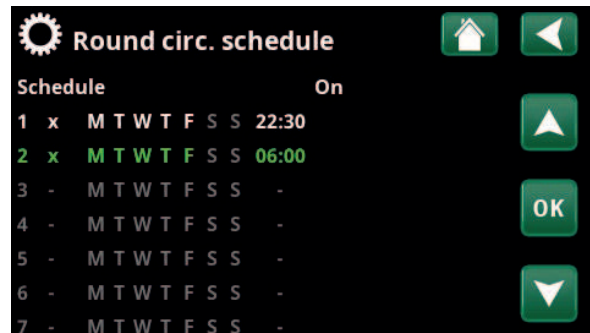
Round circulation is equipment which an electricity supplier can fit in order to disconnect, for a short period of time, equipment which draws high current. The compressor and electrical output are blocked when round circulation is active.

This menu bar is displayed if a weekly program has been defined for the "Round circulation" function.

The "Round circulation" function can also be controlled remotely by activating the "Input" defined for the function.

For more information, refer to:

- chapter "Weekly Program" for schedule setting.
- section "Def. Remote Control" of the "Installer/Define" chapter for defining the remote control function.



Menu: "Installer/Settings/Round circulation".

16.9.14 Settings SmartGrid schedule

This menu is used to schedule the weekday periods during which the "SmartGrid" functions should be active. This schedule is repeated every week.

"SmartGrid" can be used to block a function ("SG Block.") or to achieve a temperature increase during periods when the energy price is low ("SG Low") or ("SG Overcapacity").

SG Normal mode can be used to easily deviate from any SmartGrid settings for the system on specific days/at specific times.

The "SmartGrid schedule" menu bar is displayed if a weekly program has been defined in the "SmartGrid A" row.

For more information, refer to:

- chapter "Weekly Program" for schedule setting.
- chapter "Installer/Define/Remote Control" for defining SmartGrid.

16.9.15 Save settings

Custom settings can be saved to "Bank" 1-3 and on a USB drive here. The "USB" row is greyed out until the USB drive is installed. The rows show the date and time of saved settings.

Press "OK" to confirm.

16.9.16 Load settings

The saved settings can be recovered.

Press "OK" to confirm.

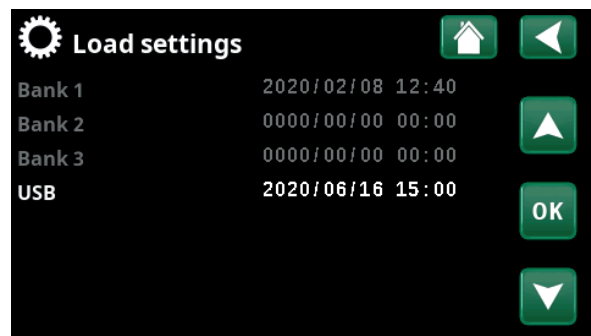
16.9.17 Load Factory settings

The product is supplied with the factory values set. Saved settings in "Bank" 1-3 are deleted when factory settings are restored. The selected language is recovered.

Press "OK" to confirm.



Menu: "Installer/Settings/SmartGrid schedule".

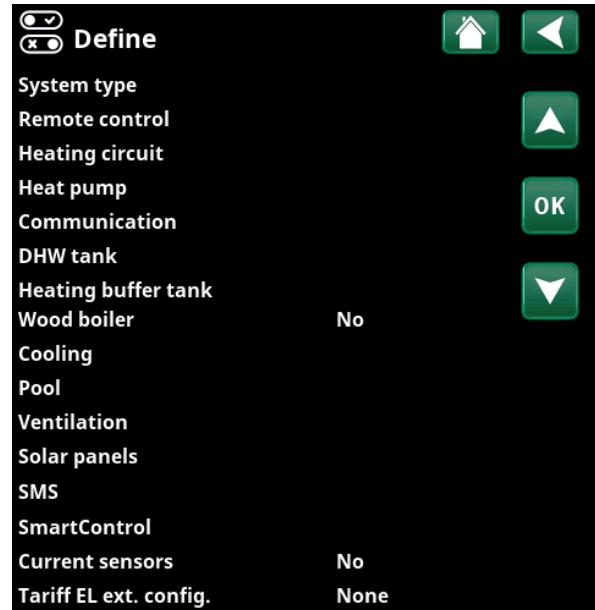


Menu: "Installer/Settings/Load My Settings".



16.10 Define

The "Define" menus specify which components and subsystems the system consists of.



Menu: "Installer/Define/Remote Control".

16.10.1 Def. System type

System type 2 (1/2/3/4/5/6)

Select "System Type" 1-6. For more information about the six system types, see the "Pipe Installation" chapter.

Additional heat (E1) Yes (Yes/No)

Specify whether additional heat (E1) is connected.

The menu bar is displayed if "System Type" 2, 3, 4, or 5 is defined.

Note that when E1 is used in systems 2, 3 and 4, Heating Circuit 2 cannot be installed because mixing valve Y2 is used to mix additional heat.

Also note that the EcoLogic "System Type" 5 has no mixing valve for additional heat (E1).

EcoMiniEl (E3) No (Yes/No)

Specify whether EcoMiniEl is connected.

This menu bar is displayed if "System Type" 2, 3 or 4 is defined.

Heat pump for DHW HP1 (HP1/HP1+HP2)

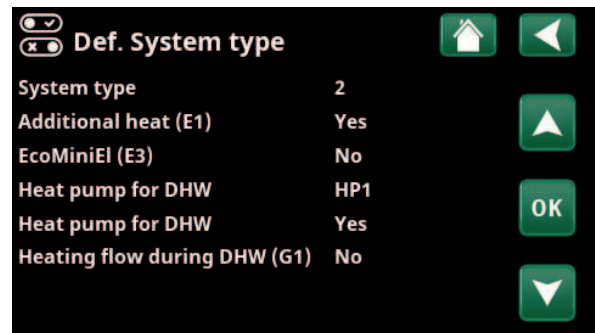
This menu bar is displayed if "System Type" 2-6 is defined.

Specify whether Heat Pump 1 (HP1) or both heat pumps (HP1+HP2) should be allowed to produce hot water.

Heat pump for DHW Yes (Yes/No)

This menu bar is displayed if "System Type" 1 is defined.

Select "Yes" if the heat pump should prioritise DHW during the summer period when the status is DHW.



Menu: "Installer/Define/System Type".

Select "System Type" and define additional heat sources.

*Applies if the CTC Expansion accessory has been installed.

Heating flow during DHW (G1) No (Yes/No)

If "System type" 2 or 3 has been defined:

Specify if there is a need for heating flow during DHW production. This menu must be selected if pump G1 and by-pass connection are present.

If "Yes", a degree minute calculation will also be performed during DHW charging.

If "Yes", priority is also given between heating and DHW production according to settings in the menu "Advanced/Settings/DHW tank".

This menu bar is displayed if "System Type" 2 or 3 is defined.

If "System type" 5 has been defined:

If "Yes", priority is given between heating and DHW production according to settings in the menu "Advanced/Settings/DHW tank".

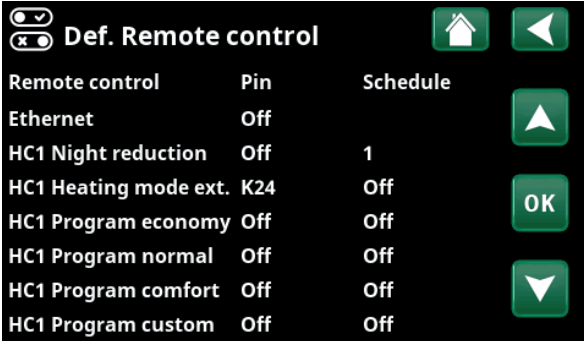
16.10.2 Def. Remote control

This chapter describes all remote control functions; how they are set up and how they are used.

The "Installer/Define/Remote Control" menu defines how the remote control inputs should be activated by specifying one of the following three modes of activation in the "Input" column of this menu:

- a terminal block K22-K23 on the relay card (A2) has power or terminal block K24-K25 is closed. There are two 230 V inputs and two low voltage ports. See table below.
- wireless accessories in the CTC SmartControl. CTC SmartControl series consist of wireless sensors and control units that control signals for temperature, humidity and carbon dioxide level
- BMS control where control signals are transmitted via the BMS interface.

If you want a function to recur during weekdays, you can set when the function should be active/inactive in a weekly program.



| Remote control | Pin | Schedule |
|---------------------------|-----|----------|
| Ethernet | Off | |
| HC1 Night reduction | Off | 1 |
| HC1 Heating mode ext. K24 | Off | Off |
| HC1 Program economy | Off | Off |
| HC1 Program normal | Off | Off |
| HC1 Program comfort | Off | Off |
| HC1 Program custom | Off | Off |

Part of the "Installer/Define/Remote Control" menu.

| Designation | Terminal block position | Connection type |
|-------------|-------------------------|--------------------------|
| K22 | A14 & A25 | 230V |
| K23 | A24 & A25 | 230V |
| K24 | G33 & G34 | Extra-low voltage (<12V) |
| K25 | G73 & G74 | Extra-low voltage (<12V) |

The table shows the remote control inputs K22-K25 on the relay card.

16.10.2.1 Setting the remote control function

1. Define an "Input"

First, an input must be assigned to the function or functions to be controlled remotely. This is done in the "Installer/Define/Remote Control" menu.

In the example, terminal block K24 is selected as the input for the "HC1 Heat Mode, Ext." function.

2. Configure the function (Normally Open (NO)/Normally Closed (NC))

Define a normal mode for the external control signal; NO or NC. The setting is made for the current heating circuit in the "Installer/Define/Heating Circuit" menu.

For example, a two-way switch can be connected to the defined input.

If the button when used generates a control signal on the input (circuit closes), the circuit shall be defined as NO. When the circuit closes and the control signal is generated, the heating mode selected in the "HC1 Heating mode, ext." row is activated in the settings menu for the heating circuit.

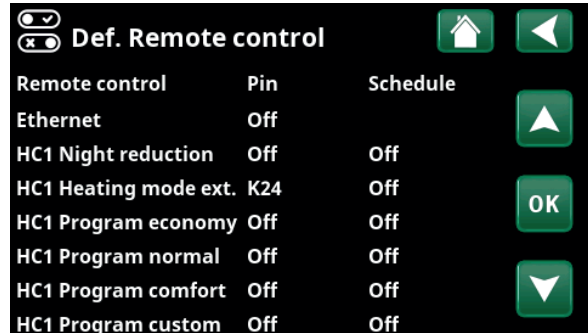
3. Setting the heating mode

In the example, the remote control function "Heating mode, ext." is set to the "Off" position in the "Heating mode, ext." row. This setting is made in the "Installer/Settings/heating circuit" menu.

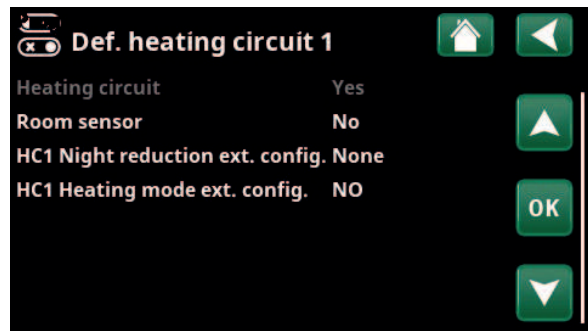
In this example, the normal heating mode is active ("On").

When input K24 is closed (the multi-button in the example generates a control signal), the status of the Heating Mode (normal mode "On" > mode "Off") changes.

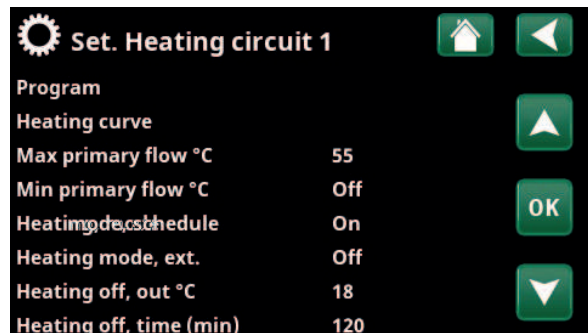
Heating remains off until you choose to start the heating (normal mode "On") by opening terminal block K24 (no signal on the terminal block).



Menu: "Installer/Define/Remote Control".
Remote control function "HC1 Heating mode, ext." is assigned to terminal block "K24".



Menu: "Installer/Define/Heating Circuit/ Heating Circuit 1". The normal mode of the remote control signal is defined in the "HC1 Heating mode ext. config" row.



Menu: "Installer/Settings/Heating Circuit/Heating Circuit 1" Remote control mode "Off" becomes active when terminal block K24 is closed.

Open terminal block = Heating mode "On" (in this example)
Closed terminal block = Heating mode "Off" (in this example)

16.10.2.2 Remote control functions

The "Installer/Define/Remote Control" menu defines Inputs for current remote control functions:

- terminal blocks K22, K23, K24, K25.
- wireless accessories in the SmartControl series (Channel 1A, 1B, 2A, 2B, 3A, 3B and so on up to 7B).
- BMS digital input 0-7. Specify a value 0-255. The value must be set again within half an hour for the setting to persist.

Ethernet (Modbus TCP/Off)

For information about Modbus TCP Port settings, refer to the "Communication" section in the "Installer/Settings" chapter.

HC1- Night reduction* (Off/K22-K25/Channel 1A-7B/BMS DI0-7)

The "Night Reduction" function can be used to, for example, lower the indoor temperature during the night or during working hours.

In the "Installer/Define/Remote Control" menu:

- specify an "Input" for the remote control function.

In the "Installer/Define/Heating Circuit" menu:

- configure the normal mode for the external control signal (Normally Open (NO)/Normally Closed (NC)).

The weekly program can be set in the "Heating/Cooling" menu.

For more information, refer to the "Night Reduction Temperature" section in the "Heating/Cooling" chapter.

HC1- Heating mode, ext.* (Off/K22-K25/Channel 1A-7B/BMS DI0-7)

Switching between heating season and summer season can take place at a specific outdoor temperature (Auto) or heating can be either always "On" or "Off".

In the "Installer/Define/Remote Control" menu:

- specify an "Input" for the remote control function.

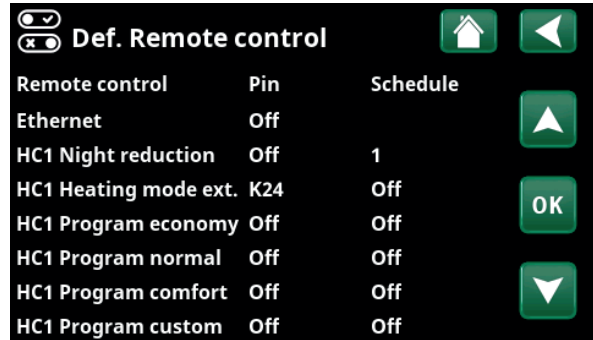
In the "Installer/Define/Heating Circuit" menu:

- configure the normal mode for the external control signal (Normally Open (NO)/Normally Closed (NC)).

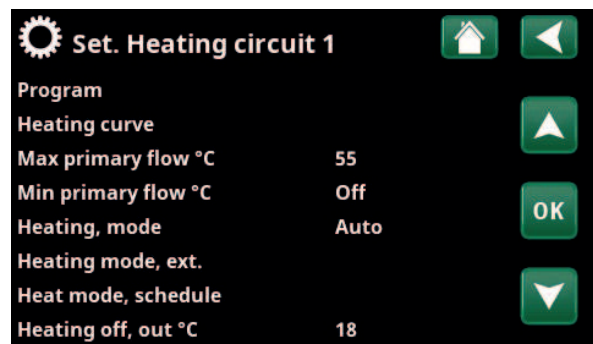
In the "Installer/Settings/Heating Circuit" menu:

- set "Remote Control Mode" ("On", "Off" or "Auto") in the "Heating mode, ext." row.
- Access function scheduling from the "Heat mode, schedule" row.

For more information, refer to the "Heating Circuit" section in the "Installer/Settings" chapter. Also refer to the "Your home's heating settings" chapter.



Part of the "Installer/Define/Remote Control" menu. "Input" and "Weekly Program" are defined here.



Menu: "Installer/Settings/Heating Circuit". The remote control mode for the heating circuit is set on menu bar "Heating mode, ext.". Access the weekly program from the menu bar "Heating mode, schedule".

*The number of possible heating circuits or heat pumps that can be connected to the system varies depending on the control system.

HC1- Program economy/normal/comfort/custom ext. config. (Off/K22-K25/Channel 1A-7B / BMS DI0-7)

The program functions "Economy", "Normal" "Comfort" and "Custom" can be used to change the indoor temperature for a certain period.

In the "Installer/Define/Remote Control" menu:

- specify an "Input" for the remote control function.

In the "Installer/Define/Heating circuit":

- configure the normal mode for the external control signal (Normally Open (NO)/Normally Closed (NC))

Setting the weekly schedule is done from the "Heating/Cooling/Program" menu.

For more information, see section "Heating program" in chapter "Heating/Cooling".

Extra DHW (Off/K22-K25/Channel 1A-7B / BMS DI0-7)

Upon activation, production of extra DHW begins. When activation stops, extra DHW is produced for a run-on time of 30 min. The "Stop temperature" for extra DHW is set in the "Installer/Settings /DHW Tank/DHW program" menu.

In the "Installer/Define/Remote Control" menu:

- specify an "Input" for the remote control function.

In the "Installer/Define/DHW Tank" menu:

- configure the normal mode for the external control signal (Normally Open (NO)/Normally Closed (NC)).

Setting extra DHW production to start immediately can also be done in the "DHW" menu. The weekly program for extra DHW can also be set in this menu.

For more information, refer to the "Extra DHW" section in the "DHW" chapter.

Block Cooling

(Off/K22-K25/Channel 1A-7B / BMS DI0-7)

In the "Installer/Define/Remote Control" menu:

- specify an "Input" for the remote control function.

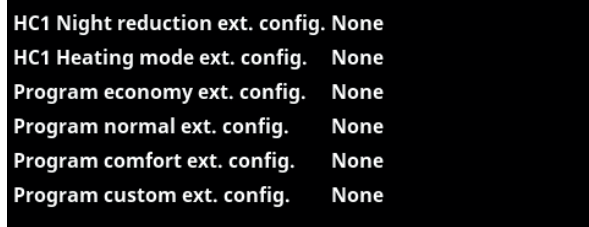
In the "Installer/Define/Cooling" menu:

- configure the normal mode for the external control signal (Normally Open (NO)/Normally Closed (NC)).

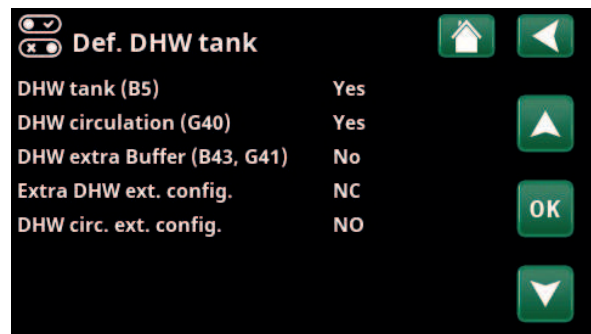
In the "Installer/Settings/Cooling" menu:

- set the remote control mode ("Yes") in the "Ext. block cooling" row.
- Access function scheduling from the "Block cooling, sched." row.

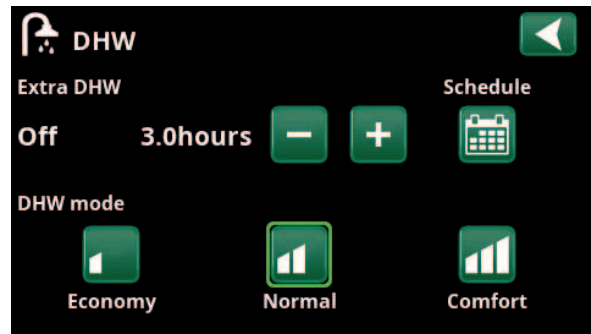
For more information, refer to the "Cooling" section in the "Installer/Settings" chapter.



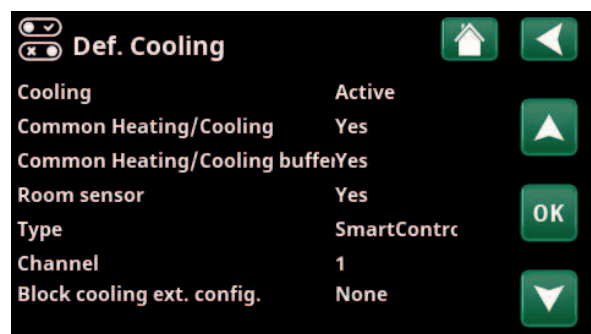
Menu "Installer/Define/Heating circuit". In the menu bars "Program economy / normal / comfort / custom ..." the normal mode is indicated on the external control signal ("Normally Open (NO)" or "Normally Closed (NC)").



Menu: "Installer/Define/DHW Tank". On menu bar "Extra DHW ext. config.", the normal mode is specified for the external control signal ("Normally Open (NO)" or "Normally Closed (NC)").



Setting the "Extra DHW" in the "DHW" menu.



Menu "Installer / Define /Cooling". On menu bar "Block cooling ext. config.", the normal mode is specified for the external control signal ("Normally Open (NO)" or "Normally Closed (NC)").

Block Pool

(Off/K22-K25/Channel 1A-7B / BMS DI0-7)

This function is used to block pool heating.

In the "Installer/Define/Remote Control" menu:

- specify an "Input" for the remote control function.

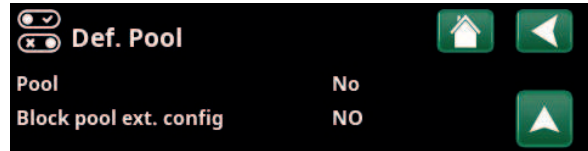
In the "Installer/Define/Pool" menu:

- configure the normal mode for the external control signal (Normally Open (NO)/Normally Closed (NC)).

In the "Installer/Settings/Pool" menu:

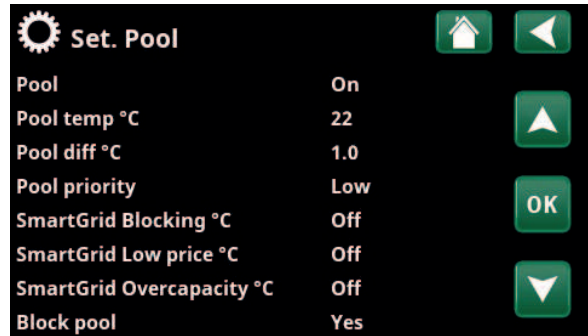
- set the "remote control mode" ("On") in the "Blocking Pool" row.
- Access function scheduling from the "Block. pool, schedule" row.

For more information, refer to the "Pool" section in the "Installer/Settings" chapter.



Menu: "Installer/Define/ Pool".

A mode for the external control signal ("Normally Open (NO)" or "Normally Closed (NC)") is defined in the "Installer/Define/Pool" menu.



Menu: "Installer/Settings/Pool".

Activate this function via an external control signal or a weekly program.

Tariff EL

(Off/K22-K25/Channel 1A-7B / BMS DI0-7)

This function is used to block the electric heater during periods when the electricity rate is higher.

In the "Installer/Define/Remote Control" menu:

- specify an "Input" for the remote control function.

In the "Installer/Settings/Additional Heat" menu:

- set "remote control mode" ("Yes") in the "Tariff EL" row.
- Access function scheduling from the "Tariff EL" row.

For more information, refer to the "Additional Heat/Tariff EL" section in the "Installer/Settings" chapter.



Menu: "Installer/Settings/Additional Heat".

Setting "Tariff EL" via an external control signal or a weekly program.

Round circulation

(Off/K22-K25/Channel 1A-7B / BMS DI0-7)

Round circulation is an equipment that the electricity supplier can mount, for a shorter time, to disconnect power-intensive equipment. Compressor and electric power are blocked when round circulation is active.

In the "Installer/Define/Remote Control" menu:

- specify an "Input" for the remote control function.

In the "Installer/Settings" menu:

- Access function scheduling from the "Round circ. schedule" row.

For more information, refer to the "Round circulation" section in the "Installer/Settings" chapter.



Menu: "Installer/Settings". Setting a "Round circulation" weekly program.

DHW circulation

(Off/K22-K25/Channel 1A-7B / BMS DI0-7)

The function allows DHW to circulate in the pipes between the taps and the DHW tank, ensuring that the DHW is hot when the taps are opened.

In the "Installer/Define/Remote Control" menu:

- specify an "Input" for the remote control function.

In the "Installer/Define/DHW Tank" menu:

- configure the normal mode for the external control signal (Normally Open (NO)/Normally Closed (NC)) in the "DHW circ. ext. config." row.

In the "Installer/Settings/DHW Tank" menu:

- Access function scheduling from the "DHW circ. schedule" row.

For more information, refer to the "DHW Tank" section in the "Installer/Settings" chapter.

Heating buffer tank

(Off/K22-K25/Channel 1A-7B / BMS DI0-7)

The buffer tank helps to maintain a more even temperature in the heating circuit.

In the "Installer/Define/Remote Control" menu:

- specify an "Input" for the remote control function.

In the "Installer/Define/Buffer Tank" menu:

- configure the normal mode for the external control signal (Normally Open (NO)/Normally Closed (NC)) in the "Buffer tank ext. config." row.

In the "Installer/Settings/Buffer Tank" menu:

- Access function scheduling from the "Buffer tank schedule" row.

For more information, refer to the "Buffer Tank" section in the "Installer/Settings" chapter.

Flow/level switch

(Off/K22-K25/Channel 1A-7B / BMS DI0-7)

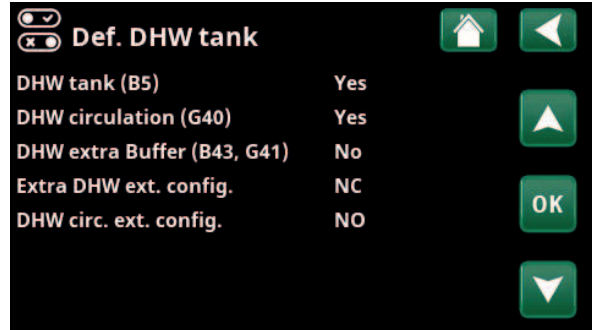
The flow/level switch produces an alarm on the heat pump.

In the "Installer/Define/Remote Control" menu:

- specify an "Input" for the remote control function.

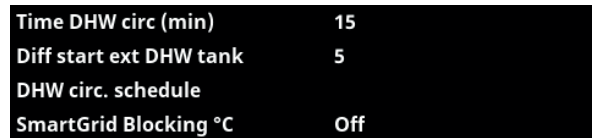
In the "Installer/Define/Heat Pump" menu:

- configure the normal mode for the external control signal (Normally Open (NO)/Normally Closed (NC)) in the "Flow/level switch" row.



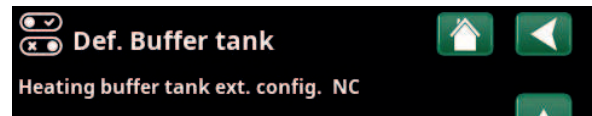
Menu: "Installer/Define/DHW Tank".

Define a mode (Normally Open (NO) or Normally Closed (NC)) for the external control signal.



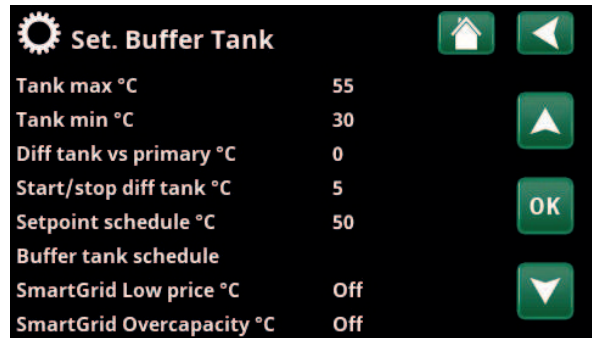
Menu: "Installer/Settings/DHW Tank".

Setting a "DHW circulation" weekly program.



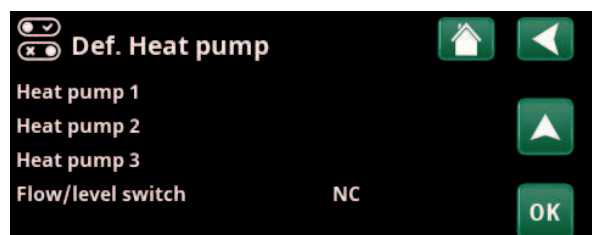
Menu: "Installer/Define/Buffer Tank".

A mode for the external control signal ("Normally Open (NO)" or "Normally Closed (NC)").



Menu: "Installer/Settings/Buffer Tank".

Activate this function via an external control signal or a weekly program.



Menu: "Installer/Define/Heat Pump".

A mode for the external control signal ("Normally Open (NO)" or "Normally Closed (NC)").

SmartGrid A / SmartGrid B
(Off/K22-K25/Channel 1A-7B / BMS DI0-7)

In the "Installer/Define/Remote Control" menu:

- specify an "Input" for the remote control function.

There are three SmartGrid functions:

- SmartGrid Low Price
- SmartGrid Overcapacity
- SmartGrid Blocking

Example of "SmartGrid Low Price" for pool heating

In this example, "SmartGrid A" and "SmartGrid B" have been assigned terminal blocks K22 and K23, respectively. In addition, SmartGrid A is assigned "Weekly Program #1".

According to the settings in the "Set. Pool" menu, the pool setpoint will be increased by 5°C when the electricity price is low (when the "SmartGrid Low price" function is active) and the setpoint will be decreased by 10°C* when the electricity price is high (when the "SmartGrid Blocking" function is active).

SmartGrid functions can be set (depending on system configuration/heat pump model) for Heating circuit including Heating program economy/comfort/custom, Heat pumps, Additional heating, Cooling, Pool, DHW tank, Buffer tank and Upper* and Lower* tank.

Heating circuit 1-*

- SmartGrid Blocking (Off/On)
- SmartGrid Low price °C (Off/1...5 °C)
- SmartGrid Overcapacity °C (Off/1...5 °C)

Heating program

-Comfort:

- SmartGrid Low price °C (Off/On)
- SmartGrid Overcapacity °C (Off/On)

-Custom:

- SmartGrid Low price °C (Off/On)
- SmartGrid Overcapacity °C (Off/On)
- SmartGrid Blocking (Off/On)

-Economy:

- SmartGrid Blocking (Off/On)

Heat pump*

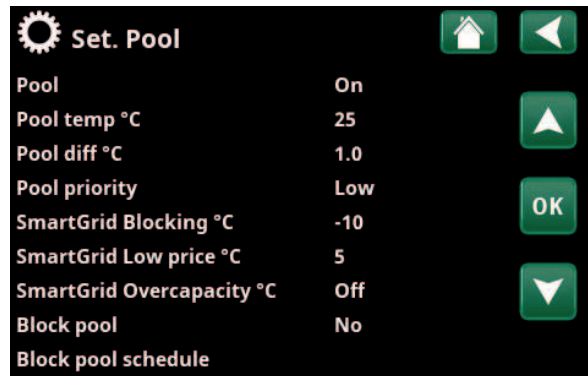
- SmartGrid Blocking HP (Yes/No)

Additional Heat/Electric Heater

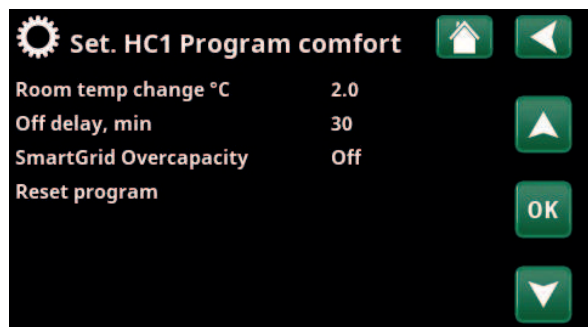
- SmartGrid Blocking EL (Yes/No)
- SmartGrid Blocking Mixing valve (Yes/No)

Cooling

- SmartGrid Low Price °C (Off/1...5 °C)
- SmartGrid Overcapacity °C (Off/1...5 °C)



Menu: "Installer/Settings/Pool".
The pool temperature is increased by 1 °C when the SmartGrid Low Price function is activated.



Menu "Installer/Settings/Heating Circuit/Heating Circuit 1/Program/Comfort".

*The number of possible heating circuits or heat pumps that can be connected to the system varies depending on the control system.

Pool

- SmartGrid Blocking °C (Off/-1...-50 °C)
- SmartGrid Low Price °C (Off/1...50 °C)
- SmartGrid Overcapacity °C (Off/1...50 °C)

DHW tank/Lower tank/Upper tank

- SmartGrid Blocking °C (Off/-1...-50 °C)
- SmartGrid Low Price °C (Off/1...30 °C)
- SmartGrid Overcapacity °C (Off/1...30 °C)

Buffer tank

- SmartGrid Low Price °C (Off/1...30 °C)
- SmartGrid Overcapacity °C (Off/1...30 °C)

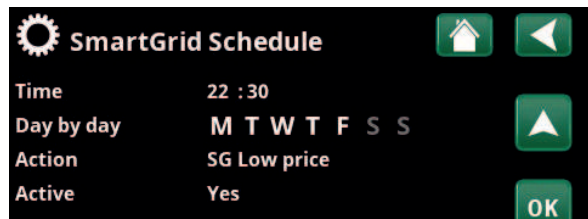
SmartGrid functions are enabled by activating the SmartGrid inputs in different ways according to the table on the right.

To enable the SmartGrid function "SG Low Price" as shown in the example, terminal block K23 must have power while terminal block K22 should remain unchanged.

The pool temperature increase that will apply when "SG Low Price" is activated is set in the "Pool Settings" menu, as shown in the example.

Alternatively, a weekly program can be set up for periodic SmartGrid activation. Refer to the "Weekly Program" chapter for more information.

| K22 (SG A) | K23 (SG B) | Function |
|------------|------------|--------------|
| Open | Open | Normal |
| Open | Closed | Low price |
| Closed | Closed | Overcapacity |
| Closed | Open | Blocking |



The weekly program is set to start at 22:30, weekdays.

Vent. Reduced/Vent. Normal/Vent. Boost/

Vent. Custom/Vent. Unoccupied

(Off/K22-K25/Channel 1A-7B / BMS DI0-7)

When there is a signal in the respective ventilation function's remote control input, the selected ventilation mode will start and be active for half an hour.

In the "Installer/Define/Remote Control" menu:

- specify and "Input" for current ventilation functions.

Click the Ventilation symbol in the start menu to access the "Ventilation" menu, where ventilation settings can be made. The weekly program can also be accessed from there. However, a weekly program cannot be specified for the "Vent. Unoccupied" ventilation mode.

For more information, please refer to the CTC EcoVent ventilation product manual.

Tariff HP (1-*)

(Off/K22-K25/Channel 1A-7B / BMS DI0-7)

This function is used to block the heat pump during periods when the electricity rate is higher.

In the "Installer/Define/Remote Control" menu:

- specify an "Input" for the remote control function.

In the "Installer/Define/Heat Pump" menu:

- configure the normal mode for the external control signal (Normally Open (NO)/Normally Closed (NC)) in the "Tariff HP ext. config." row.

In the "Installer/Settings/Heat Pump/Heat Pump (1-)*" menu:

- set "Tariff HP" ("On").

For more information, refer to the "Heating Pump" section in the "Installer/Settings" chapter.

HP Noise Reduction (1-*)

(Off/K22-K25/Channel 1A-7B / BMS DI0-7)

This function can be used to reduce compressor speed in order to reduce the noise level.

In the "Installer/Define/Remote Control" menu:

- specify an "Input" for the remote control function.

In the "Installer/Define/Heat Pump" menu:

- configure the normal mode for the external control signal (Normally Open (NO)/Normally Closed (NC)) in the "Noise reduction ext. config." row.

In the "Installer/Settings/Heat Pump/Heat Pump 1*" menu:

- in the "Ext.Noise reduction RPS" row, set the compressor speed value applicable for remote control.

For more information, refer to the "Heating Pump" section in the "Installer/Settings" chapter.

HP Silent Mode (1-*)

(Off/K22-K25/Channel 1A-7B / BMS DI0-7)

This function can be used to reduce compressor speed and fan speed in order to reduce the noise level.

*Only applies to certain air-to-water heat pumps

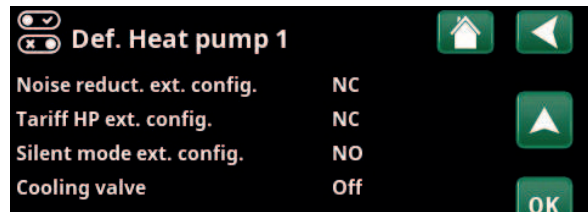
In the "Installer/Define/Remote Control" menu:

- specify an "Input" for the remote control function.

In the "Installer/Define/Heat Pump" menu:

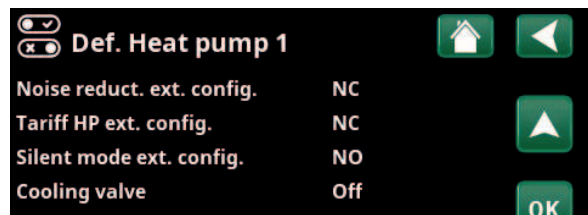
- configure the normal mode for the external control signal (Normally Open (NO)/Normally Closed (NC)) in the "Silent mode ext. config." row.

For more information, refer to the "Heating Pump" section in the "Installer/Settings" chapter.



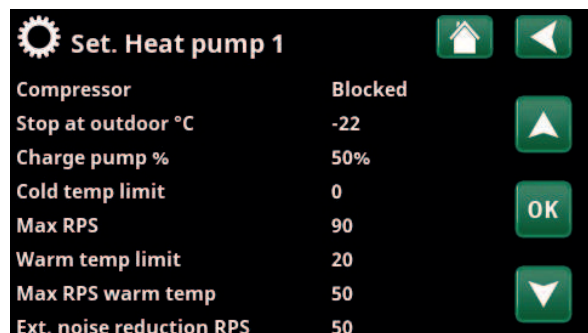
Menu: "Installer/Define/Heat Pump".

A mode for the external control signal ("Normally Open (NO)" or "Normally Closed (NC)") is defined for "Tariff HP ext. config.".



Menu: "Installer/Define/Heat Pump".

A mode for the external control signal ("Normally Open (NO)" or "Normally Closed (NC)") is defined for "Noise reduction ext. config.".



Menu: "Installer/Settings/Heat Pump /Heat Pump 1-".

Set the compressor speed value applicable for remote control in the "Ext.Noise reduction RPS" row.

*The number of possible heating circuits or heat pumps that can be connected to the system varies depending on the control system.

16.10.3 Def. heating circuit

Heating circuit 1-* Yes (Yes/No)

Heating circuit 1 (HC1) is predefined.

The rows under Heating Circuit 1 show the other definable heating circuits (HC 2-3 in the example).

The heating circuits shown depend, among other things, on which heating circuits are part of the defined System Type (1-6).

Room sensor Yes (Yes/No)

Select "Yes" if room sensors should be connected to the heating circuit.

Type **Wireless (Cable/Wireless/SmartControl)**

Select whether the room sensor for the heating circuit has a wired (via cable) or wireless connection.

- **Wireless**
Select "Wireless" to connect CTC's wireless room sensors to the heating circuit. Refer to the "CTC Wireless Room Sensor" manual for information on how to connect these sensors.
- **SmartControl**
SmartControl is a separate series of wireless accessories. If "SmartControl" is selected, the connection channel must be selected in the row below. SmartControl accessories are connected to the system via the "Installer/Define/SmartControl" menu. Refer to the separate SmartControl Accessories manual.

HC1- Night reduction ext. config. **None**
(None/NO/NC)

This menu defines the Normally Open (NO) or Normally Closed (NC) mode for the external control signal when remotely controlling the function.

For examples of normal mode settings, refer to the "Def. Remote Control" section of the "Installer/Define" chapter.

HC1- Heating mode ext. config. **None**
(None/NO/NC)

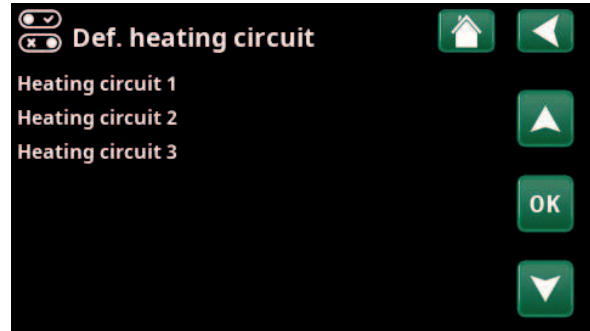
This menu defines the Normally Open (NO) or Normally Closed (NC) mode for the external control signal when remotely controlling the function.

For examples of normal mode settings, refer to the "Def. Remote Control" section of the "Installer/Define" chapter.

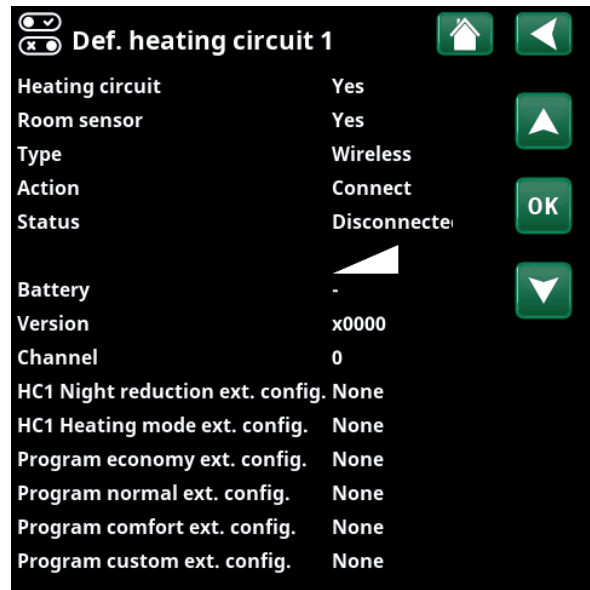
Program ** ext. config. **None (None/NO/NC)**
****economy/normal/comfort/custom**

This menu defines the Normally Open (NO) or Normally Closed (NC) mode for the external control signal when remotely controlling the function.

For examples of how to set the normal mode, refer to the "Installer/Define/Remote Control" chapter.



Menu: "Installer/Define/Heating Circuit".
Select a heating circuit and press "OK" to access the settings.



Menu: "Installer/Define/Heating Circuit/Heating Circuit 1". Wireless room sensor selected.

*The number of possible heating circuits or heat pumps that can be connected to the system varies depending on the control system.

16.10.4 Def. Heat pump

Heat pump 1-* **On/Off**

Select a heat pump to be connected to the system and press "OK" to access the settings.

Flow/level switch **NC (None/NC/NO)**

This menu bar is displayed if an "Input" for remote control is defined for the "Flow/level switch" function in the "Installer/Define/Define Remote Control" menu.

16.10.4.1 Def. Heat pump 1

Noise reduct. ext. config. **NC (None/NC/NO)**

This menu bar is displayed if an "Input" for remote control is defined for the "HP Noise Reduction" function in the "Installer/Define/Remote Control" menu.

Tariff HP ext. config. **NC (None/NC/NO)**

This menu bar is displayed if an "Input" for remote control is defined for the "HP Tariff" function in the "Installer/Define/Remote Control" menu.

Silent mode ext. config.** **NO (None/NC/NO)**

This menu bar is displayed if an "Input" for remote control is defined for the "Silent Mode" function in the "Installer/Define/Remote Control" menu.

Cooling valve **Off (Off/On)**

Select whether the cooling valve is to be "On" or "Off".

16.10.5 Def. Communication

myUplink **No (Yes/No)**

Select "Yes" to connect to the heat pump from the myUplink app

Web **No (Yes/No)**

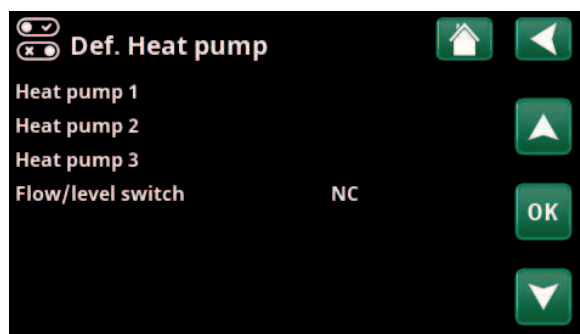
Select "Yes" to connect to the local web server. Internet router and firewall required.

El.prices **myUplink/myUplink ext./BMS/No**

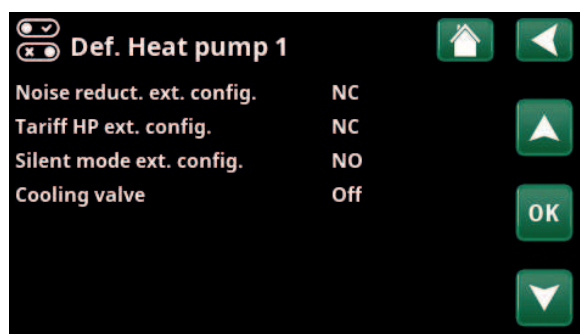
Select "myUplink" to connect the heat pump to the myUplink mobile app for electricity price control.

Select "myUplink ext." to connect via myUplink to an external price control app. This option is not available at the moment.

Select "BMS" to connect via property management.



Menu: "Installer/Define/Heat Pump". Select a heat pump and press "OK" to access the settings.



Menu: "Installer/Define/Heat Pump/Heat Pump 1".



Menu: "Installer/Define/Communication".

**The number of possible heating circuits or heat pumps that can be connected to the system varies depending on the control system.*

**Only applies to certain air-to-water heat pumps.*

16.10.6 Def. DHW tank

This menu bar is displayed if "System Types" 2-6 are selected in the "Installer/Define/System Type" menu ("System Type 1" does not include the DHW tank).

DHW tank (B5) Yes (Yes/No)

Specify whether sensor (B5) in the DHW tank is connected.

DHW circulation (G40)* Yes (Yes/No)

Specify whether the circulation pump (G40) is connected to the DHW system.

DHW extra Buffer (B43, G41)* No (Yes/No)

Specify whether the circulation pump (G41) and external DHW tank sensor (B43) are connected to the DHW system.

Extra DHW ext. config. NC (None/NC/NO)

This menu defines the Normally Open (NO) or Normally Closed (NC) mode for the external control signal when remotely controlling the function.

For examples of normal mode settings, refer to the "Def. Remote Control" section of the "Installer/Define" chapter.

DHW circ. ext. config. NO (None/NC/NO)

This menu bar is displayed if "DHW circulation (G40)" is defined as above.

This menu defines the Normally Open (NO) or Normally Closed (NC) mode for the external control signal when remotely controlling the function.

For examples of normal mode settings, refer to the "Def. Remote Control" section of the "Installer/Define" chapter.

16.10.7 Def. Heating buffer tank

Heating buffer tank ext. config. NC (None/NC/NO)

This menu bar is displayed if "System Types" 2-6 are selected in the "Installer/Define/System Type" menu ("System Type 1" does not include the buffer tank).

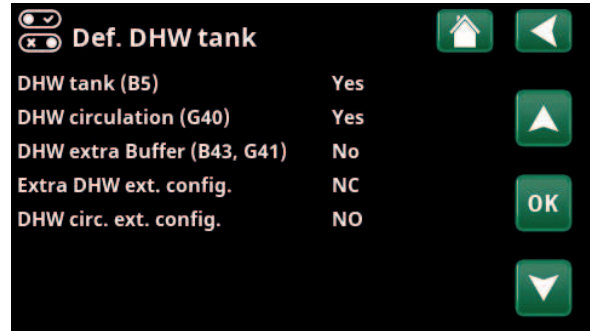
This menu defines the Normally Open (NO) or Normally Closed (NC) mode for the external control signal when remotely controlling the function.

For examples of normal mode settings, refer to the "Def. Remote Control" section of the "Installer/Define" chapter.

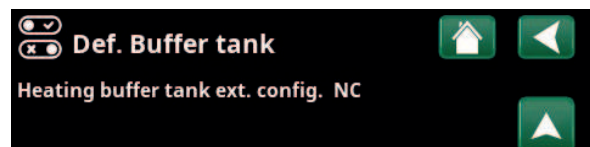
16.10.8 Def. Wood boiler

This menu bar is displayed if "System Type 1" is selected in the "Installer/Define/System Type" menu ("System Types 2-6" do not include "Wood Boiler").

Select "Yes" in the "Wood Boiler" row if wood is to be burned and the flue gas sensor (B8) is connected to the system.



Menu: "Installer/Define/DHW Tank".



Menu: "Installer/Define/Buffer Tank".

*Applies if the CTC Expansion accessory has been installed.

16.10.9 Def. Cooling*

Cooling **No (Passive/No/Active)**

Selection "Passive" means that passive cooling is used. Selection "Active" means that the compressor produces cooling.

Common Heating/Cooling** **No (Yes/No)**

Selection "Yes" means that heating and cooling are distributed in the same heating circuit.

Common Heating/Cooling buffer** **No (Yes/No/No buffer)**

Selection "Yes" means that heating and cooling are distributed in the same buffer tank.

Room sensor **No (Yes/No)**

Specify whether room sensors are to be connected to the heating circuit.

Type **Cable/SmartControl**

Select whether the heating circuit room sensor is:

- **Cable**
Wired room sensor.
- **SmartControl**
SmartControl is a separate series of wireless accessories. If "SmartControl" is selected, the connection channel must be selected in the row below. These accessories must be connected to the heating circuit via the "Installer/Define/SmartControl" menu. Refer to the separate "Installation and Maintenance Manual" for the SmartControl accessory.

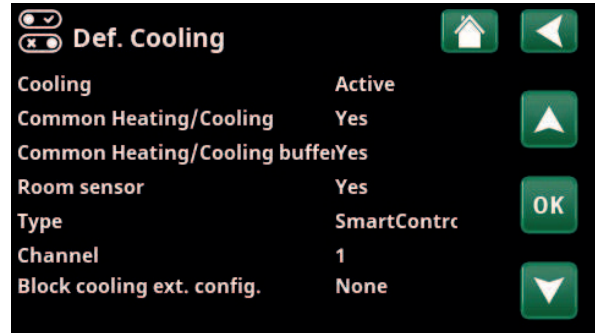
Block cooling ext. config. **None (None/NC/NO)**

This menu bar is displayed if an "Input" for remote control is defined for the "Block Cooling" function in the "Installer/Define/Remote Control" menu.

The function can be used to turn off cooling with the help of a humidity sensor when there is a risk of condensation.

This menu defines the Normally Open (NO) or Normally Closed (NC) mode for the external control signal when remotely controlling the function.

For examples of normal mode settings, refer to the "Def. Remote Control" section of the "Installer/Define" chapter.



Menu: "Installer/Define/Cooling".

*Applies if the CTC Expansion accessory has been installed.

**This menu bar is only displayed if active cooling has been defined in the "Installer/Define/Cooling" menu.

16.10.10 Def. Pool*

Pool **No (Yes/No)**

Select "Yes" to connect the pool if circulation pumps (G50) and (G51) and pool sensor (B50) are connected to the system.

Block pool ext. config **NO (None/NC/NO)**

This menu bar is displayed if an "Input" for remote control is defined for the "Block Pool" function in the "Installer/Define/Remote Control" menu.

This menu defines the Normally Open (NO) or Normally Closed (NC) mode for the external control signal when remotely controlling the function.

For examples of normal mode settings, refer to the "Def. Remote Control" section of the "Installer/Define" chapter.



Menu: "Installer/Define/Pool".

16.10.11 Def. Ventilation/EcoVent

Ventilation **EcoVent 2x (EcoVent 2x/No)**

This defines whether the EcoVent ventilation product is to be connected to the system.

The menus below define the Normally Open (NO) or Normally Closed (NC) mode for the external control signal when remotely controlling the function. This menu bar is displayed for the functions for which an "Input" for remote control is defined.

Vent. Red. ext. config. **None (None/NC/NO)**

Setting for the "Reduced" ventilation mode.

Vent. Norm. ext. config. **None (None/NC/NO)**

Setting for the "Normal" ventilation mode.

Vent. Boost ext. config. **None (None/NC/NO)**

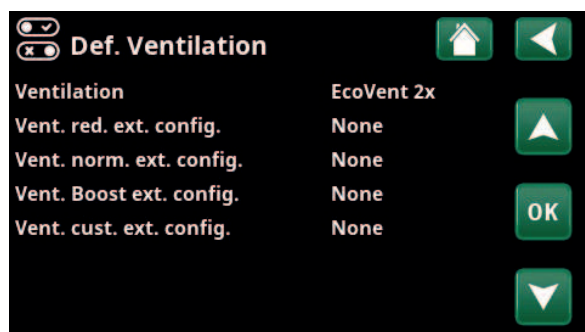
Setting for the "Boost" ventilation mode.

Vent. Cust. ext. config. **None (None/NC/NO)**

Setting for the "Custom" ventilation mode.

For examples of normal mode settings, refer to the "Def. remote control" section in the "Installer/Define" chapter.

Refer also to the "Installation and Maintenance Manual" for CTC EcoVent.



Menu: "Installer/Define/Ventilation".

*Applies if the CTC Expansion accessory has been installed.

16.10.12 Def. Solar panels*

Solar panels **No (Yes/No)**

Select "Yes" to connect solar panels if the circulation pump (G30) as well as the "In" solar panel sensor (B30) and "Out" solar panel sensor (B31) are connected to the system.

Type

Specify whether the solar energy heat should be supplied:

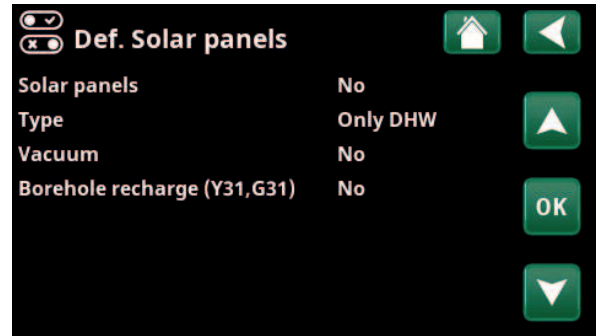
- DHW tank only ("Only DHW").
- buffer tank only ("Only Buffer").
- hot water and buffer tank ("DHW and Buffer").
- boiler only ("Boiler").
If this is selected, the solar panels will pre-heat the hot water in the boiler.
Only shown for System Type 1.

Vacuum **No (Yes/No)**

Specify whether the solar panels are vacuum or flat solar panels.

Borehole recharge (Y31, G31) **No (Yes/No)**

There is an option of recharging the borehole using energy from the solar panels when the ordinary heating and domestic DHW needs have been met.



Menu: "Installer/Define/Solar Panels".

*Applies if the CTC Expansion accessory has been installed.

16.10.13 Def. SMS

Activate **No (Yes/No)**

If "Yes" is selected, the menus below are displayed:

Level of signal

The signal strength of the reception is shown here.

Phone Number 1

The first activated phone number is shown here.

Phone Number 2

The second activated phone number is shown here.

Hardware Version

The hardware version of the SMS accessory is shown here.

Software Version

The software version of the SMS accessory is shown here.

NB: For more information about the SMS function, refer to the "Installation and Maintenance Manual" for CTC SMS.

16.10.14 Def. SmartControl

SmartControl is a separate series of wireless accessories.

SmartControl **No (Yes/No)**

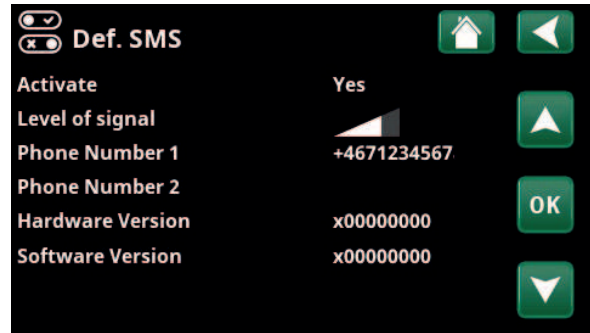
If "Yes" is selected, SmartControl accessories can be connected to the heating circuit. Refer to the connection procedure in the separate SmartControl Accessories manual.

16.10.15 Def. Current sensor

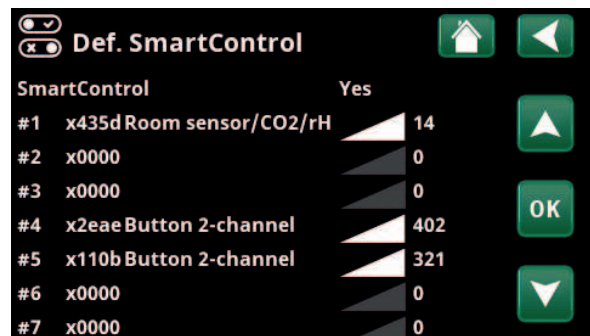
Current sensor **Yes (Yes/No)**

Select "Yes" if current sensors are to be connected to the system.

For more information, refer to the "Current Sensors" section in the "Installer/Settings" chapter.



Menu: "Installer/Define/ SMS".



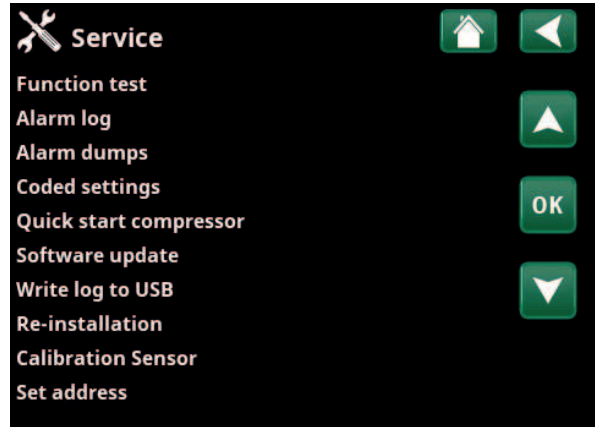
Menu: "Installer/Define/SmartControl".



16.11 Service



NB: This menu is intended for the installer only.



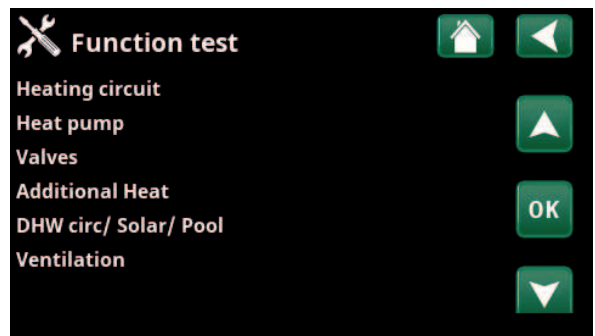
Menu: "Installer/Service".

16.11.1 Function test

From this menu, the installer can test the connection and function of separate components of the heating circuit. When this menu is activated, all control functions are stopped. The only protection against incorrect operation are the pressure sensors and the electric heater's overheating protection device. The heat pump returns to normal operation after 10 minutes of inactivity or when exiting the "Function Test" menu. When the menu is opened, all automatic functions are stopped and testing can be performed.



When you exit the menu, the heat pump returns to normal operation.



Menu: "Installer/Service/ Function Test".

16.11.1.1 Test Heating Circuit*

If several heating circuits have been installed, they will all be displayed here.

Mixing valve (1-)

Opens and closes the respective mixing valve.

Heating circ pump (1-) Off (On/Off)

Starts and stops the respective radiator pump.

LED room sensor Off (On/Off)

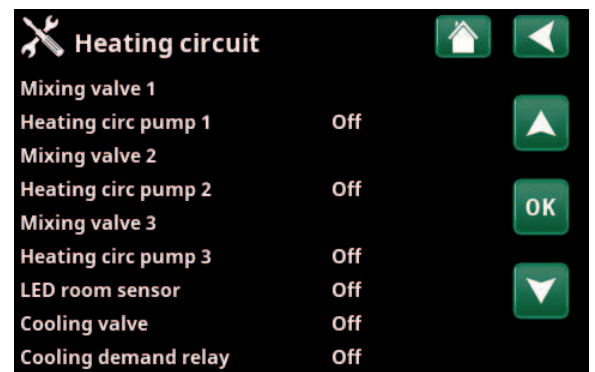
The room sensor alarm functions can be controlled from here. When activated, the respective room sensor's red LED comes on steady.

Cooling valve Off (On/Off)

Function test of 3-way valve Y61.

Cooling, demand relay Off (On/Off)

Function test of 3-way valve Y62.



Menu: "Installer/Service/ Function Test/Heating Circuit".

*The number of possible heating circuits or heat pumps that can be connected to the system varies depending on the control system.

16.11.1.2 Test Heat Pump*

Select the heat pump (1-*) for function testing and select "Go to Menu Test".

HP Compressor Off (On/Off)

When the compressor is being function tested, the brine and charge pump are also operating so that the compressor does not trigger its pressure switches.

HP Brine pump/Fan Off (Off/On)

Function test brine pump or fan (air-to-water HP).

HP Charge pump 0 (0...100%)

Function test charge pump 0-100%.

Defrost Manually Off (Off/On)

When the "Manual defrosting" function is tested, a defrosting cycle will be performed in the air-to-water heat pump. Defrosting cannot be stopped once it has been started and the defrosting programme will be completed.

Compressor heat Off (Off/On)

Function test compressor heater.

Drip tray heater Off (Off/On)

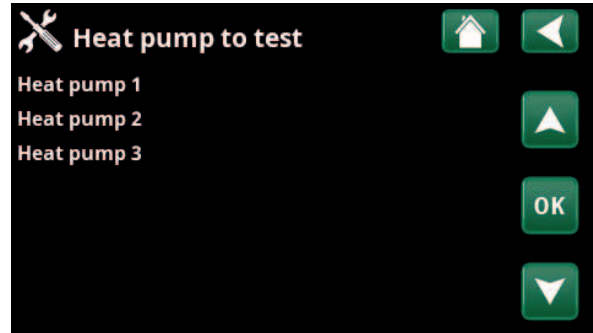
Function test of the condenser tray heater.

Heating cable Off (Off/On)

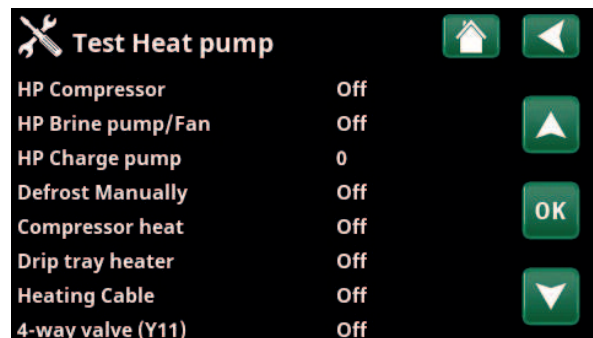
Function test heating cable.

4-way valve (Y11) Off (Off/On)

Function test 4-way valve (Y11). Fitted to air-to-water HP.



Menu: "Installer/Service/Function Test/Heat Pump".



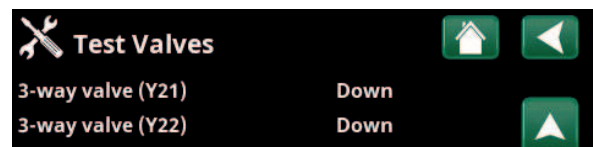
Menu: "Installer/Service/Function Test/Heat Pump/Heat Pump 1".

16.11.1.3 Test Valves

The following valves are function tested from this menu:

3-way valve (Y21) Down (Up/Down)

3-way valve (Y22) Down (Up/Down)



Menu: "Installer/Service/Function Test/Valves".

16.11.1.4 Test Additional Heat

Here, the output stage of the internal electric heater (E2) and connected additional heat sources are tested.

Relay Output (E1) Off (On/Off)

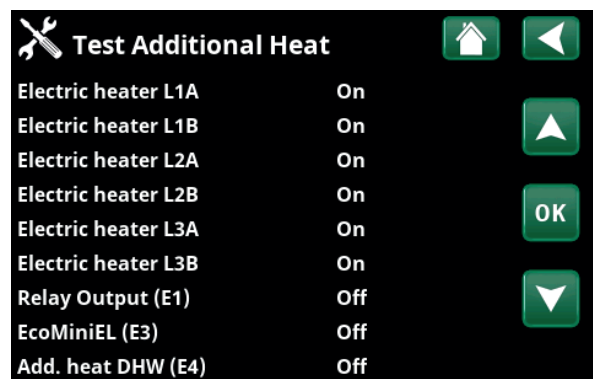
Switches the relay output on and off.

EcoMiniEL (E3) Off (1...3/Off)

Function test 3 steps.

Add. heat DHW (E4) Off (On/Off)

Switches the immersion heater for DHW production on and off.



Menu: "Installer/Service/Function Test/Additional Heat".

*The number of possible heating circuits or heat pumps that can be connected to the system varies depending on the control system.

16.11.1.5 Test DHW circ/Solar/Pool*

The following pumps/valves are function tested from this menu:

DHW circulation pump (G40) On (On/Off)

Switches the circulation pump on and off.

DHW tank pump (G41) On (On/Off)

Switches the circulation pump on and off.

Pump solar panel (G30) 0% (0...100)

Tests the circulation pump to full speed (rpm).

Solar heat exchanger pump (G32) 0% (0...100)

Tests the solar heat exchanger pump up to full speed (rpm).

Solar 3-way valve (Y30) DHW (DHW/HC)

Tests the two modes on the valve: flow to DHW tank or buffer tank.

Solar charge borehole (Y31/G31) Off (On/Off)

Tests the 3-way valve (Y31) and solar heat exchanger pump (G31).

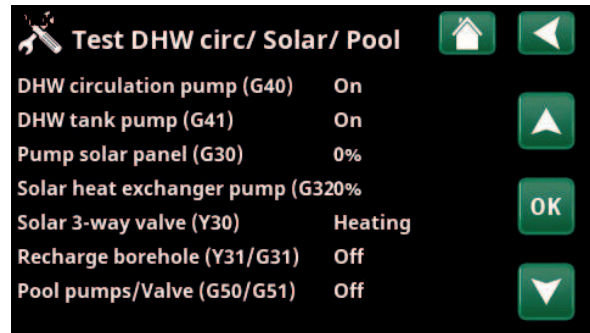
Pool pumps and valve (G50, G51) Off (On/Off)

Tests the pool pumps and valve (G50, G51).

16.11.1.6 Test EcoVent*

Exhaust fan M40 0% (0...100)

In this menu, the exhaust fan (M40) is functionally tested up to full speed (100%).



Menu: "Installer/Service/ Function Test/DHW Circulation/Solar/Pool".

*Applies if the CTC Expansion accessory has been installed.

16.11.2 Alarm log

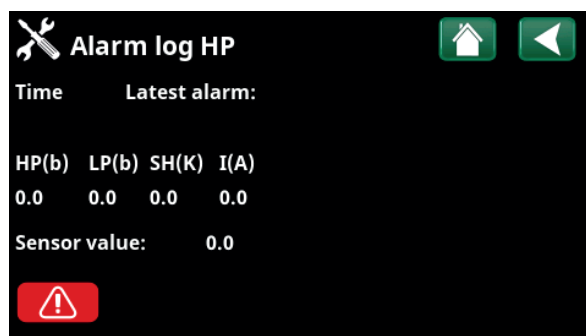
In the alarm log, up to 500 alarms can be displayed at the same time.

An alarm which reoccurs within an hour is ignored so as not to fill up the log.

Click an alarm row to see more information about an alarm.

If it is a "sensor alarm", a sensor value will be displayed at the bottom of the page from when the alarm was triggered for further troubleshooting.

For alarms related to the heat pump, values can be displayed from sensors for pressure (HP, LP), temperature (SH=Superheating) and current (I).



Menu: "Installer/Service/ Alarm log".

- ! NB: Only an authorised service engineer is allowed to log in to the Factory settings coded option. Severe operational problems and faults may occur affecting the product if values are amended without authorisation. Note that in such cases the warranty terms do not apply.

16.11.3 Alarm dumps

Export the alarms displayed in the alarm log to a USB drive. A dump can consist of one or more alarms as well as specific values before and after the alarm was triggered.

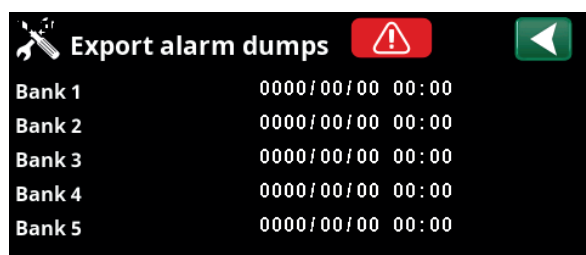
16.11.4 Coded settings

This menu is intended to set the manufacturer's operational and alarm limits. A 4-digit code must be specified to be able to amend these limits. However, you can also look without any code to see what options feature in the menu.

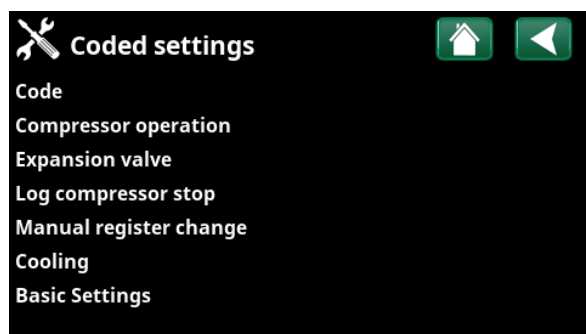
16.11.5 Quick start compressor

The delay normally prevents compressor start earlier than 10 mins after compressor stop. The delay is also activated in the event of a power failure, or the first time after production is started. This function speeds up this process.

For "System Types" 1 to 3, the degree minute loss is set to the value that starts all heat pumps.



Menu: "Installer/Service/Alarm Dumps".



Menu: "Installer/Service/Coded settings".

16.11.6 Software update

The display software can be updated either via USB drive or online. The rows are greyed out until the USB drive is installed or the display is connected to the internet.

Click OK to confirm the upload.

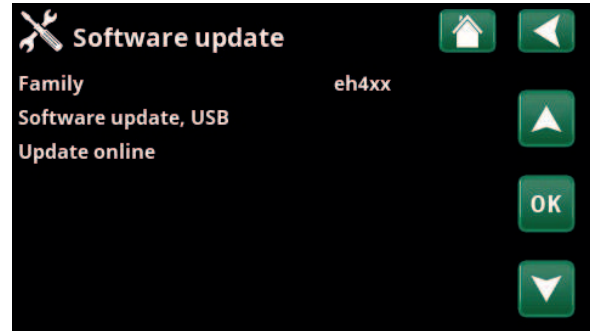
The settings are retained during updating, but the old values are overwritten by any new factory values.

16.11.7 Write log to USB

Intended for service engineers. This function can be used to save logged values to a USB memory stick.

16.11.8 Re-installation

This command relaunches the installation sequence. First, confirm that you want to reinstall to access the installation wizard, refer to the "Installation Guide" and "First Start" chapters.



Menu: "Installer/Service/ Software Update".

! NB: The power to the product must not be interrupted, under any circumstances, during the update process.

! NB: Turn off the power and always restart the product after software update. Several minutes may pass before the display communicates clearly after restart.

16.11.9 Calibration Sensor

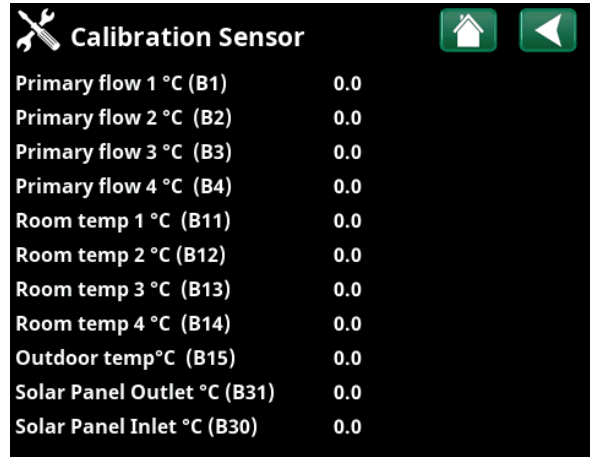
| | |
|--|-------------------------|
| Primary flow 1 °C (B1) | 0.0 (-3.0...3.0) |
| Correction of primary flow sensor (B1). | |
| Primary flow 2 °C (B2) | 0.0 (-3.0...3.0) |
| Correction of primary flow sensor (B2). | |
| Primary flow 3 °C (B3) | 0.0 (-3.0...3.0) |
| Correction of primary flow sensor (B3). | |
| Primary flow 4 °C (B4) | 0.0 (-3.0...3.0) |
| Correction of primary flow sensor (B4). | |
| Room temp 1 °C (B11) | 0.0 (-3.0...3.0) |
| Correction of room sensor (B11). | |
| Room temp 2 °C (B12) | 0.0 (-3.0...3.0) |
| Correction of room sensor (B12). | |
| Room temp 3 °C (B13) | 0.0 (-3.0...3.0) |
| Correction of room sensor (B13). | |
| Room temp 4 °C (B14) | 0.0 (-3.0...3.0) |
| Correction of room sensor (B14). | |
| Outdoor temp °C (B15) | 0.0 (-3.0...3.0) |
| Correction of outdoor sensor (B15). | |
| Solar panel Outlet °C (B31) | 0.0 (-3.0...3.0) |
| Correction of temperature sensor on solar panels for outgoing temperature. | |
| Solar panel Inlet °C (B30)* | 0.0 (-3.0...3.0) |
| Correction of temperature sensor on solar panels for incoming temperature. | |

16.11.10 Set address

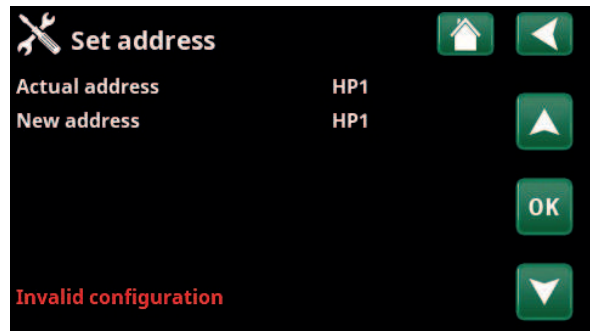
In this menu, heat pumps and expansion cards can be assigned addresses.

The error message "Invalid Configuration" is displayed if the same heat pump is specified in the "Current address" and "New address" rows, as shown in the menu view on the right.

| | |
|--|---------------------------------|
| Actual address | (HP1...HP10, EXP1, EXP2) |
| Specify the current address of the heat pump or expansion card. | |
| New address | (HP1...HP10, EXP1, EXP2) |
| Specify the address to be assigned to the heat pump or expansion card. | |



Menu: "Installer/Service/Calibration Sensor".



Menu: "Installer/Service/Set address".

17. Parameter list

| | Fact. set. |
|---------------------------------------|------------|
| Heating circuit | |
| Program Economy | - |
| Room temp change °C | -2.0 |
| Off delay, min | 30 |
| Program Comfort | - |
| Room temp change °C | 2.0 |
| Off delay, min | 30 |
| Max primary flow °C | 55 |
| Min primary flow °C | Off |
| Heating, mode | Auto |
| Heating off, out °C | 18 |
| Heating off, time (min) | 120 |
| Night reduction down to °C | 5 |
| Room temp. reduced, night red. °C | -2 |
| Room temp. reduced, holiday | -2 |
| Primary flow reduced, night red. °C | -3 |
| Primary flow reduced, holiday | -3 |
| Radiator pump speed | 100 |
| Alarm room temp °C | 5 |
| SmartGrid Low Price °C | Off |
| SmartGrid Overcapacity °C | Off |
| SmartGrid Blocking | Off |
| Drying period | Off |
| Drying period temp °C | 25 |
| Drying period mode | Off |
| Heat pumps | |
| Start at degree minute | -60 |
| Start at degree minute cooling* | 60 |
| Max primary flow HP diff °C | 10 |
| Max primary flow HP Add. heat diff °C | 14 |
| Diff between comp. | -60 |
| Diff between comp. cooling* | 60 |
| Delay between comp. | 30 |
| Prio A/W °C | 7 |
| Prio DHW A/W °C | 7 |
| SmartGrid Blocking HP | No |
| Defrost heating temp min m | 10 |
| Defrost heating temp max m | 10 |
| Defrost heating temp min °C | 10 |
| Defrost heating temp max °C | -10 |

| | Fact. set. |
|--------------------------------|------------|
| Heat pump 1- | |
| Compressor | Blocked |
| Stop at outdoor °C | -22 |
| Charge pump % | 50 |
| Cold temp limit | 0 |
| Max RPS | 90 |
| Warm temp limit | 20 |
| Max RPS warm temp | 50 |
| Ext. noise reduction RPS | 50 |
| Compressor stop at brine °C | -5 |
| Brine pump | Auto |
| Tariff HP | No |
| Passive cooling brine pump on | Yes |
| Additional heat | |
| Start E1, degree minute | -500 |
| Diff E1, degree minute | -100 |
| Start E2, degree minute | -500 |
| Diff E2, degree minute | -100 |
| Start EcoMiniEl, degree minute | -500 |
| Diff step EcoMiniEl | -50 |
| Delay add. heat E1 | 180 |
| Add. heat E2 | 7 |
| Delay add. heat E2 | 180 |
| Diff delay E2 | 60 |
| Add. heat EcoMiniEl | No |
| Delay EcoMiniEl | 180 |
| Delay EcoMiniEl step | 30 |
| Block add., outdoor °C | 5 |
| Boiler, open mixing valve °C | 70 |
| Boiler max °C | Off |
| Main fuse A | 20 |
| Conv. factor current sensor | 1 |
| Max el. heater kW | 9.0 |
| Tariff EL | No |
| Start at flue gas °C | Off |
| SmartGrid Blocking immersion | No |
| E1 Charge pump HP1 (G11) % | 100 |
| E2 Charge pump HP1 (G11) % | 70 |
| E3 Charge pump HP1 (G11) % | 70 |

*Displayed if "Active cooling" has been defined.

| | Fact. set. |
|-------------------------------------|--------------------------------|
| DHW tank | |
| Program DHW | Economy/ Normal/ Comfort |
| -Stop temp HP °C | 50/55/58 |
| -Extra DHW stop temp °C | 60 |
| Start/stop diff °C | 5 |
| Max time DHW (min) | 20 |
| Max time heating (min) | 40 |
| Delay heating calc. | 3 |
| Add. heat DHW | Auto |
| Add. heat DHW E1 | No |
| Add. heat DHW E2 | 3 |
| Add. heat DHW EcoMiniEI | 3 |
| Min temp °C | 45 |
| Add. heat EI. heater DHW kW E2 | 9.0 |
| Periodic extra DHW, days | 14 |
| Max temp diff end DHW °C | 3 |
| Start/stop diff HP2 °C | 3 |
| Stop DHW diff max °C | 3 |
| Run time DHW circ. | 4 |
| Time DHW circ (min) | 15 |
| Diff start ext DHW tank | 5 |
| SmartGrid Blocking °C | Off |
| SmartGrid Low Price °C | Off |
| SmartGrid Overcapacity °C | Off |
| SmartGrid Overcapacity Block. HP | No |
| Time Extra DHW Remote Control (min) | 0.0 |
| Buffer tank | |
| Tank max °C | 55 |
| Tank min °C | 30 |
| Diff tank vs. primary °C | 0 |
| Start/Stop diff tank °C | 5 |
| Setpoint schedule °C | 50 |
| Ext. buffer tank | Off |
| SmartGrid Low Price °C | Off |
| SmartGrid Overcapacity °C | Off |
| Solar panels | |
| dT max solar °C | 7 |
| dT min solar °C | 3 |
| Min speed pump % | 30 |
| Max boiler °C | 85 |
| Max DHW tank °C | 85 |
| Max buffer tank °C | 85 |
| Max temp brine °C | 18 |

| | Fact. set. |
|-------------------------------------|-------------------|
| dT max bedrock °C | 60 |
| dT min bedrock °C | 30 |
| Solar test tank min | 4 |
| Test frequency min | 30 |
| Winter mode | No |
| Flow l/mln | 6.0 |
| Protection collector | |
| Max temp °C | 120 |
| Emergency cooling | Yes |
| Re-cooling | No |
| Re-cooling to temp °C | 70 |
| Anti-freeze | No |
| Anti-freeze °C | -25 |
| Re-cooling stop delay (min) | 10 |
| Pool | |
| Pool | Blocked |
| Pool temp °C | 22 |
| Pool diff °C | 1.0 |
| Pool priority °C | Low |
| SmartGrid Low Price °C | 1 |
| SmartGrid Overcapacity °C | 2 |
| Block pool | No |
| Cooling | |
| Room temp cooling °C | 25.0 |
| Cooling permit. from outdoor T | Off |
| Active delay | 10 |
| Heating off delay | 10 |
| Start delay | 180 |
| Diff. delay calc. | Off |
| Start cooling at overtemp °C | 1.0 |
| Stop cooling at overtemp °C | 0.5 |
| Primary flow at outdoor +20 °C | 20 |
| Primary flow at outdoor +40 °C | 20 |
| Primary flow diff at outdoor +20 °C | 2 |
| Primary flow diff at outdoor +40 °C | 2 |
| SmartGrid Low Price °C | Off |
| SmartGrid Overcapacity °C | Off |
| Ext. block cooling | Off |
| Communication | |
| Ethernet | - |
| BMS | - |
| EI. prices | |
| Price control | No |

18. Operation and Maintenance

When the installer has installed your new heat pump, you should check along with the installer that the system is in perfect operating condition. Let the installer show you where the switches, controls and fuses are so that you know how the system works and how it should be maintained. Bleed the radiators after around three days of operation and top up with water if required.

The CTC EcoPart i600M works completely automatically. The control system turns on additional heat when needed, adapts to wood burning when this occurs, automatically switches to summer mode, etc.

Room Sensor

A room sensor, which should always be fitted (up to four room sensors can be connected), ensures that the temperature in the room is always suitable and stable. For the sensor to provide the correct signals to the control unit, radiator thermostats should always be fully open in the area where the room sensor is located. When adjusting the system, always do so with all radiator thermostats fully open. The thermostats can be individually adjusted after a few days in the various rooms. You can select operation without room sensors by selecting "No" in the "Installer/Define System/Define Heating Circuit/Room Sensors" menu. This can be done if it is difficult to find a location for the room sensor, if there are several flats, if the floor heating circuit has separate room sensors, or when using an fire place or open stove. The alarm LED on the room sensor still functions as normal. If you use the fire or open stove only occasionally, the firing process can affect the room sensor and reduce the temperature supplied to the radiators. It can then get cold in the rooms in other parts of the house. The room sensor can be temporarily deselected during the firing process. The CTC EcoPart i600M then provides heating to the radiators using the set heating curve, refer to the "House Heating Curve" chapter. The radiator thermostats reduce the heating supplied to the section of the house where a fire is burning.

"Summer Cellar Heat"

You will often want some background heating in basements/recreation rooms/bathrooms in the summer months, to avoid raw, damp air. CTC EcoPart i600M takes care of this by setting the minimum permitted primary flow temperature to a suitable temperature (15-65 °C). Refer to the "Installer/Settings/Heating Circuit/Min Primary Flow °C" menu. This means that the temperature supplied to the radiators will not fall below a selected temperature, for example +35 °C. For this to work, the rest of the house must have functional radiator thermostats or shut-off valves. These shut off the heating in the rest of the house. The function can also be used for floor heating in the bathroom to ensure warm floors during the summer.

Night reduction

With night reduction you have the option of automatically varying the temperature in the house throughout the day, every day of the week. More information can be found in the chapter "Detailed menu descriptions/Night reduction".

19. Troubleshooting/ Appropriate measures

The CTC EcoPart i600M is designed to provide reliable operation and high levels of comfort, as well as a long service life. Various tips are given below which may be helpful and guide you in the event of an operational malfunction. If a fault occurs, you should always contact the installer who installed your unit. If the installer believes the malfunction is due to a materials or design fault, then they will contact us to check and rectify the issue. Always provide the product's serial number.

DHW

Many people want to gain maximum benefit from the heat pump's low operating costs. The control system is equipped with three comfort levels for DHW. We recommend starting at the lowest level and if there is not enough hot water, increase it to the next level. We also recommend that you operate a regular DHW pattern.

The heating circuit

A room sensor, which should be fitted when possible, ensures that the temperature in the room is always suitable and stable. For the sensor to provide the correct signals to the control unit, radiator thermostats should always be fully open in the area where the room sensor is located. A correctly operating heating circuit is of significant importance to the heat pump's operation and affects energy savings. When adjusting the system, always do so with all radiator thermostats fully open. The thermostats can be individually adjusted after a few days in the other rooms.

If you do not achieve the set room temperature, check:

- That the heating circuit is correctly adjusted and is functioning normally. That radiator thermostats are open and the radiators are equally warm all over. Touch the entire radiator surface. Bleed the radiators. In order for the heat pump to run economically, the heating circuit must function well in order to provide good savings.
- That the heat pump is operating and no error messages are displayed.
- That there is sufficient electrical power available. Increase this if necessary. Also check that the electric power output is not limited due to excessively high electricity loads in the house.
- that the product is not set to the "Max allowed primary flow temperature" mode with a too low set value.
- That "Primary flow temperature at -15°C outdoor temperature" is set sufficiently high. Increase if necessary. More can be read about this in the chapter on the "House heating curve". However, always check the other points first.
- That the temperature reduction is set correctly. See Settings/Heating circuit.
- that the mixing valve is not in the manual position.

If the heat is not even, check:

- That the placement of the room sensors is appropriate for the house.
- That the radiator thermostats don't interfere with the room sensor.
- That no other heat sources/cold sources interfere with the room sensor.
- that the mixing valve is not in the manual position.

● Avoid placing the room sensor close to the stairway due to the uneven air circulation.

● If you do not have radiator thermostats on the upper floor, you may need to install them.

Ground loop

Faults can occur in the cooling unit if the ground loop has not been installed correctly, if it has not been bled sufficiently, if it contains too little antifreeze or is not designed to an adequate size. Poor or insufficient circulation can result in the heat pump triggering an alarm in the case of low evaporation. If the temperature difference between the ingoing and outgoing temperature is too large, the product triggers an alarm and "Low brine flow" is displayed. The probable cause is that there is still air in the brine circuit. Bleed thoroughly, which may in some cases take up to a day. Also check the ground loop. See also the section entitled "Connecting the brine system".

Check:

- that the brine pump speed value is not set too low. Try to increase this if a problem arises.

Reset the "Low evaporation" alarm on the display. Where a malfunction repeatedly occurs, call in a technician to investigate and rectify the fault.

If the text "Low brine temp" is displayed, the ground loop may not be large enough or there may be a fault with the sensor. Check the brine circuit temperature in the "Current operation data" menu. If the incoming temperature falls below -5 °C during operation, call in a technician to inspect the brine circuit.

Motor protection

The CTC EcoPart i600M constantly monitors the compressor's operating current and an alarm is triggered if the compressor is using an unusually high current. When a fault occurs, the message "Motor protect high current" is displayed.

The cause of the fault may be as follows:

- Phase failure or mains interruption. Check the fuses, which are the most common cause.
- Compressor overload. Call out a service engineer.
- Faulty compressor. Call out a service engineer.
- Circulation too poor between the cooling circuit and cylinder. Check the heat medium pump (charge pump).
- Abnormally high temperature in the brine circuit. Call out a service engineer.

19.1 Information messages

Information messages are displayed when appropriate and are intended to inform users about various operational situations.



[I013] Start delay

The compressor is not allowed to start too quickly when it has stopped. The delay is usually at least 10 minutes.

[I002] HC1 Heating off

[I005] HC2 Heating off

[I006] HC3 Heating off

[I007] HC4 Heating off

Shows for each heating circuit that the product is operating in summer mode when only DHW is required, not heating.

[I011] Ripple control

Indicates that ripple control is active. Ripple control is a device which an electricity supplier can fit with the aim of disconnecting high current draw equipment for a short period of time. The compressor and electrical output are blocked when ripple control is active.

[I008] Tariff HP off

Indicates that Tariff has switched off the heat pump.

[I010] Tariff EL Off

Shows that tariff has switched off the immersion heater elements.

[I009] Compressor blocked

The compressor is set to be shut down, e.g. before drilling or digging has been carried out for the collector coils. The product comes with the compressor switched off. This option is selected in the "Installer/Settings/Heat Pump" menu.

[I021] HC1 Heating mode, ext.

[I022] HC2 Heating mode, ext.

[I023] HC3 Heating mode, ext.

[I024] HC4 Heating mode, ext.

The remote control affects whether the heating is to be on or off. If the heating is switched off, "Heating off, heating circuit 1/2/3" is also displayed.

[I017] SmartGrid: Blocking

[I019] SmartGrid: Low price

[I018] SmartGrid: Overcapacity

Product functionality is governed by "SmartGrid". See also "Define system/Remote control/SmartGrid".

[I030] Driver block undervoltage

The heat pump has stopped due to insufficient mains voltage. The product will attempt to restart.

[I031] Driver block alarm

The heat pump has stopped due to driver failure; for example, voltage or excessive temperature. The product will attempt to restart.

19.2 Alarm messages



If a fault occurs with e.g. a sensor, an alarm is triggered. A message appears on the display with information about the fault. In the event of an alarm, the LEDs on the display and room sensor also flash.

You reset the alarm by pressing the “Reset alarm” button on the display. If several alarms are triggered, they are displayed one after the other. A persisting fault must first be rectified before it can be reset. Some alarms are reset automatically if the fault ceases.

| Alarm messages | Description | | | | | | | | | | | | | | | | | | | | | | | | | | | | |
|--|--|-------------------------|-----------------------------------|--------------------------------|-----------------------------------|-----------------------------|-----------------------------------|--------------------------|------------------------------------|---|----------------------------|--|----------------------------|------------------------------------|-----------------------------|---------------------------|-----------------------------|-----------------------------|--|------------------------|-----------------------------|-------------------------|-------------------------|--------------------|----------------------------|----------------------|---------------------------|--|---------------------------|
| [E055] Wrong phase order | The product’s compressor motor must rotate in the right direction. The product checks that the phases are connected correctly; otherwise, an alarm is triggered. This will require changing two of the phases into the product. The power supply to the system must be shut off when rectifying this fault. This fault generally only occurs during installation. | | | | | | | | | | | | | | | | | | | | | | | | | | | | |
| [Exxx] sensor | An alarm is displayed if a fault occurs with a sensor that is not connected or has short-circuited. If this sensor is significant to the system’s operation, the compressor stops. This requires the alarm to be reset manually after the fault has been rectified. <table border="0" style="width: 100%; margin-top: 10px;"> <tr> <td>[E002] Sensor B9 Boiler</td> <td>[E031] Primary flow sensor 1 (B1)</td> </tr> <tr> <td>[E007] Sensor buffer tank (B6)</td> <td>[E032] Primary flow sensor 2 (B2)</td> </tr> <tr> <td>[E012] Sensor DHW tank (B5)</td> <td>[E033] Primary flow sensor 3 (B3)</td> </tr> <tr> <td>[E015] Sensor B10 Boiler</td> <td>[E034] Primary flow sensor 4* (B4)</td> </tr> <tr> <td>[E016] Sensor in to solar panels* (B30)</td> <td>[E074] Room sensor 1 (B11)</td> </tr> <tr> <td>[E017] Sensor out to solar panels* (B31)</td> <td>[E075] Room sensor 2 (B12)</td> </tr> <tr> <td>[E018] Sensor ext. DHW tank* (B43)</td> <td>[E076] Room sensor 3* (B13)</td> </tr> <tr> <td>[E019] Sensor pool* (B50)</td> <td>[E077] Room sensor 4* (B14)</td> </tr> <tr> <td>[E030] Outdoor sensor (B15)</td> <td></td> </tr> </table> <p>and for heat pumps HP1-HP10:</p> <table border="0" style="width: 100%; margin-top: 10px;"> <tr> <td>[E003] Sensor brine in</td> <td>[E036] Sensor high pressure</td> </tr> <tr> <td>[E005] Sensor brine out</td> <td>[E037] Sensor discharge</td> </tr> <tr> <td>[E028] Sensor HPin</td> <td>[E043] Sensor low pressure</td> </tr> <tr> <td>[E029] Sensor HP out</td> <td>[E080] Sensor suction gas</td> </tr> <tr> <td></td> <td>[E160] Sensor suction gas</td> </tr> </table> | [E002] Sensor B9 Boiler | [E031] Primary flow sensor 1 (B1) | [E007] Sensor buffer tank (B6) | [E032] Primary flow sensor 2 (B2) | [E012] Sensor DHW tank (B5) | [E033] Primary flow sensor 3 (B3) | [E015] Sensor B10 Boiler | [E034] Primary flow sensor 4* (B4) | [E016] Sensor in to solar panels* (B30) | [E074] Room sensor 1 (B11) | [E017] Sensor out to solar panels* (B31) | [E075] Room sensor 2 (B12) | [E018] Sensor ext. DHW tank* (B43) | [E076] Room sensor 3* (B13) | [E019] Sensor pool* (B50) | [E077] Room sensor 4* (B14) | [E030] Outdoor sensor (B15) | | [E003] Sensor brine in | [E036] Sensor high pressure | [E005] Sensor brine out | [E037] Sensor discharge | [E028] Sensor HPin | [E043] Sensor low pressure | [E029] Sensor HP out | [E080] Sensor suction gas | | [E160] Sensor suction gas |
| [E002] Sensor B9 Boiler | [E031] Primary flow sensor 1 (B1) | | | | | | | | | | | | | | | | | | | | | | | | | | | | |
| [E007] Sensor buffer tank (B6) | [E032] Primary flow sensor 2 (B2) | | | | | | | | | | | | | | | | | | | | | | | | | | | | |
| [E012] Sensor DHW tank (B5) | [E033] Primary flow sensor 3 (B3) | | | | | | | | | | | | | | | | | | | | | | | | | | | | |
| [E015] Sensor B10 Boiler | [E034] Primary flow sensor 4* (B4) | | | | | | | | | | | | | | | | | | | | | | | | | | | | |
| [E016] Sensor in to solar panels* (B30) | [E074] Room sensor 1 (B11) | | | | | | | | | | | | | | | | | | | | | | | | | | | | |
| [E017] Sensor out to solar panels* (B31) | [E075] Room sensor 2 (B12) | | | | | | | | | | | | | | | | | | | | | | | | | | | | |
| [E018] Sensor ext. DHW tank* (B43) | [E076] Room sensor 3* (B13) | | | | | | | | | | | | | | | | | | | | | | | | | | | | |
| [E019] Sensor pool* (B50) | [E077] Room sensor 4* (B14) | | | | | | | | | | | | | | | | | | | | | | | | | | | | |
| [E030] Outdoor sensor (B15) | | | | | | | | | | | | | | | | | | | | | | | | | | | | | |
| [E003] Sensor brine in | [E036] Sensor high pressure | | | | | | | | | | | | | | | | | | | | | | | | | | | | |
| [E005] Sensor brine out | [E037] Sensor discharge | | | | | | | | | | | | | | | | | | | | | | | | | | | | |
| [E028] Sensor HPin | [E043] Sensor low pressure | | | | | | | | | | | | | | | | | | | | | | | | | | | | |
| [E029] Sensor HP out | [E080] Sensor suction gas | | | | | | | | | | | | | | | | | | | | | | | | | | | | |
| | [E160] Sensor suction gas | | | | | | | | | | | | | | | | | | | | | | | | | | | | |
| [E057] Motor protect high curr. | High current into the compressor has been detected. Press reset and check whether the alarm recurs. If the fault recurs, contact your installer. | | | | | | | | | | | | | | | | | | | | | | | | | | | | |
| [E058] Motor protect low curr. | Low current into the compressor has been detected. Press reset and check whether the alarm recurs. If the fault recurs, contact your installer. | | | | | | | | | | | | | | | | | | | | | | | | | | | | |
| [E035] High pressure switch | The refrigerant’s high pressure switch has been triggered. Press reset and check whether the alarm recurs. If the fault recurs, contact your installer. | | | | | | | | | | | | | | | | | | | | | | | | | | | | |
| [E041] Low brine temp | Incoming brine temperatures from bore hole/ground loop are too low. Press reset and check whether the alarm recurs. If the fault recurs, contact your installer to check the dimensions of the cold side. | | | | | | | | | | | | | | | | | | | | | | | | | | | | |

**Applies if the CTC Expansion accessory has been installed.*

| Alarm messages | Description |
|--|---|
| [E040] Low brine flow | Low brine flow is often caused by air in the collector system, especially immediately following installation. Collectors which are too long can also be a cause. Check also that the brine pump is set to speed 3. Press reset and check whether the alarm recurs. Also check the brine filter that has been installed. If the fault recurs, contact your installer. |
| [E063] Comm. error relay card | This message is displayed when the display card (A1) cannot communicate with the relay card. (A2) |
| [E027] Communication error HP | This message is displayed when the display card (A1) cannot communicate with the HP control card (A5). |
| [E056] Comm. error motor protection | This message is displayed when the HP control card (A5) cannot communicate with the motor protection. (A4) |
| [E044] Stop, high compr temp | This message appears when the compressor temperature is high. Press reset and check whether the alarm recurs. If the fault recurs, contact your installer. |
| [E045] Stop, low evaporation | This message appears when the evaporation temperature is low. Press reset and check whether the alarm recurs. If the fault recurs, contact your installer. |
| [E046] Stop, high evaporation | This message appears when the evaporation temperature is high. Press reset and check whether the alarm recurs. If the fault recurs, contact your installer. |
| [E047] Stop, low suct. gas exp. valve | This message appears when the suction gas temperature is low. Press reset and check whether the alarm recurs. If the fault recurs, contact your installer. |
| [E048] Stop, low evapor. | This message appears when the expansion valve's evaporation temperature is low. Press reset and check whether the alarm recurs. If the fault recurs, contact your installer. |
| [E049] Stop, high evap. exp. valve | This message appears when the expansion valve's evaporation temperature is high. Press reset and check whether the alarm recurs. If the fault recurs, contact your installer. |
| [E050] Stop, low overheat exp. valve | This message appears when the expansion valve's superheat temperature is low. Press reset and check whether the alarm recurs. If the fault recurs, contact your installer. |
| [E013] EVO off | This message appears when there is a fault with the expansion valve control. |
| [E052] Phase 1 missing [E053] Phase 2 missing [E054] Phase 3 missing | This message appears in the event of a phase failure. |
| [E010] Compressor type? | This message appears if no information about the compressor type is available. |
| [E026] Heat pump | This message appears if the heat pump is in alarm mode. |
| [E001] Risk of freezing | Alarm indicating that the temperature of the outgoing water from the heat pump (HP out) is too low for defrosting. The water volume in the system may be too low. The flow may be too low. (Applies to EcoAir) |
| [E163] Defrost max time duration | The heat pump has not had time to complete defrosting within the maximum time. Make sure that any ice on the evaporator has disappeared. |
| [E087] Driver | Press reset and check whether the alarm recurs. |
| [E088] Driver: 1 - [E109] Driver: 29 Driver fault. | If the fault recurs, contact your installer and tell them the error code number where applicable. |
| [E117] Driver: Offline | Communication error. The junction box and driver of the heat pump are not communicating. |

19.3 Critical alarms - Risk of freezing



- [E135] Risk of freezing (after four alarms, a new alarm is displayed [E218])
- [E211] Risk of freezing low flow (after four alarms, a new alarm is displayed [E219])
- [E216] HP flow temp diff (after four alarms, a new alarm is displayed [E220])
- [E217] HP Charge pump flow (after four alarms, a new alarm is displayed [E221])

If a critical alarm is shown on the display, take the action described below. Confirm the alarm by entering code 4005 in the display menu "Installer/Service/Coded settings/Code".

Please note: The critical alarms can be acknowledged three times by entering code 4005. **After four alarms, the heat pump is blocked**; in this case, contact the installer. After one year of operation without any alarms, the critical alarms are reset.

! The critical alarms [E135], [E211], [E216] and [E217] can be acknowledged three times by entering code 4005. After four alarms, the heat pump is blocked.

[E135] Risk of freezing

Applies to all air/water heat pumps controlled by CTC EcoLogic L/M/S, CTC EcoZenith i255/i360/i555 and CTC EcoVent i360F.

Alarm conditions

If the temperature of the water exiting the heat pump (HP out) is lower than 15 °C during a defrost period or if there is more than 15 °C difference between HP in and HP out for more than 20 seconds.

Possible cause

- The circuit temperature and/or flow rate is too low.
- If the sensors (HP in and HP out) do not display the correct value, alarm [E135] can be generated. Check the temperatures using an external thermometer.

Action

- Ensure that the return flow of the heating circuit is at a minimum of 25°C during a defrost period. In the event of low temperature, contact the installer.
- Supplement with a volume tank.
- Check the circulation pump, dirt filter, pipe system and pipe size to ensure flow requirements are met.
- Check the sensors (HP in and HP out) and replace as required.

[E211] Risk of freezing low flow

Applies to CTC EcoAir 600 with the "Flow sensor" accessory installed.

Alarm conditions

The flow is less than 10 l/min (EcoAir 610/614) or 15 l/min (EcoAir 622) for more than 30 seconds during a defrost period.

Possible cause

- The circuit temperature and/or flow rate is too low.

Action

- Check the circulation pump, dirt filter, pipe system, pipe size and flow sensor to ensure flow requirements are met.

[E216] HP flow temp diff

Applies to CTC EcoAir 500/600.

Alarm conditions

The difference between HP in and HP out exceeds 12 °C in heat operation for more than 15 minutes.

Possible cause

- The circuit temperature and/or flow rate is too low.

Action

- Check the dirt filter, pipe system and speed settings of the circulation pump to ensure flow requirements are met.
- Check the sensors (HP in and HP out) and replace as required.

[E217] HP Charge pump flow

Applies to CTC EcoAir 400.

Alarm conditions

The charge pump speed exceeds 70% during heat operation for more than 15 minutes.

Possible cause

- The circuit temperature and/or flow rate is too low.

Action

- Check the dirt filter, pipe system and speed settings of the circulation pump to ensure flow requirements are met.

20. Pipe installation

The installation must be carried out in accordance with the applicable standards. Apply all the installation settings based on the description in the chapter on "First start".

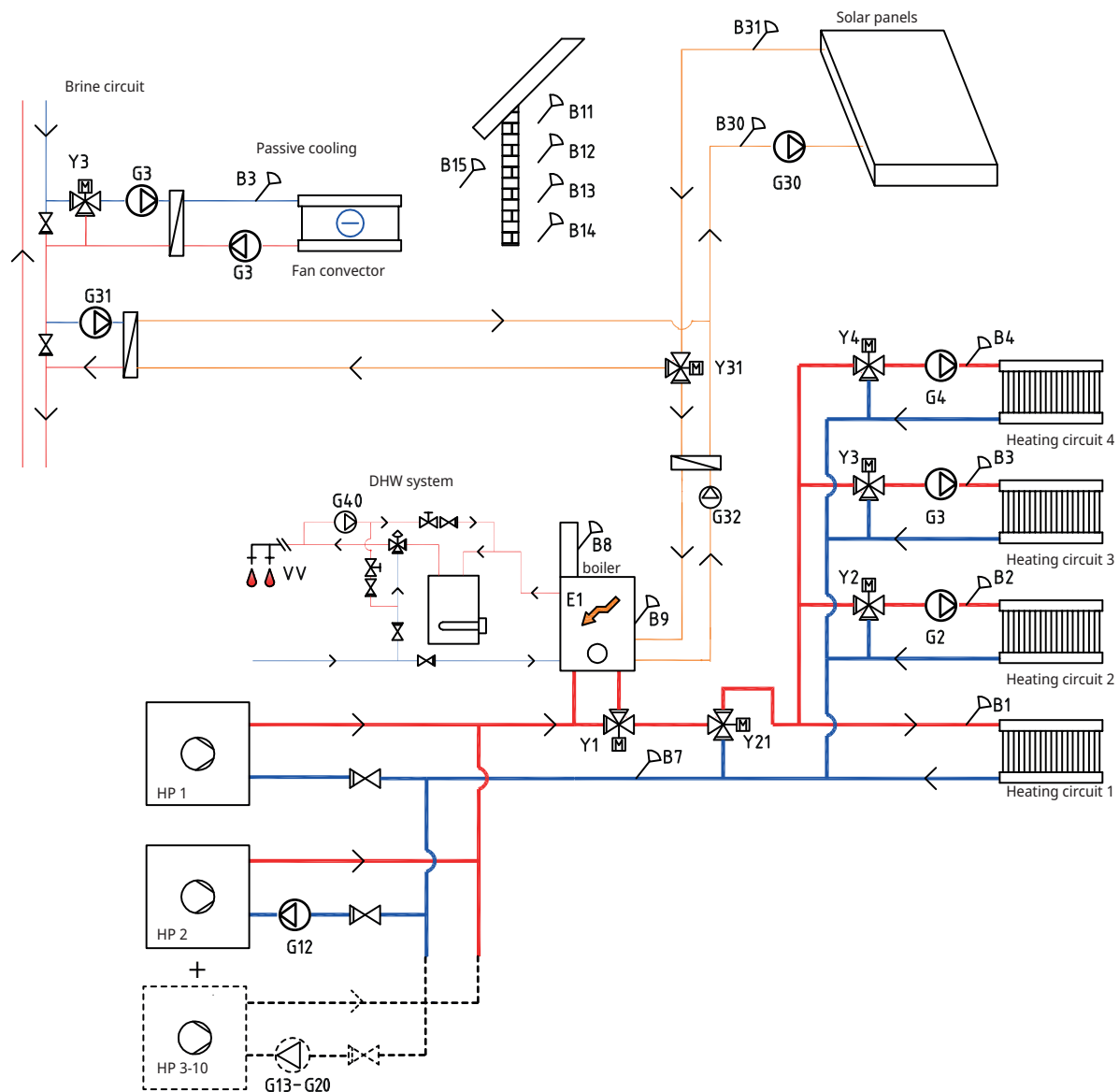
This chapter shows the fundamental connections of the heat pump(s) and additional heat to the property's heating and DHW system for the six different system solutions. All systems include solar energy; systems 4, 5 and 6 also include heating of the pool. Refer also to the "Electrical installation" chapter.

20.1 System Type 1*

System 1 is designed for connecting the heating circuit to an existing boiler using a mixing valve. The control system starts the boiler only as required, as the mixing valve mixes in the additional heat. The DHW is preheated in the boiler and then heated up in a separate DHW heater.

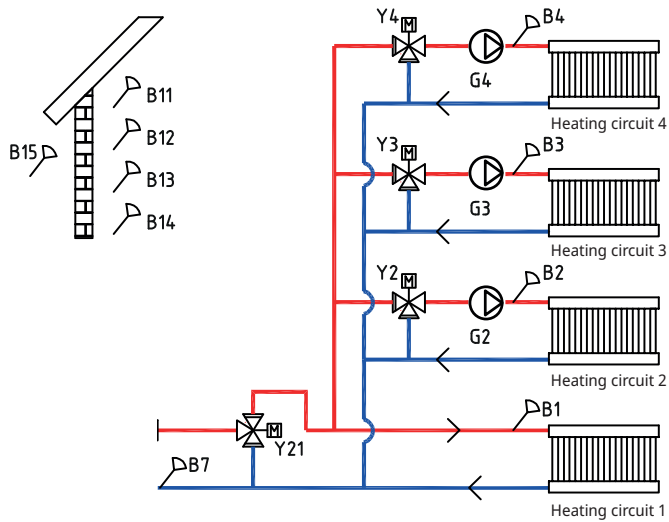
A flue gas sensor may be fitted to the boiler. Solar energy can be connected to the boiler using a 3-way valve, or diverted to recharge the bedrock/ground. Cooling can easily be connected to the bedrock/ground source heating circuit.

- * System 1:
 CTC EcoPart i600M
 without the CTC Expansion
 accessory does not
 include the following
 subsystems and their
 associated pumps, valves
 and sensors:
- Heat pumps 3 to 10
 - Heating circuits 3 and 4
 - Cooling
 - Recharging bedrock
 - Solar energy
 - DHW circulation (DHW CIRC)



16260598-1

20.1.1 System Type 1 - Heating circuit



CTC EcoPart i600M can be connected to four different heating circuits, each with separate room sensors. The 3-way valve (Y21) is the main valve, and mixing valves (Y2, Y3 and Y4) are subsidiary valves.

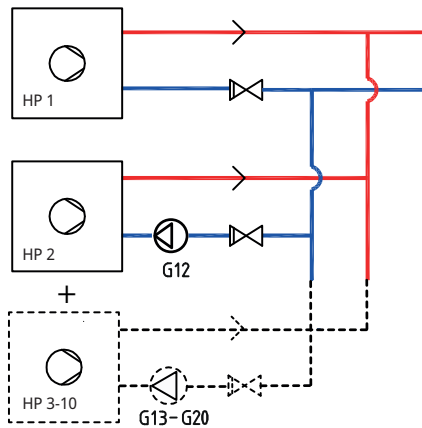
The outdoor sensor (B15) must be fitted to the outer wall of the house, protected from direct sunlight. It is connected using a 2-core cable (min 0.5 mm²).

The room sensors (B11 to B14) must be fitted in an open space in the property where a representative temperature is expected. They are connected using a 3-core cable (min 0.5 mm²).

The primary flow sensors (B1 to B4) must be placed on the primary flow of the respective heating circuit.

Return sensor (B7) is placed on the return flow from the heating circuit.

20.1.2 System Type 1 - Heat pumps



Up to 10 heat pumps (HP1 to HP10) can be fitted together with their respective charge pumps (G11 to G20). Charge pump G11 is factory fitted in HP1 (CTC EcoPart i600M)

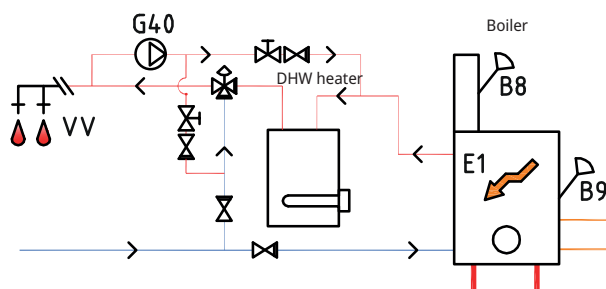
Charge pump 2 (G12) is controlled from the CTC EcoPart i600M. To control the G13 and G14 charge pumps from the CTC EcoPart i600M, the CTC Expansion accessory is required.

The heat pumps are powered separately, not through CTC EcoPart i600M.

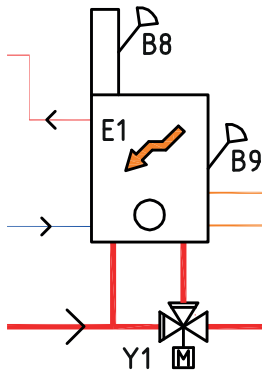
For more information, refer to the Installation and Maintenance instructions of the respective heat pump.

20.1.3 System Type 1 - DHW

The DHW is preheated in the boiler by the heat pump and then heated up in a separate DHW heater (DHW heater). DHW circulation is obtained from the pump (G40). Fresh DHW from the DHW heater is mixed in by the mixing valve and chilled water released down into the tank before once more being heated up. The non-return valves are necessary to ensure that circulation proceeds as intended. Control valves allow the desired flow of the circuit to be adjusted.



20.1.4 System Type 1 - Additional heat (Wood boiler)



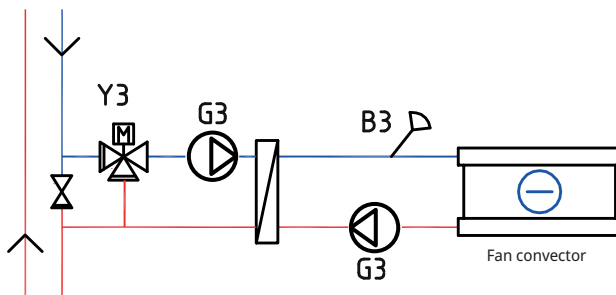
The existing boiler is connected to the heating circuit via a mixing valve (Y1).

When wood burning is taking place, the sensor (B8) measures the flue gas temperature and signals to the control system that wood is being lit.

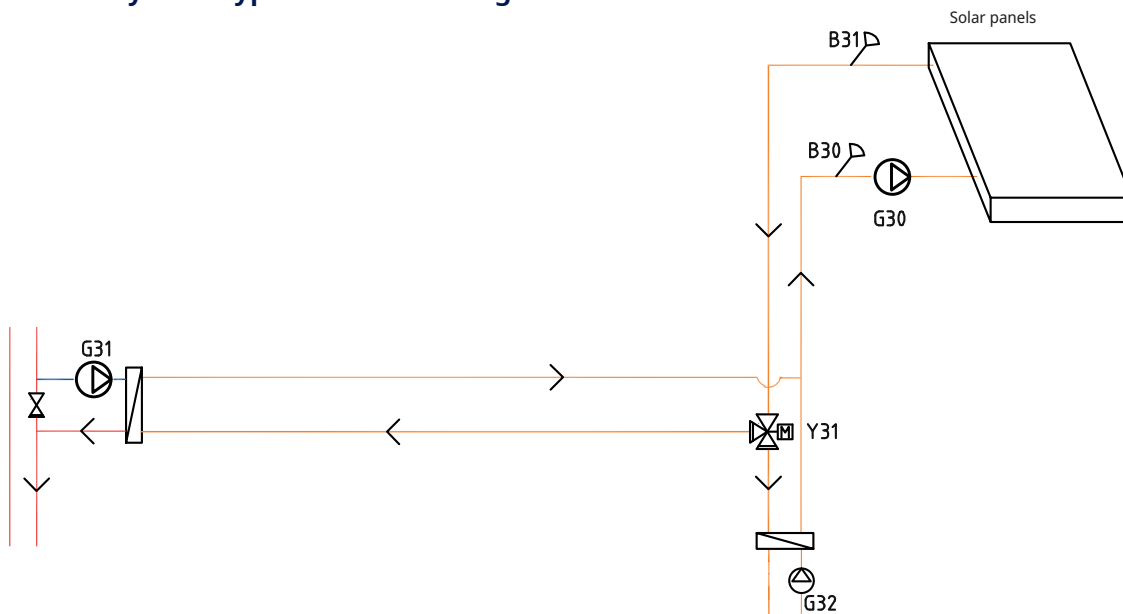
The sensor (B9) should be fitted so that the boiler temperature is measured.

20.1.5 System Type 1 - Passive cooling

If the Cooling function is defined, mixing valve Y3, charge pump G3 and sensor B3 should be used for the cooling installation (not heating circuit 3). For details on how to connect, see the Installation and Maintenance Manual for the cooling installation.



20.1.6 System Type 1 - Solar heating



Solar panels can be connected to the boiler using a 3-way valve (Y31), or to a ground heating coil in order to recharge the bedrock/ground.

The speed-controlled pump (G30) and sensors B30 and B31 are fitted next to the solar panels.

For recharging the bedrock/ground, a 3-way valve (Y31), heat exchanger, charge pump (G31) and non-return valve are connected.

The charge pump for recharging the borehole (G31) ensures there is sufficient flow through the heat exchanger.

The speed-controlled pump (G32) and a heat exchanger are fitted for charging the DHW.

20.2 System Types 2 and 3*

The configuration of System Types 2 and 3 differ in terms of the location of the additional heat source.

System Type 2

In System Type 2, the additional heat is located before the DHW system, while in System Type 3 it is located after the DHW system.

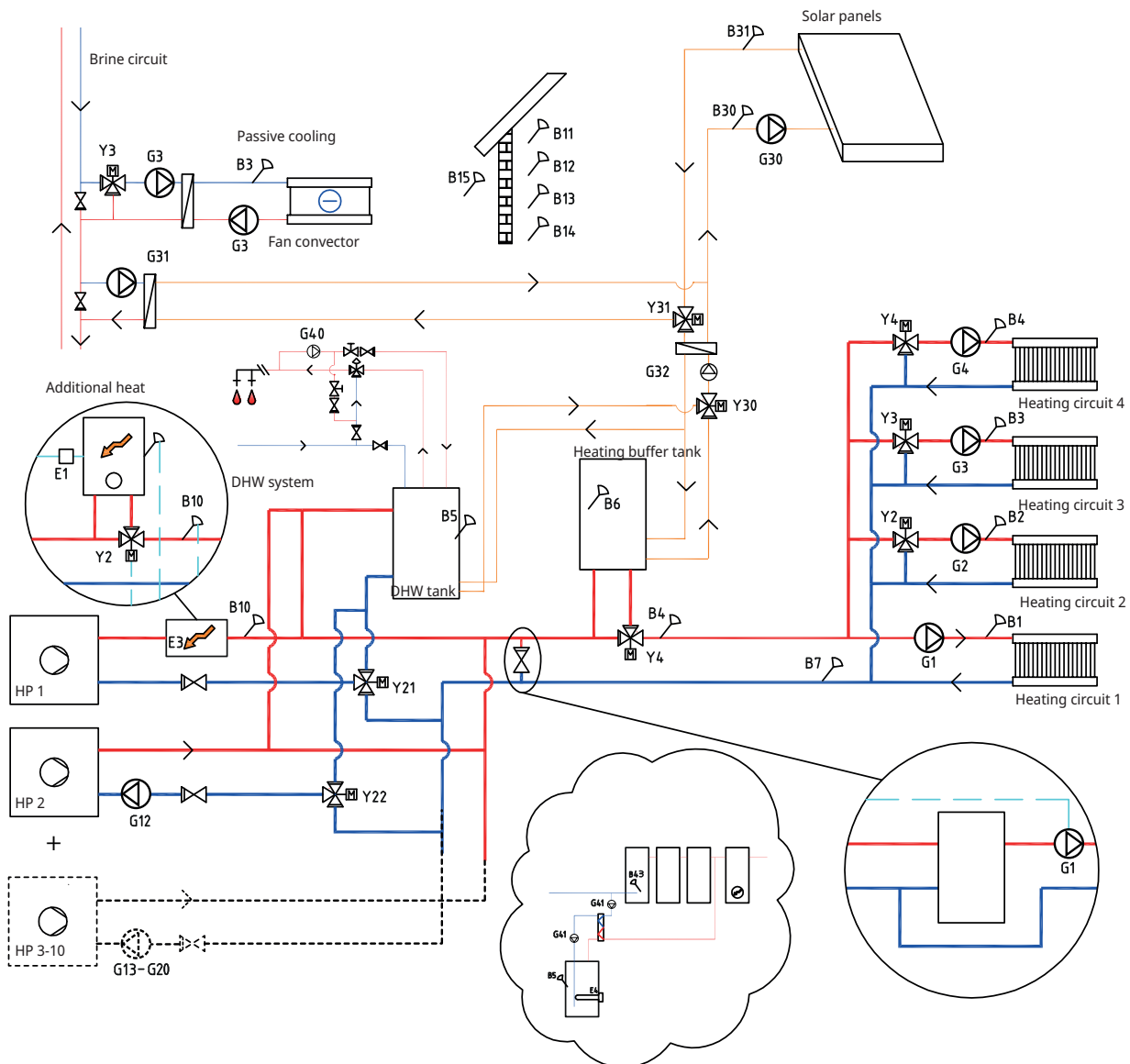
Heat pumps HP1 and HP2 can be connected using 3-way valves that direct the flow either to the DHW system or the heating circuit. If more heat pumps are installed, these should be connected to the heating circuit.

When connecting the buffer tank, the mixing valve (Y4) is used to connect the tank to the system (not to heating circuit 4).

Solar energy can be connected either to the DHW tank or to the buffer tank using 3-way valves. The solar energy can also be used to recharge the bedrock/ground.

Cooling can easily be connected to the bedrock/ground source heating circuit.

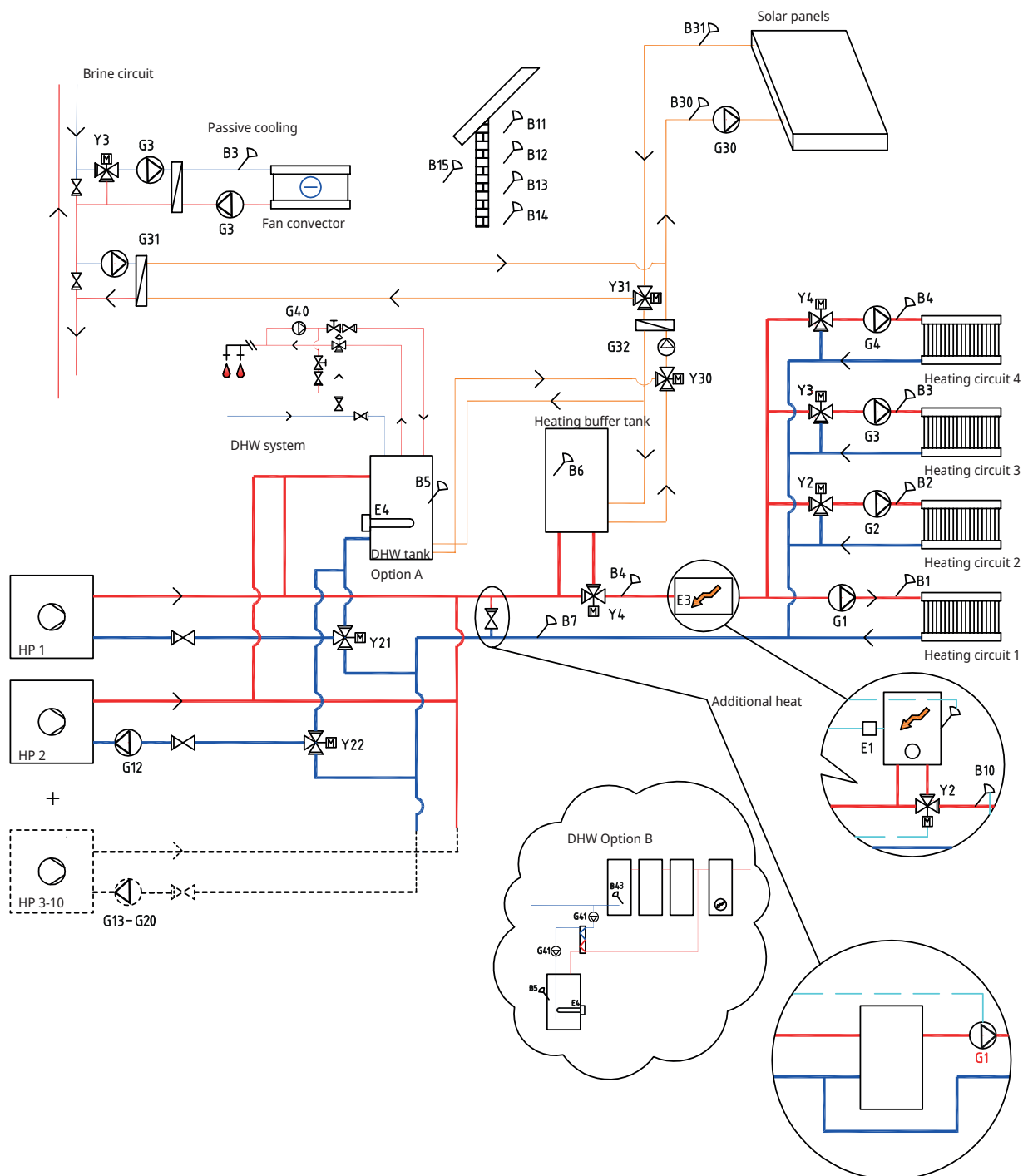
- * System 2/3:
CTC EcoPart i600M without the CTC Expansion accessory does not include the following subsystems and their associated pumps, valves and sensors:
- Heat pumps 3 to 10
 - Heating circuits 3 and 4
 - Cooling
 - Recharging bedrock
 - Solar energy
 - DHW circulation (DHW CIRC)
 - External DHW tank
 - Buffer tank



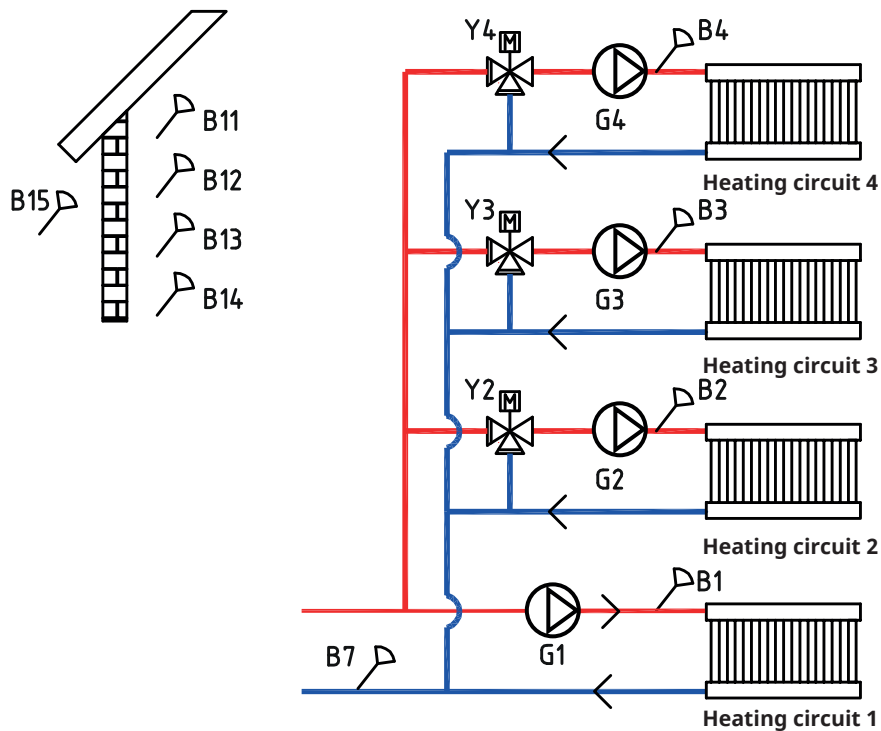
System Type 3

In System Type 3, the additional heat is located after the DHW system, while in System Type 2 it is located before the DHW system. In system 3 an electric heater is installed in the DHW tank instead.

When connecting the buffer tank, the mixing valve (Y4) is used to connect the tank to the system (not to heating circuit 4). Heat pumps 1 and 2 can be connected using 3-way valves that direct the flow either to the DHW system or the heating circuit. The other heat pumps are connected to the heating circuit. Solar heating can be connected either to the DHW tank or to a buffer tank using 3-way valves, or to a ground heating coil. Cooling can easily be connected to the bedrock/ground source heating circuit.



20.2.1 System Types 2 and 3 - Heating circuit



CTC EcoPart i600M can be connected to four different heating circuits*, each with separate room sensors. Heating circuits 2, 3 and 4 are connected via mixing valves (Y2, Y3 and Y4). If additional heat (E1) is defined, the mixing valve (Y2) should be used to connect additional heat to the system (not to heating circuit 2).

The outdoor sensor (B15) must be fitted to the outer wall of the house, protected from direct sunlight. It is connected using a 2-core cable (min 0.5 mm²).

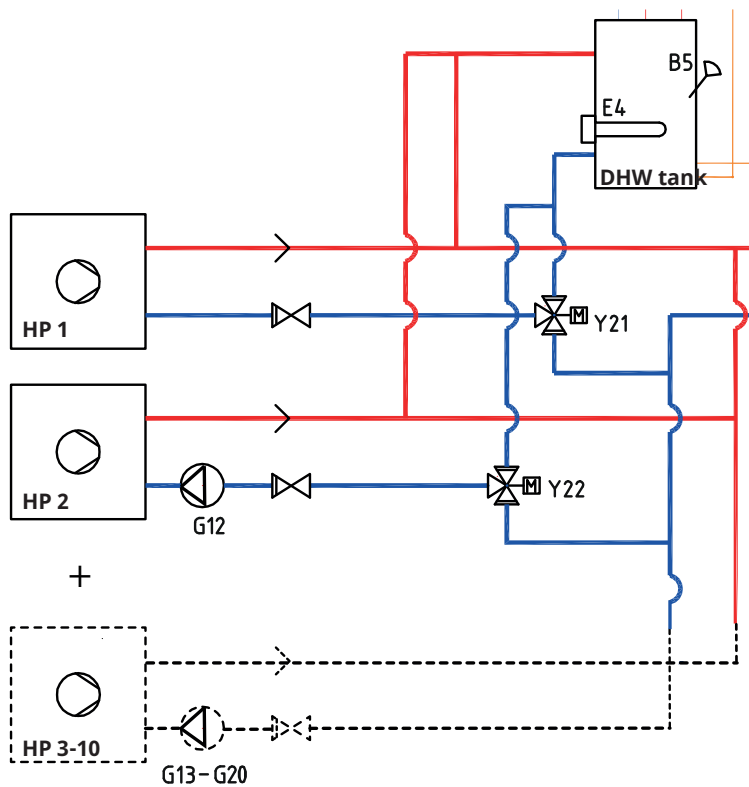
The room sensors (B11 to B14) must be fitted in an open space in the property where a representative temperature is expected. They are connected using a 3-core cable (min 0.5 mm²).

The primary flow sensors (B1 to B4) must be placed on the primary flow of the respective heating circuit.

Return sensor (B7) is placed on the return flow from the heating circuit.

**Applies if the CTC Expansion accessory has been installed.*

20.2.2 System Types 2 and 3 - Heat pumps



Up to 10 heat pumps (HP1 to HP10) can be fitted together with their respective charge pumps (G11 to G20). Charge pump G11 is factory fitted in HP1 (CTC EcoPart i600M)

Charge pump 2 (G12) is controlled from the CTC EcoPart i600M. To control the G13 and G14 charge pumps from the CTC EcoPart i600M, the CTC Expansion accessory is required.

Heat pumps 1 and 2 can be connected using 3-way valves that direct the flow either to the DHW system or the heating circuit. If more heat pumps are installed, these should be connected to the heating circuit.

The heat pumps are powered separately, not through CTC EcoPart i600M.

Refer to the heat pump's "Installation and Maintenance Manual" for more information.

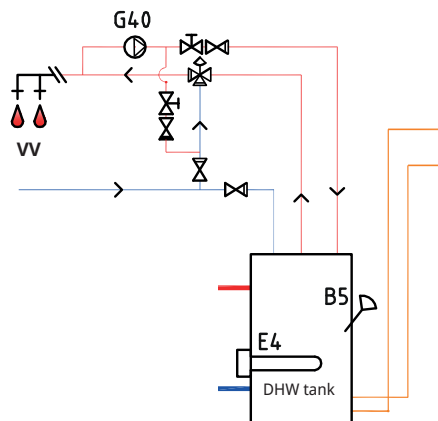
20.2.3 System Types 2 and 3 - DHW

In System Type 3, the DHW tank can be equipped with an electric heater (E4) if additional heat (E1 or E3) is installed after the DHW tank. Sensor B5 should be installed in the DHW tank.

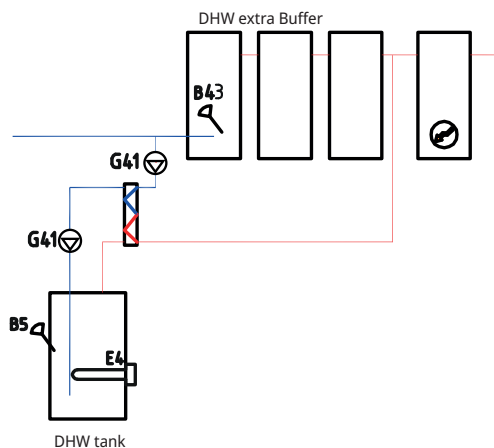
DHW circulation is obtained from the pump (G40). Fresh DHW from the DHW tank is mixed in by the mixing valve and chilled water released down into the tank before once more being heated up. The non-return valves are necessary to ensure that circulation proceeds as intended. Control valves allow the desired flow of the circuit to be adjusted.

Option B illustrates the possibility of installing one or more DHW tanks which

Option A



Option B



are then connected via a heat exchanger to the lower DHW tank shown in the figure. This solution requires the installation of an external DHW tank sensor (B43) in the external buffer tank, as well as circulation pumps (G41) before and after the heat exchanger.

20.2.4 System Types 2 and 3 - Additional heat

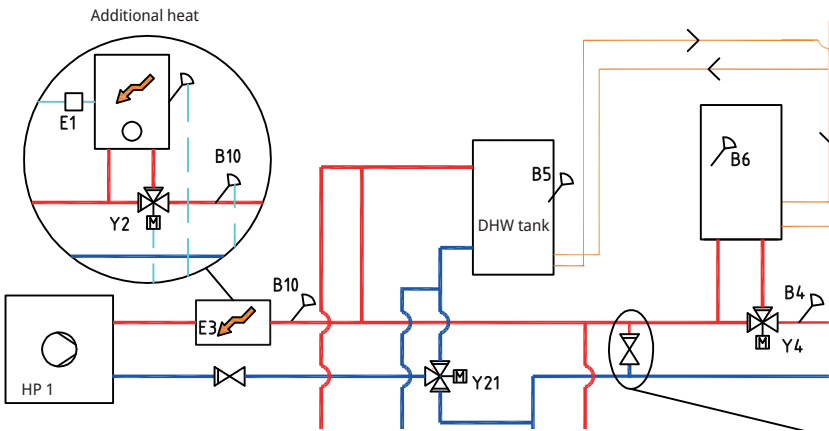
In System Type 2, the additional heat source (E1 or E3) is connected before the DHW tank, while in System Type 3 it is connected after the DHW system. Additional heat (E4) can then be connected directly to the tank instead.

When additional heat (E1) is connected, the mixing valve (Y2) is used to connect the additional heat to the system (not to heating circuit 2).

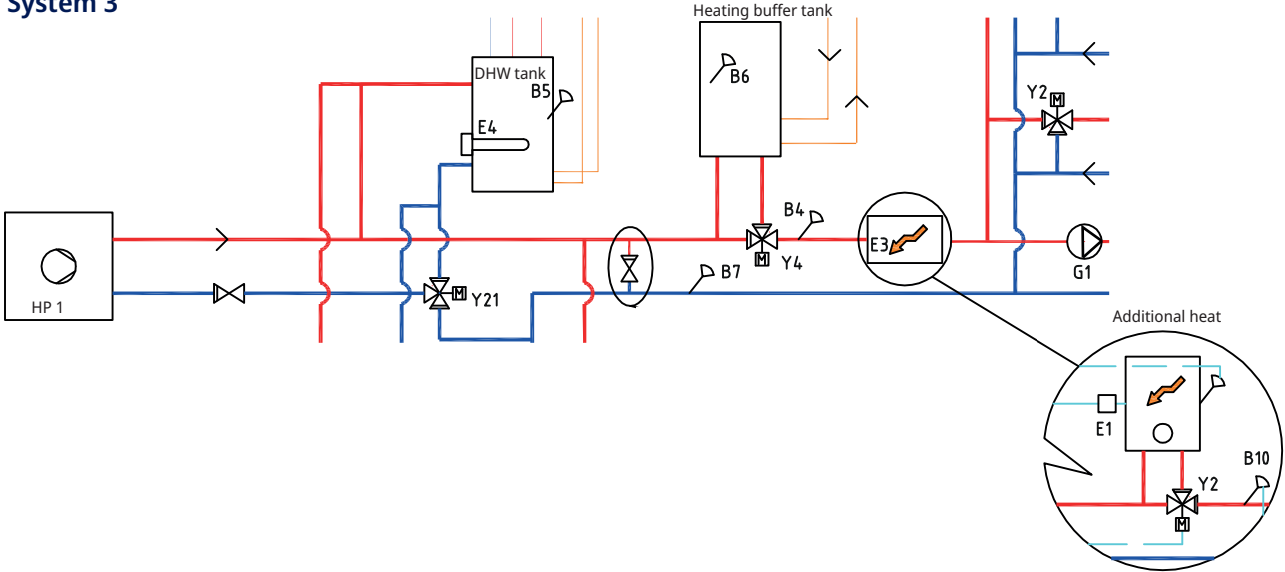
If the buffer tank is connected, the mixing valve (Y4) is used to connect the tank to the system (not to heating circuit 4). Sensor B6 should be installed in the buffer tank.

Sensor B10 should be connected to measure the temperature coming from the additional heat.

System 2

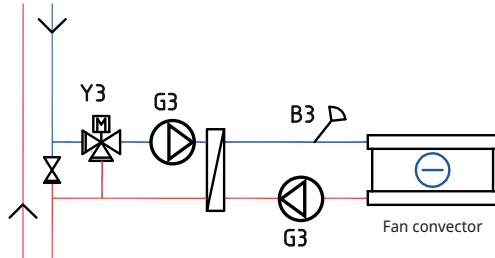


System 3

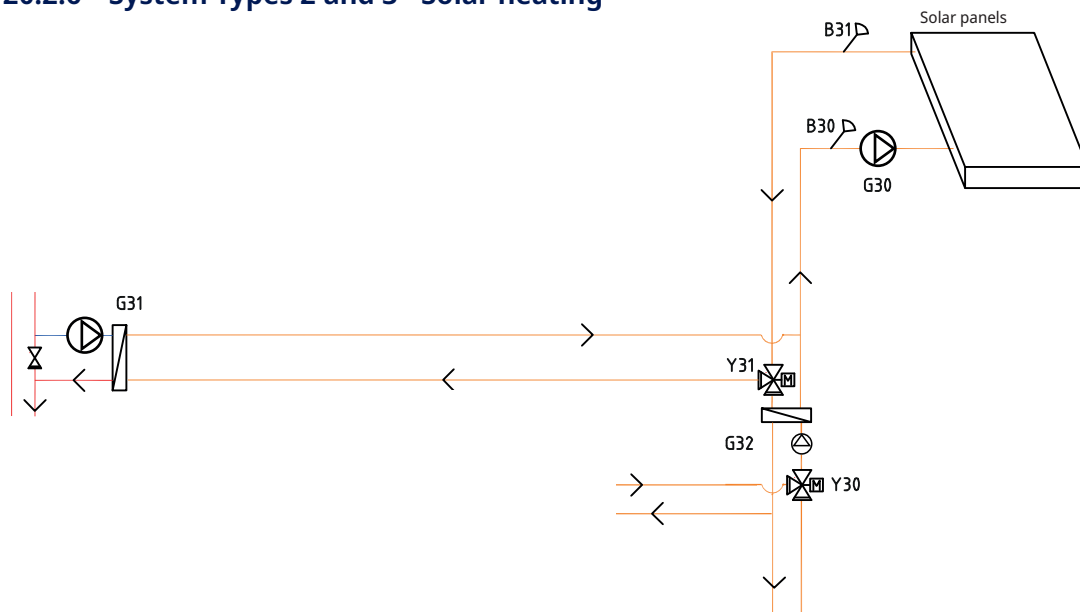


20.2.5 System Types 2 and 3 - Passive cooling

If the Cooling function is defined, mixing valve Y3, charge pump G3 and sensor B3 should be used for the cooling installation (not heating circuit 3). For details on how to connect, see the Installation and Maintenance instructions for the cooling installation.



20.2.6 System Types 2 and 3 - Solar heating



From the solar panels, the heat flow is directed to the DHW tank/buffer tank or to the ground heating coil in order to recharge the bedrock/ground once the DHW tank is fully charged.

The speed-controlled pump (G30) and sensors B31 and B30 are fitted next to the solar panels.

For recharging the bedrock/ground, a 3-way valve (Y31), heat exchanger and charge pump (G31) are connected.

The 3-way valve (Y30) is fitted together with the speed-controlled pump (G32) and heat exchanger in order to direct the flow towards the DHW tank or the buffer tank. Heat exchangers and pumps (G32) do not need to be installed to the solar heating circuit if there is already a loop in the connected DHW/heating tank.

When the recharging function is in operation, the system also starts the brine pump in the heat pump. The charge pump for recharging the borehole (G31) ensures there is sufficient flow through the heat exchanger.

20.3 System Types 4 and 5*

The configuration of systems 4 and 5 differ in terms of the location of the additional heat source. For a description of active cooling for system types 4 and 5, see the "Active cooling" chapter.

System Type 4

System 4 includes pool heating.

All heating from the heat pumps and additional heat goes to the heating circuit through the buffer tank, which maintains a constant temperature to the heating circuit.

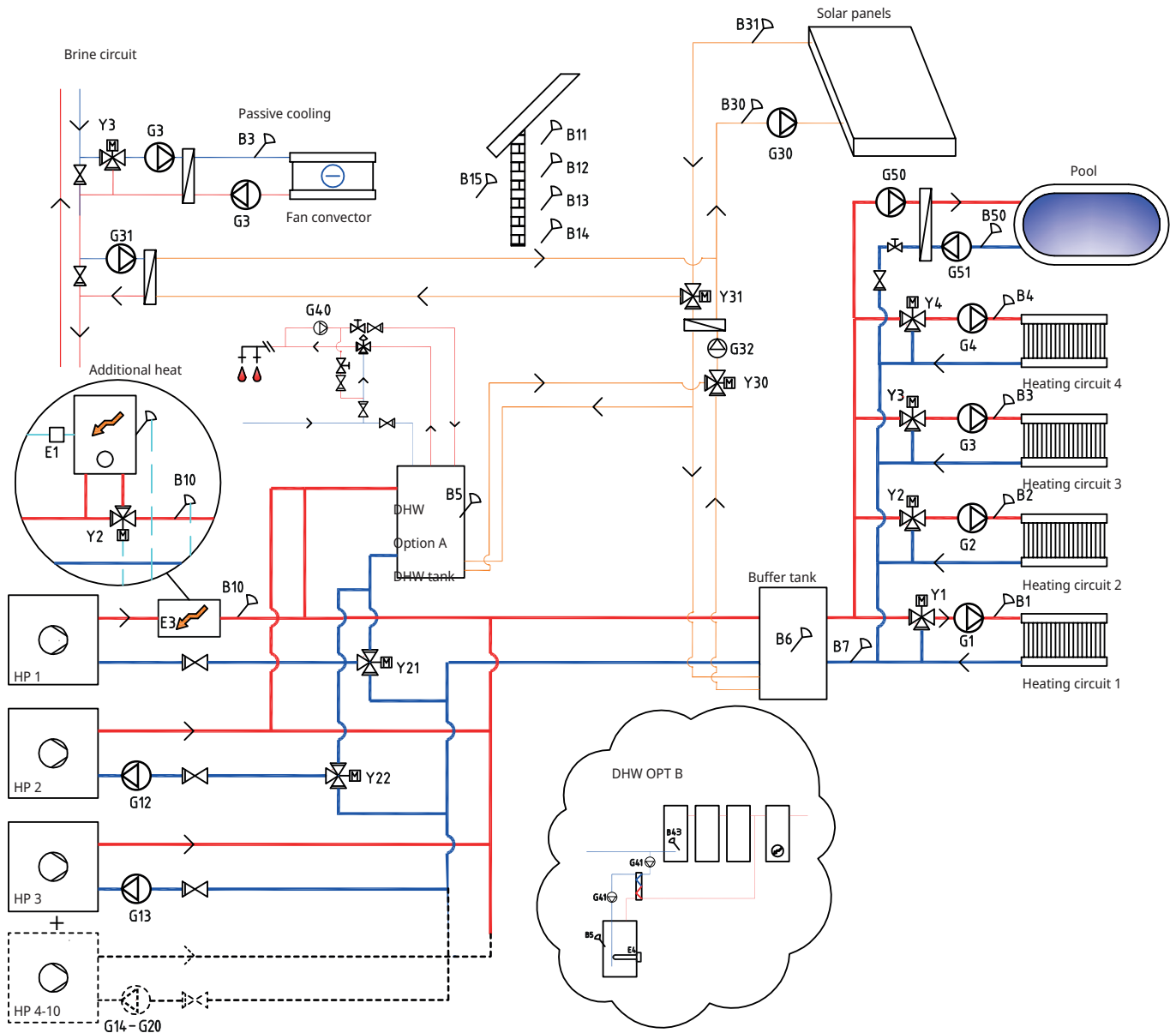
In System Type 4, the additional heat is located before the DHW system, while in System Type 5 it is located after the DHW system.

Heat pumps 1 and 2 can be connected using 3-way valves that direct the heat flow either to the DHW system or the heating circuit. The other heat pumps are connected to the heating circuit.

Solar heating can be connected either to the DHW tank or to a buffer tank using 3-way valves, or to a ground heating coil. Cooling can easily be connected to the bedrock/ground source heating circuit.

* System 4/5: CTC EcoPart i600M without the CTC Expansion accessory does not include the following subsystems and their associated pumps, valves and sensors:

- Heat pumps 3-10
- Heating circuits 3 and 4
- Cooling
- Recharging bedrock
- Solar energy
- DHW circulation (DHW CIRC)
- External DHW tank
- Pool



System Type 5

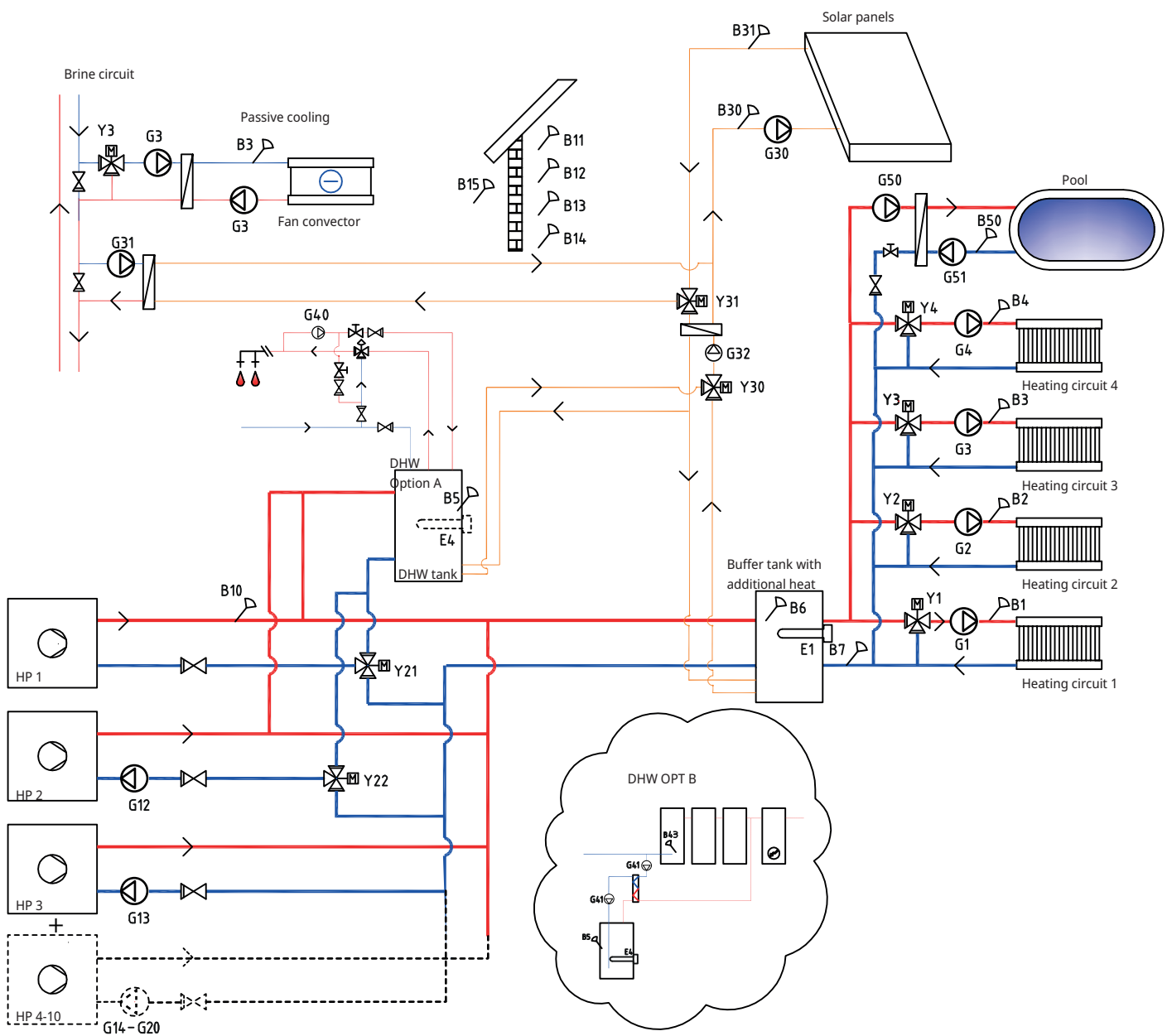
All heating from the heat pumps and additional heat goes to the heating circuit through the buffer tank, which maintains a constant temperature to the heating circuit.

In System Type 5, the additional heat is located after the DHW system, while in System Type 4 it is located before the DHW system.

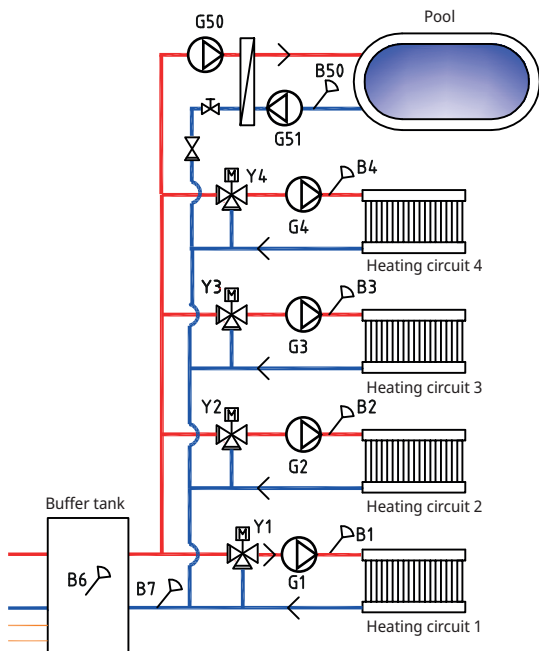
Heat pumps 1 and 2 can be connected using 3-way valves that direct the flow either to the DHW system or the heating circuit. The other heat pumps are connected to the heating circuit.

Solar heating can be connected either to the DHW tank or to a buffer tank using 3-way valves, or to a ground heating coil.

Cooling can easily be connected to the bedrock/ground source heating circuit.



20.3.1 System Types 4 and 5 - Heating circuit



CTC EcoPart i600M can be connected to four different heating circuits*, each with separate room sensors. Heating circuits 1 to 4 are connected via mixing valves (Y1, Y2, Y3 and Y4).

For System Type 4, if additional heat (E1) is defined, the mixing valve (Y2) should be used to connect additional heat to the system (not to heating circuit 2).

The outdoor sensor (B15) must be fitted to the outer wall of the house, protected from direct sunlight. It is connected using a 2-core cable (min 0.5 mm²).

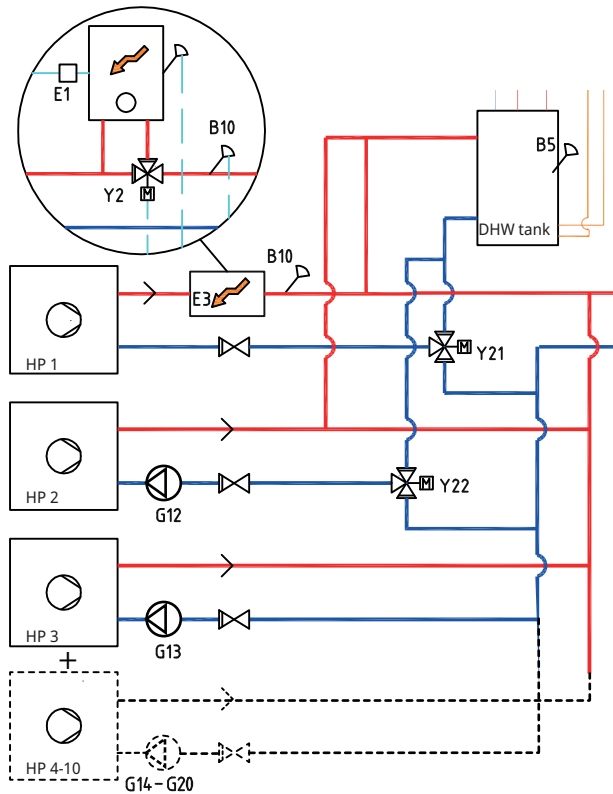
The room sensors (B11 to B14) must be fitted in an open space in the property where a representative temperature is expected. They are connected using a 3-core cable (min 0.5 mm²).

The primary flow sensors (B1 to B4) must be placed on the primary flow of the respective heating circuit.

The sensor (B7) is placed on the return flow from the heating circuit.

*Applies if the CTC Expansion accessory has been installed.

20.3.2 System Types 4 and 5 - Heat pumps



Up to 10 heat pumps (HP1 to HP10) can be fitted together with their respective charge pumps (G11 to G20). Charge pump G11 is factory fitted in HP1 (CTC EcoPart i600M)

Charge pump 2 (G12) is controlled from the CTC EcoPart i600M. To control the G13 and G14 charge pumps from the CTC EcoPart i600M, the CTC Expansion accessory is required.

Heat pumps 1 and 2 can be connected using 3-way valves that direct the flow either to the DHW system or the heating circuit. If more heat pumps are installed, these should be connected to the heating circuit. Be careful to ensure that the ports on the valves are installed correctly.

In system 4, the primary flow from heat pump 1 is connected to the additional heat as shown in the figure above.

The heat pumps are powered separately, not through CTC EcoPart i600M.

Refer to the heat pump's "Installation and Maintenance Manual" for more information.

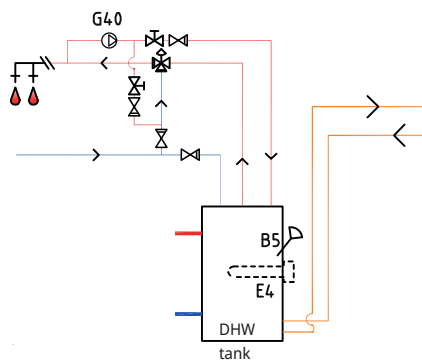
**Applies if the CTC Expansion accessory has been installed.*

20.3.3 System Types 4 and 5 - DHW

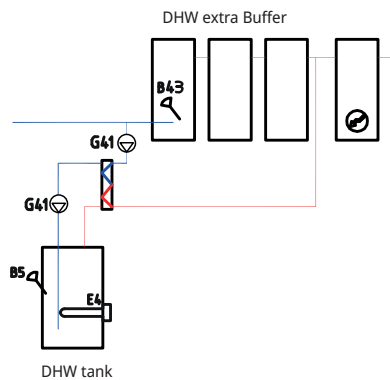
In System Type 5, the DHW tank can be equipped with an electric heater (E4) since additional heat (E1 or E3) has not been installed before the DHW tank (as in System Type 4). Sensor B5 should be installed in the DHW tank.

DHW circulation is obtained from the pump (G40). Fresh DHW from the DHW tank is mixed in by the mixing valve and chilled water released down into the tank before once more being heated up. The non-return valves are necessary to ensure that circulation proceeds as intended. Control valves allow the desired flow of the circuit to be adjusted.

Option A



Option B



Option B illustrates the possibility of installing (a) DHW tank(s) which is/are then connected via a heat exchanger to the lower DHW tank shown in the figure. This solution requires the installation of an external DHW tank sensor (B43) in the external buffer tank, as well as circulation pumps (G41) before and after the heat exchanger.

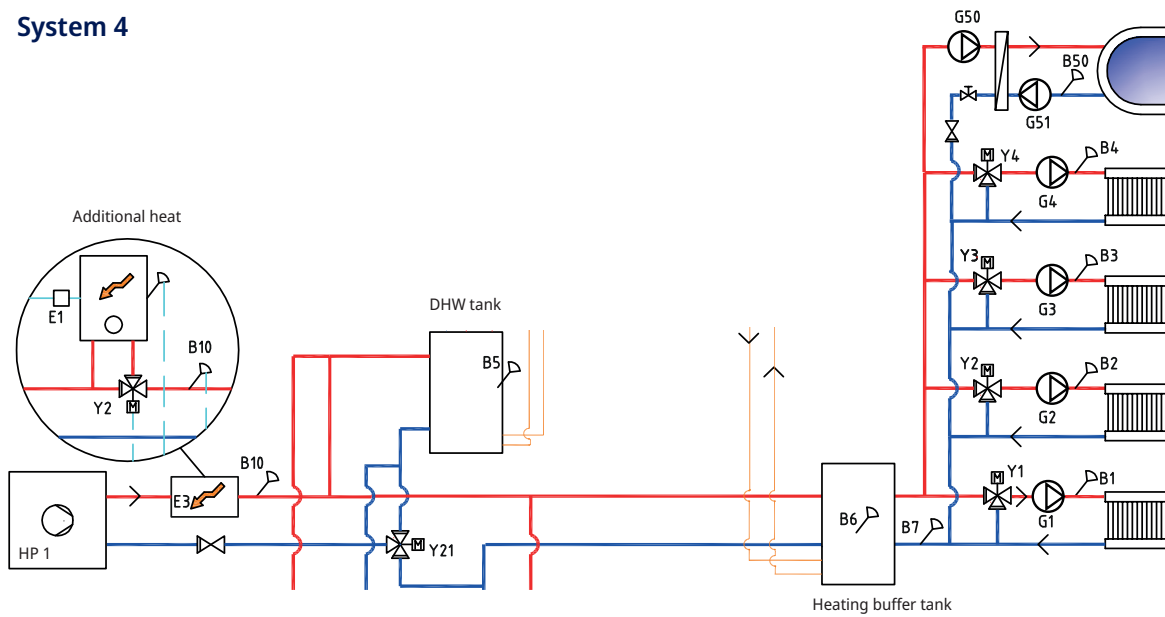
20.3.4 System Types 4 and 5 - Additional heat

In System Type 4, the additional heat source (E1 or E3) is connected before the DHW system as shown in the figure. When additional heat (E1) is connected, the mixing valve (Y2) is used to connect the additional heat to the system (not to heating circuit 2).

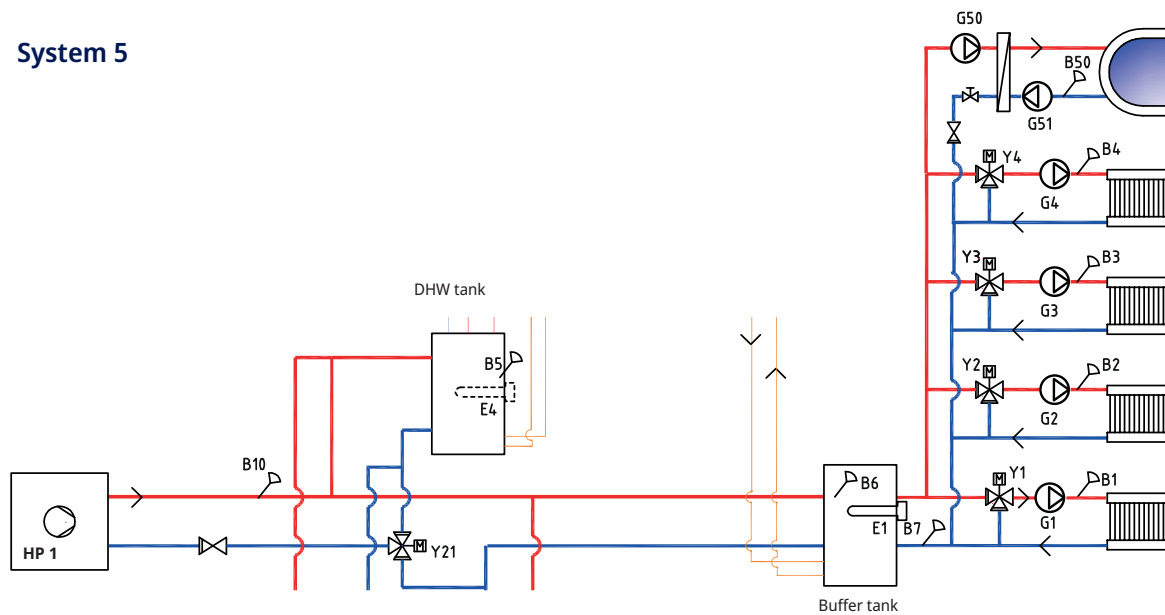
Sensor B10 should be connected to measure the temperature coming from the additional heat.

In System type 5, the tip heat (E1) is connected to the buffer tank. The DHW tank can then be provided with additional heat (E4).

System 4

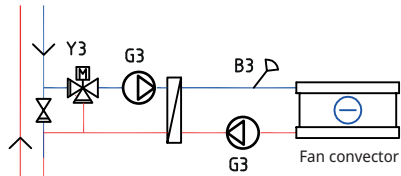


System 5



20.3.5 System Types 4 and 5 - Passive cooling

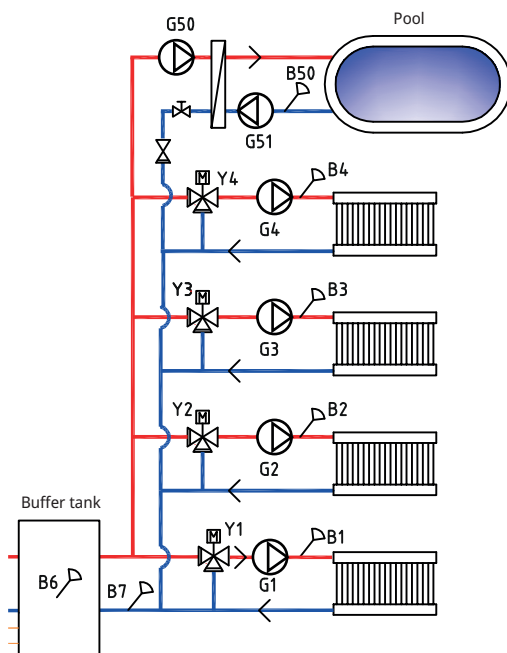
If the Cooling function is defined, mixing valve Y3, charge pump G3 and sensor B3 should be used for the cooling installation (not heating circuit 3). For details on how to connect, see the Installation and Maintenance Manual for the cooling installation.



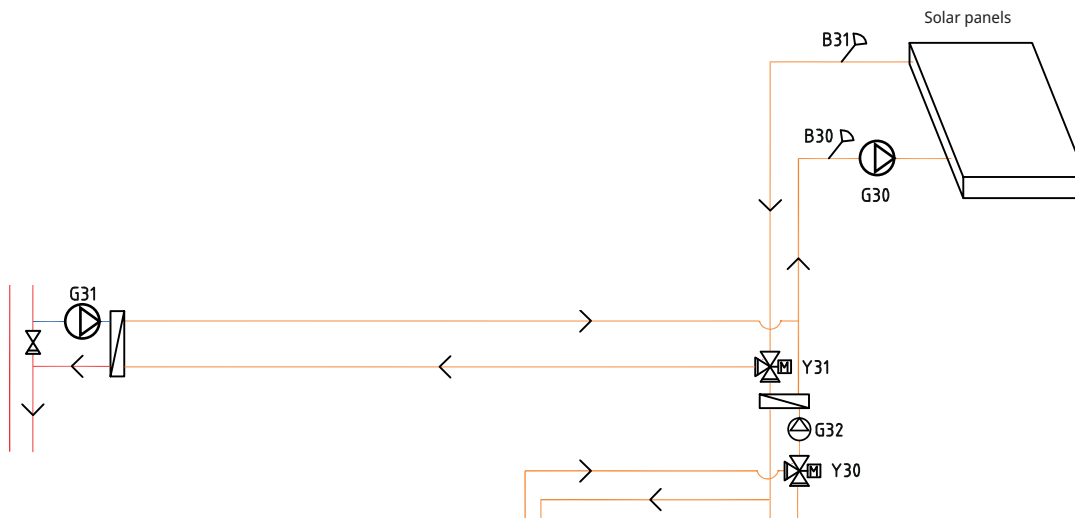
20.3.6 System Types 4 and 5 - Pool

The pool can be connected in parallel with the heating circuit.

Charge pump G50 and circulation pump G51 are connected together with sensor B50 and the heat exchanger.



20.3.7 System Types 4 and 5 - Solar heating



From the solar panels, the heat flow is directed to the DHW tank/buffer tank or to the ground heating coil in order to recharge the bedrock/ground once the DHW tank is fully charged.

The speed-controlled pump (G30) and sensors B31 and B30 are fitted next to the solar panels.

For recharging the bedrock/ground, a 3-way valve (Y31), heat exchanger and charge pump (G31) are connected.

The 3-way valve (Y30) is fitted together with the speed-controlled pump (G32) and heat exchanger in order to direct the flow towards the DHW tank or the buffer tank. Heat exchangers and pumps (G32) do not need to be installed to the solar heating circuit if there is already a loop in the connected DHW/heating tank.

When the recharging function is in operation, the system also starts the brine pump in the heat pump. The charge pump for recharging the borehole (G31) ensures there is sufficient flow through the heat exchanger.

20.4 System Type 6*

System 6 includes pool heating.

Additional heat can be mixed with heating from the buffer tank and output into the heating circuit by a bivalent mixing valve (Y1).

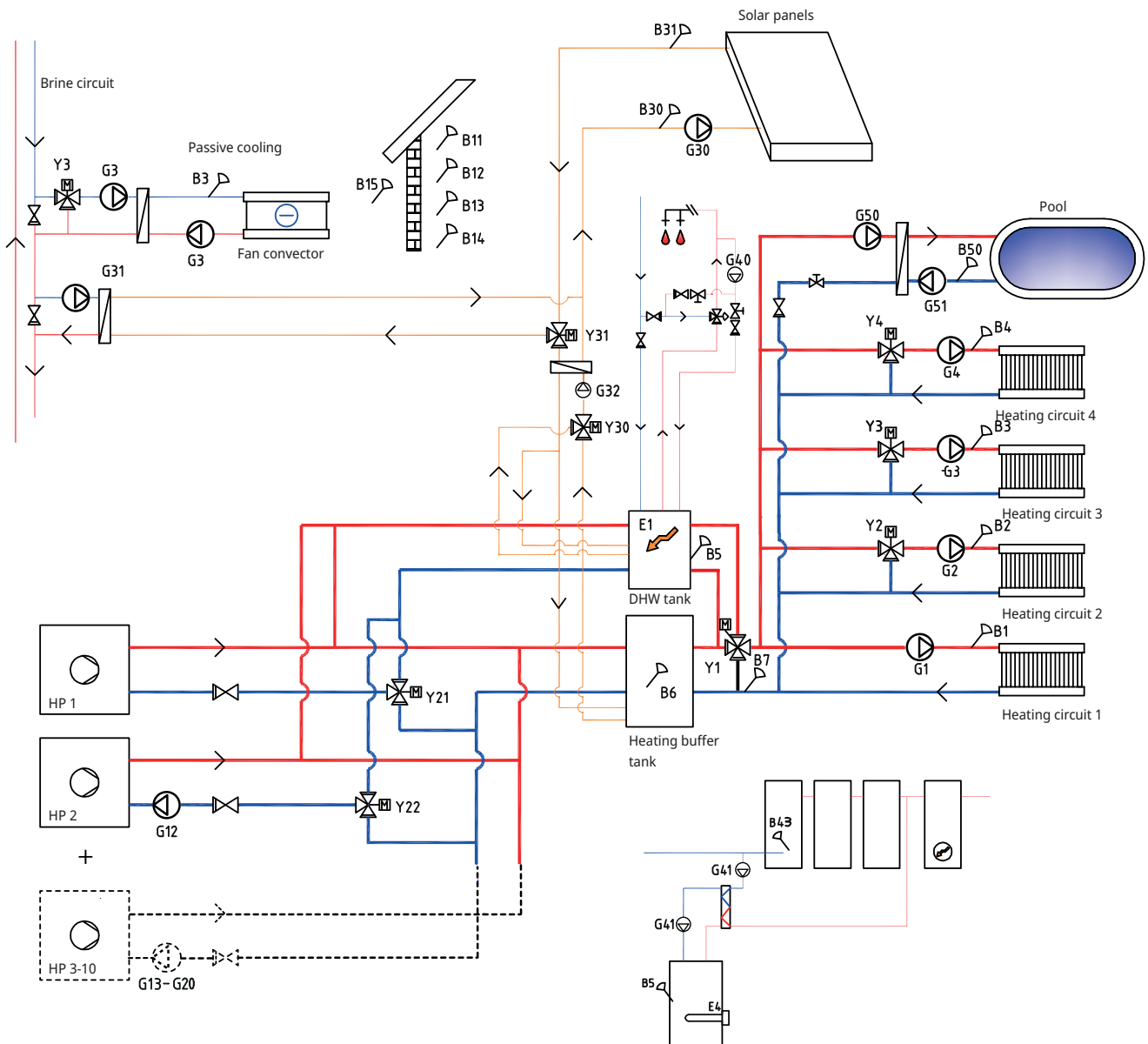
Heat pumps 1 and 2 can be connected using 3-way valves that direct the flow either to the DHW system or the heating circuit. The other heat pumps are connected to the heating circuit.

Solar heating can be connected either to the DHW tank or to a buffer tank using 3-way valves, or to a ground heating coil.

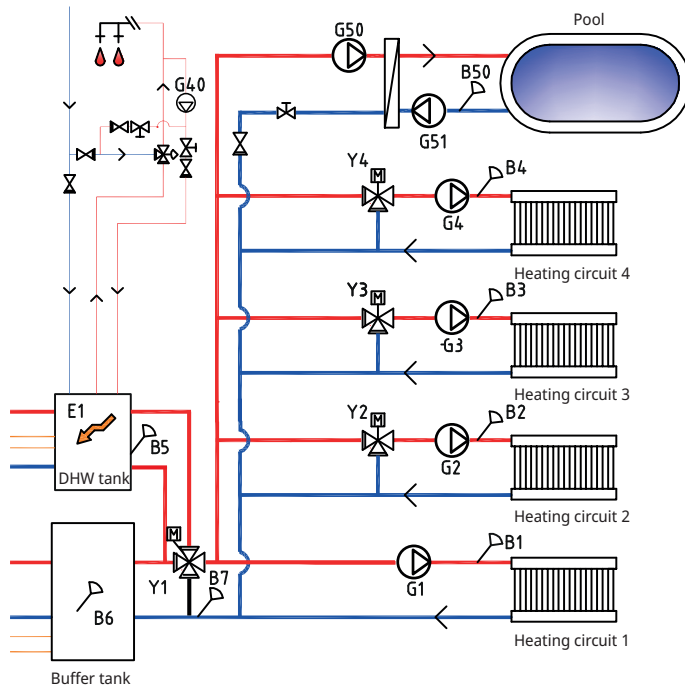
Cooling can easily be connected to the bedrock/ground source heating circuit.

* System 6: CTC EcoPart i600M without the CTC Expansion accessory does not include the following subsystems and their associated pumps, valves and sensors:

- Heat pumps 3 to 10
- Heating circuits 3 and 4
- Cooling
- Recharging bedrock
- Solar energy
- DHW circulation (DHW CIRC)
- External DHW tank
- Pool



20.4.1 System Type 6 - Heating circuit



CTC EcoPart i600M can be connected to four different heating circuits*, each with separate room sensors. Heating circuits 2, 3 and 4 are connected via mixing valves (Y2, Y3 and Y4).

The outdoor sensor (B15) must be fitted to the outer wall of the house, protected from direct sunlight. It is connected using a 2-core cable (min 0.5 mm²).

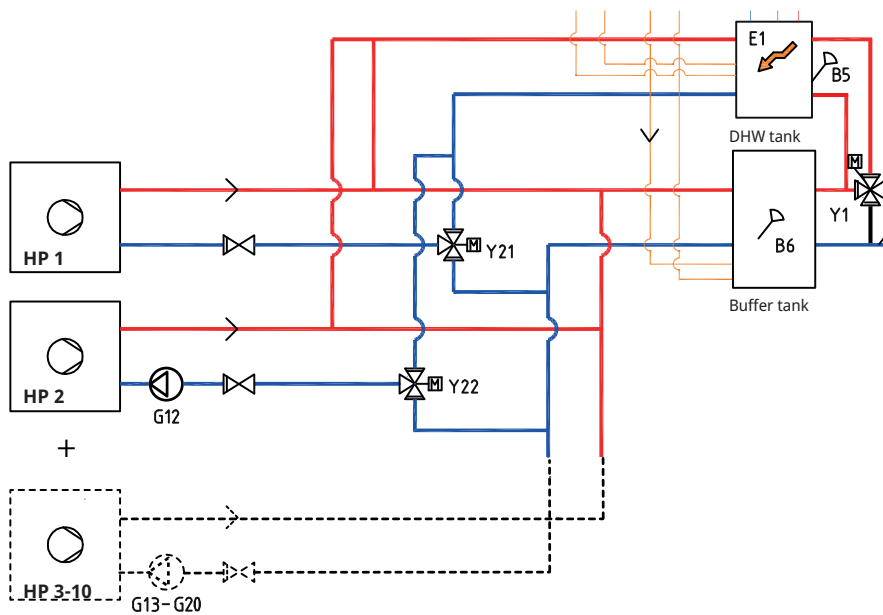
The room sensors (B11 to B14) must be fitted in an open space in the property where a representative temperature is expected. They are connected using a 3-core cable (min 0.5 mm²).

The primary flow sensors (B1 to B4) must be placed on the primary flow of the respective heating circuit.

The sensor (B7) is placed on the return flow from the heating circuit.

*Applies if the CTC Expansion accessory has been installed.

20.4.2 System Type 6 - Heat pumps



Up to 10 heat pumps (HP1 to HP10) can be fitted together with their respective charge pumps (G11 to G20). Charge pump G11 is factory fitted in HP1 (CTC EcoPart i600M)

Charge pump 2 (G12) is controlled from the CTC EcoPart i600M. To control the G13 and G14 charge pumps from the CTC EcoPart i600M, the CTC Expansion accessory is required.

Heat pumps 1 and 2 can be connected using 3-way valves that direct the flow either to the DHW system or the heating circuit. If more heat pumps are installed, these should be connected to the heating circuit. Be careful to ensure that the ports on the valves are installed correctly.

The heat pumps are powered separately, not through the CTC EcoPart i600M.

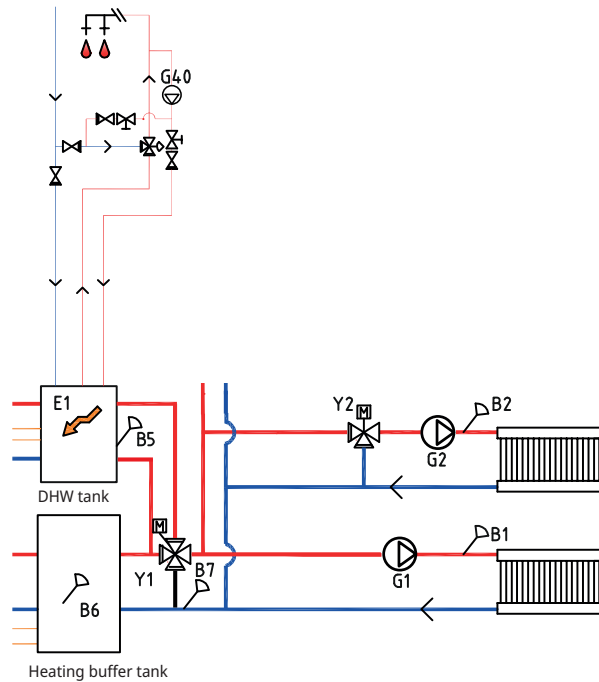
Refer to the heat pump's "Installation and Maintenance Manual" for more information.

20.4.3 System Type 6 - DHW

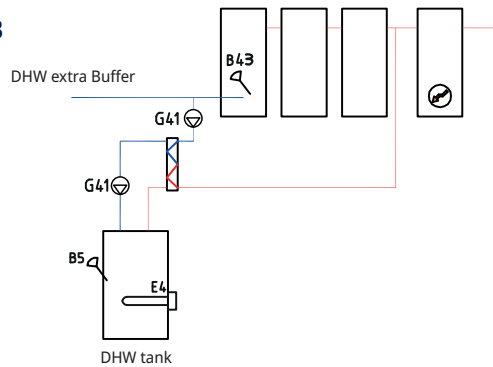
The DHW tank and additional heat E1 are connected to a 4-way bivalent mixing valve (Y1).

Sensor B5 should be installed in the DHW tank.

Option A



Option B

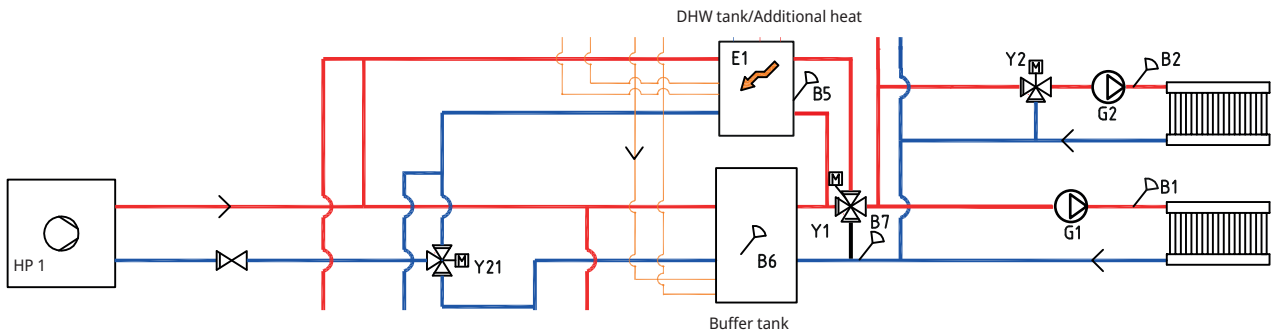


DHW circulation is obtained from the pump (G40). Fresh DHW from the DHW tank is mixed in by the mixing valve and chilled water released down into the tank before once more being heated up. The non-return valves are necessary to ensure that circulation proceeds as intended. Control valves allow the desired flow of the circuit to be adjusted.

Option B illustrates the possibility of installing one or more DHW tanks which are then connected via a heat exchanger to the lower DHW tank shown in the figure. This solution requires the installation of an external DHW tank sensor (B43) in the external buffer tank, as well as circulation pumps (G41) before and after the heat exchanger.

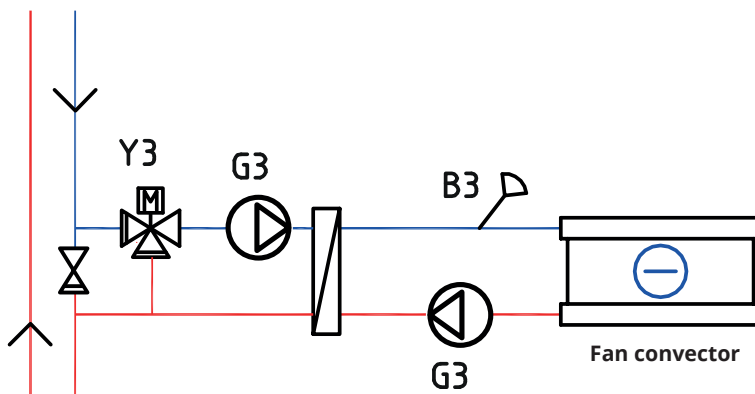
20.4.4 System Type 6 - Additional heat

Additional heat E1 is connected to the DHW tank and connected to the heating circuit in parallel with the buffer tank using a 4-way bivalent mixing valve.



20.4.5 System Type 6 - Passive cooling

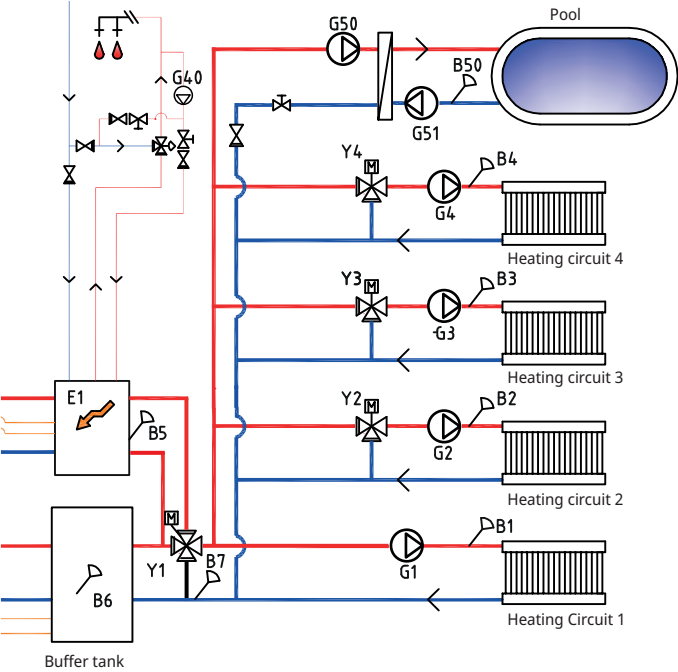
If the Cooling function is defined, mixing valve Y3, charge pump G3 and sensor B3 should be used for the cooling installation (not heating circuit 3). For details on how to connect, see the Installation and Maintenance Manual for the cooling installation.



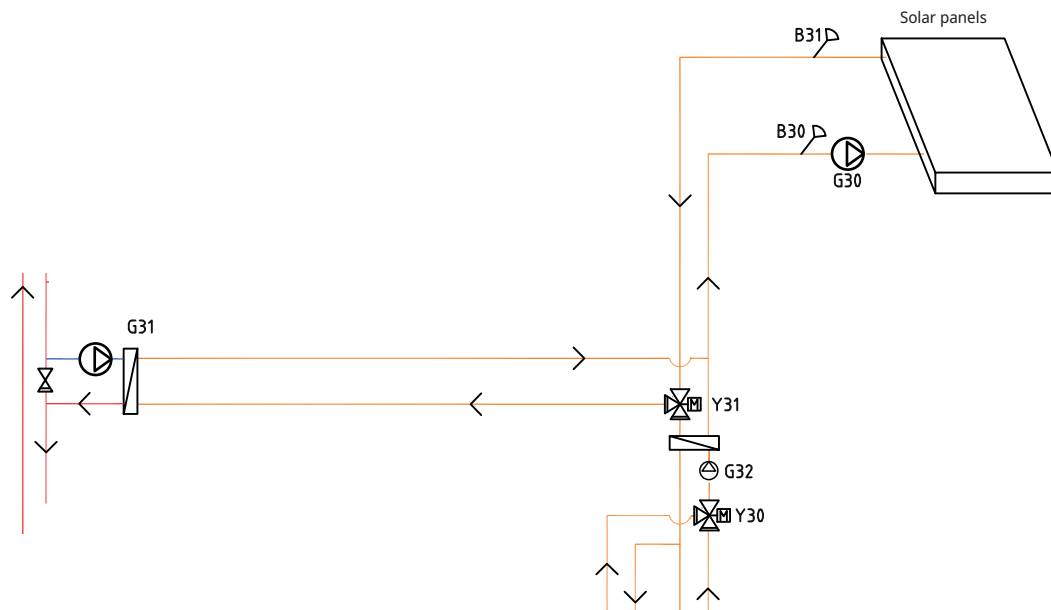
20.4.6 System Type 6 - Pool

The pool can be connected in parallel with the heating circuit as shown in the figure below.

Charge pump G50 and circulation pump G51 are connected together with sensor B50 and the heat exchanger.



20.4.7 System Type 6 - Solar heating



From the solar panels, the heat flow is directed to the DHW tank/buffer tank or to the ground heating coil in order to recharge the bedrock/ground once the DHW tank is fully charged.

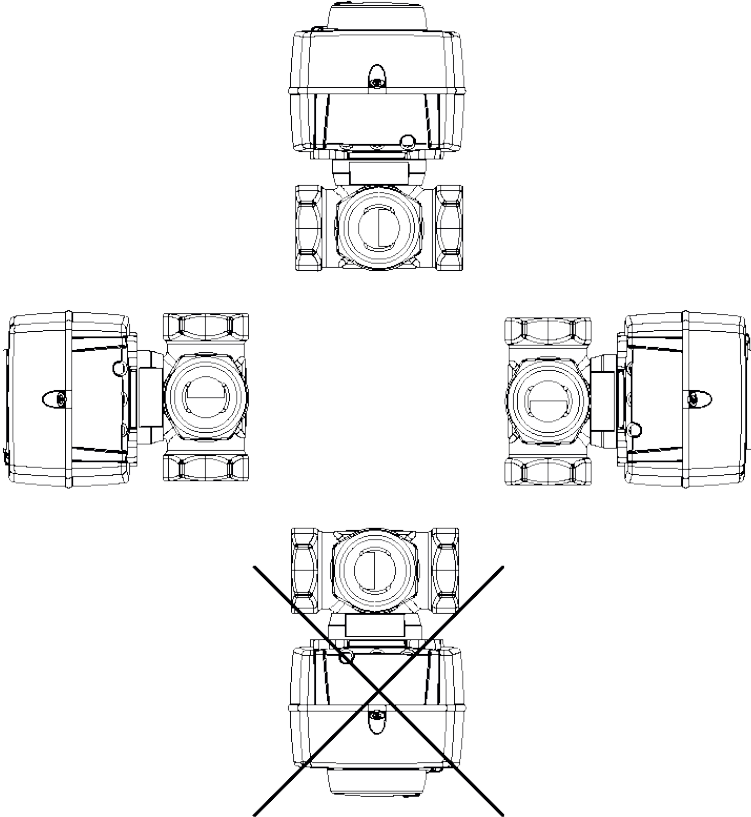
The speed-controlled pump (G30) and sensors B31 and B30 are fitted next to the solar panels.

For recharging the bedrock/ground, a 3-way valve (Y31), heat exchanger and charge pump (G31) are connected.

The 3-way valve (Y30) is fitted together with the speed-controlled pump (G32) and heat exchanger in order to direct the flow towards the DHW tank or the buffer tank. Heat exchangers and pumps (G32) do not need to be installed to the solar heating circuit if there is already a loop in the connected DHW/heating tank.

When the recharging function is in operation, CTC EcoPart i600M also starts the brine pump in the heat pump. The charge pump for recharging the borehole (G31) ensures there is sufficient flow through the heat exchanger.

21. Valves



21.1 Three-way mixing valve

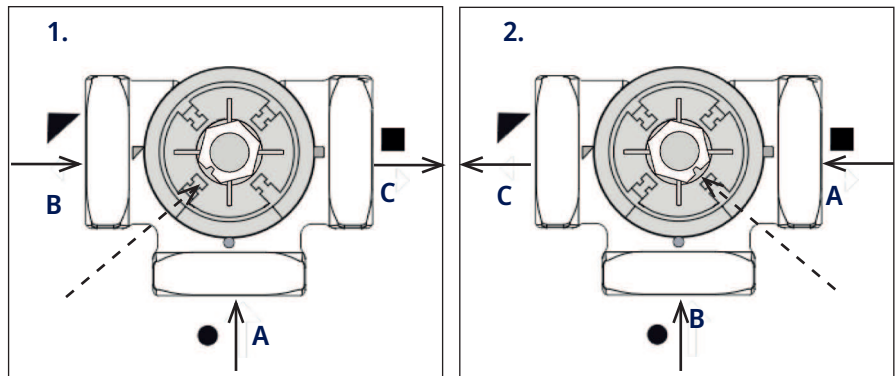
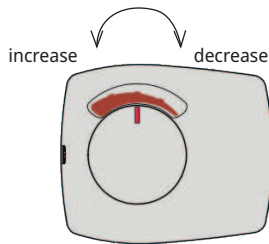
21.1.1 Three-way mixing valve VRG 131 ARA 671

Installation options with CTC's three-way mixing valves.

Note the importance of the connections and the positioning of the shaft coupling.

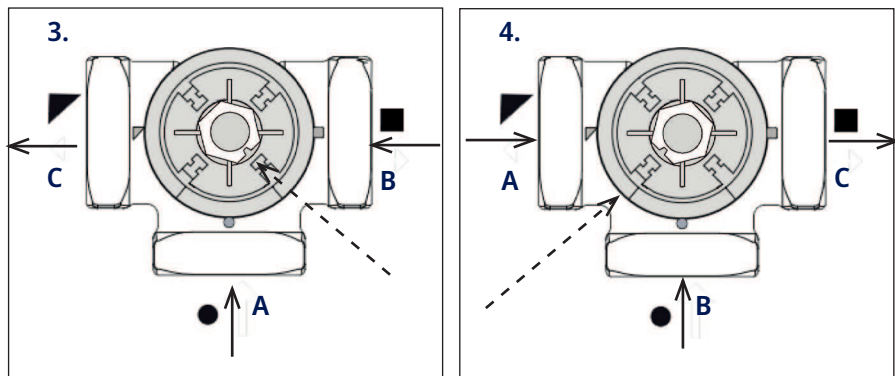
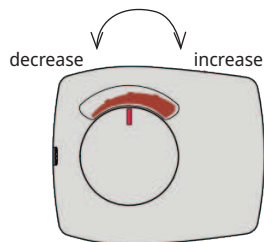
Connection as per 1 and 2

The motor must move in a clockwise direction to close.



Connection as per 3 and 4

The motor must move in an anticlockwise direction to close.



The mixing valve motor is mounted on the valve with the knob in the centre position.

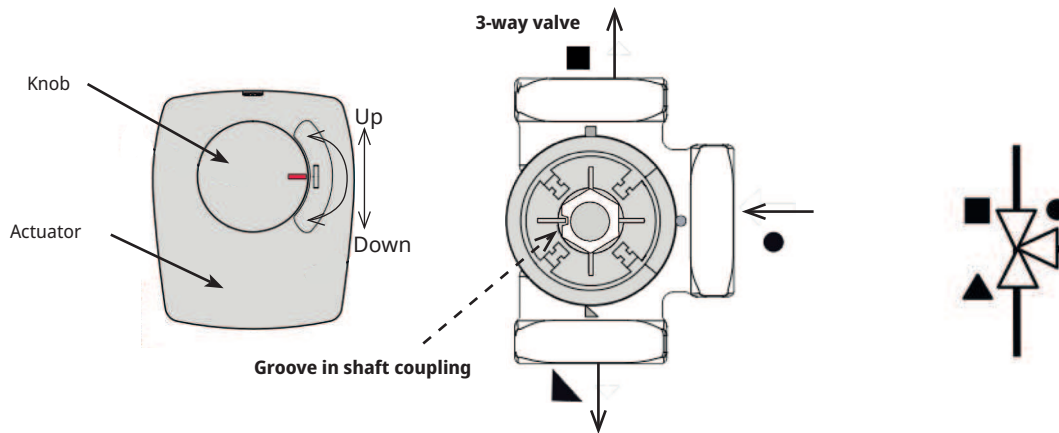
| | System 1 | Other connection methods |
|---|---|--------------------------|
| A | From the heat pump (also distributed to the boiler's return connection) | Return flow |
| B | Boiler water (from the boiler's primary flow) | From the energy source* |
| C | Radiator primary flow (to port AB on the diverting valve) | Primary flow |

* Energy source refers to the energy that the mixing valve utilises as an energy source, i.e. the energy that the valve mixes into the system.

Energy can come from an additional boiler, a wood boiler, a solar tank and/or the main pipe in the heating circuit.

21.2 3-way valves

21.2.1 Diverting valve ESBE VRG 230/Ara 635

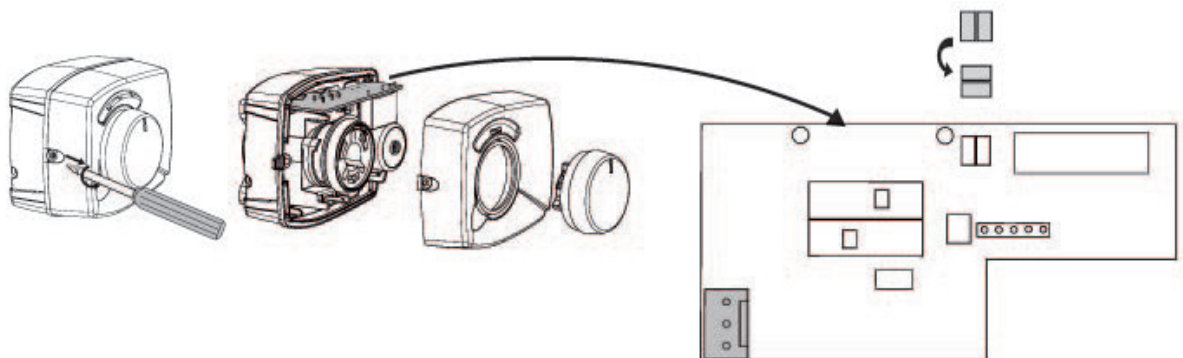


The mixing valve motor is mounted on the valve with the knob in the centre position.

The valve can be mounted inversely, right to left, left to right.

The direction of the motor can be changed using the loop under the actuator cap.

The loop is always connected towards the heat pump.

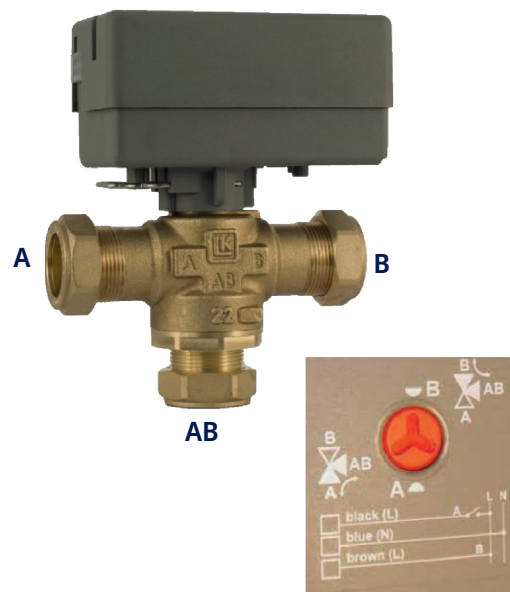


21.2.2 Diverting valve LK EMV 110-K

When the motor transfers power to the black wire, port A opens and port B closes.

Flow AB to A = hot water production and **Black** is powered.

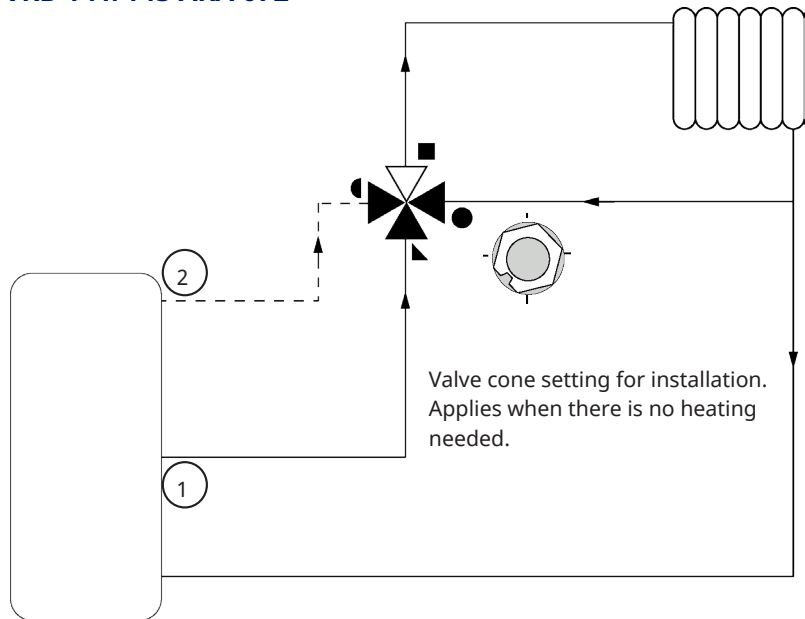
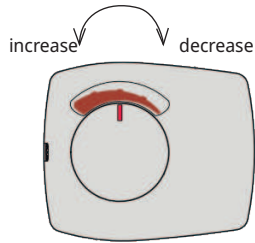
NB: The valve must be "turned round" in order to change direction. The valve must always be fitted so that the flow can move freely.



21.3 Bivalent mixing valve

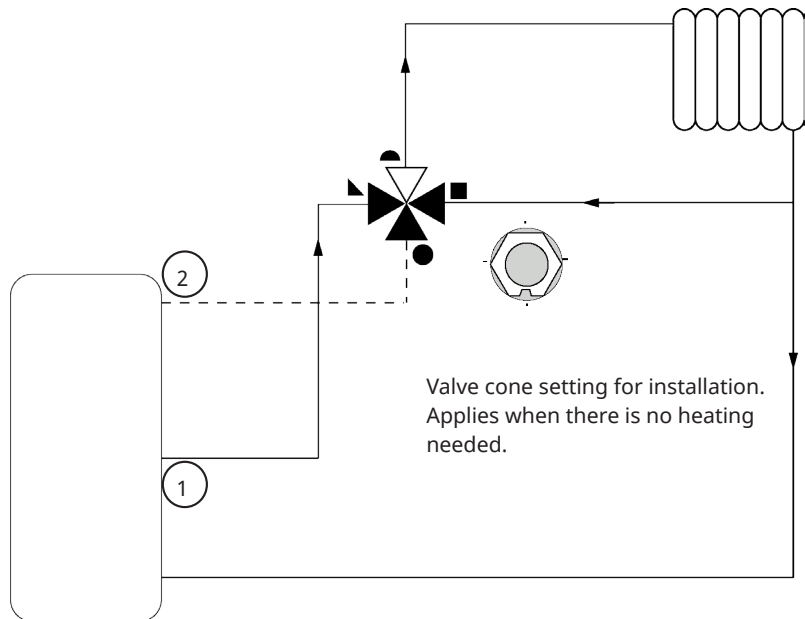
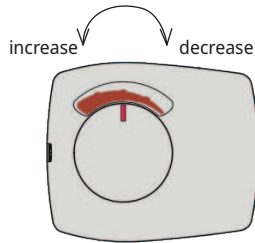
21.3.1 Bivalent mixing valve VRB 141/143 ARA 672

The motor must move in a clockwise direction to close.



21.3.2 Bivalent mixing valve VRB 243/ARA 672

The motor must move in a clockwise direction to close.



22. Electrical installation terminal blocks

Installation and connections in CTC EcoPart i600M must be performed by a licenced electrician.

Make sure there is no risk of static electricity; earth yourself by touching an earthed metal component before touching the PCB or a sensor.

All wiring shall be installed according to applicable local requirements.

22.1 High voltage

Supply, EcoPart i600M

400V 3N~

The minimum fuse (group fuse) is indicated by the "Rated current" in chapter "Technical data".

Omnipolar safety switch

The installation should be preceded by an omnipolar safety switch according to overvoltage category III, which ensures disconnection from all electric power sources.

22.1.1 Mixing valves (Y1, Y2, Y3, Y4)

230V 1N~

1.5 m cable, 1.5 mm², neutral, open, close.

The mixing valve motors are connected to the PCB/terminal block:

(Y1) Mixing valve 1

| | |
|----------|----------|
| Open: | pole A27 |
| Close: | pole A28 |
| Neutral: | pole A29 |

(Y2) Mixing valve 2

| | |
|----------|----------|
| Open: | pole A15 |
| Close: | pole A16 |
| Neutral: | pole A17 |

(Y3) Mixing valve 3, expansion card X6*

| | |
|----------|---------|
| Open: | pole 12 |
| Close: | pole 13 |
| Neutral: | pole 14 |

(Y4) Mixing valve 4, expansion card X7*

| | |
|----------|---------|
| Open: | pole 18 |
| Close: | pole 19 |
| Neutral: | pole 20 |

Check that the open and close signals are correctly connected by testing the motor in the "Installer/Service/Function Test" menu in the control system.

22.2 Communication between CTC EcoPart i600M and EcoAir / EcoPart

The communication cable used is an LiYCY (TP) which is a 4-core shielded cable, where the communication-bearing cores are of twisted pair type. This should be installed between the CTC EcoPart i600M terminal blocks G51 (Brown), G52 (White), G53 (Green) and the next heat pump in the series. All heat pumps are controlled from the display in the CTC EcoPart i600M

Voltage feed to heat pumps

The heat pumps are powered separately, not from CTC EcoPart i600M.

**Applies if the CTC Expansion accessory has been installed.*

22.2.1 3-way valves (Y21, Y22)

230V 1N~

2.5 m cable 1.5 mm²

When pole A18 or X7/24 is supplied with power, the flow should be to the DHW system. When they are not supplied with power, the flow should be to the heating circuit.

The 3-way valves are connected to the following terminal blocks:

(Y21) 3-way valve 1

| | |
|--------------|----------|
| Relay output | pole A18 |
| Phase | pole A19 |
| Neutral: | pole A20 |

(Y22) 3-way valve 2, expansion card X7

| | |
|--------------|---------|
| Relay output | pole 24 |
| Phase | pole 25 |
| Neutral: | pole 26 |

Check the function by test running the 3-way valve in the "Installer/Service/Function test" menu in the control system.

In the "DOWN" position on the function menu, port ▲ should be open (turn the knob on the motor clockwise, CW). In the "UP" position, port ■ should be open (turn the knob on the motor counterclockwise, CCW).

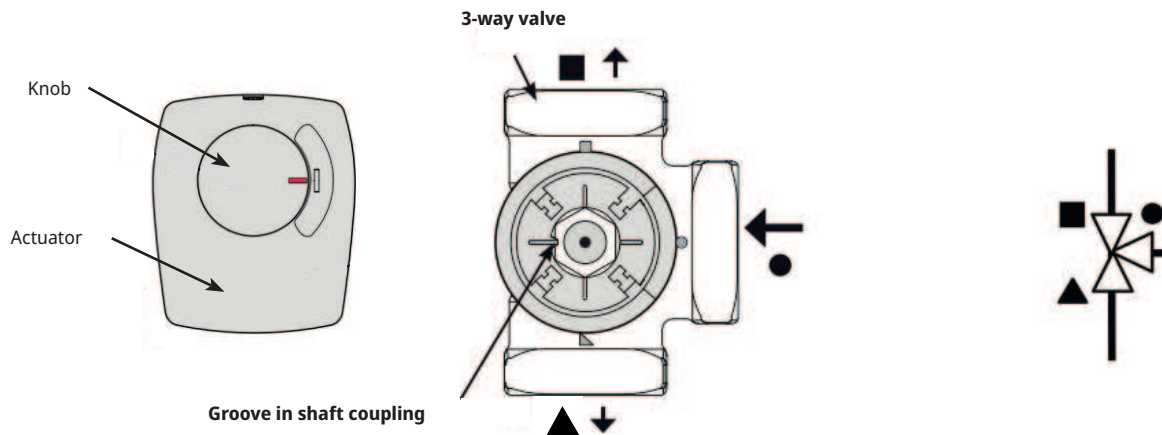
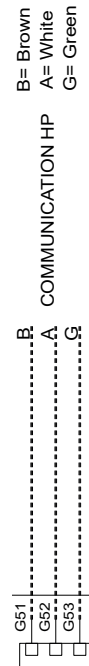
The motor is fitted to the 3-way valve by a screw. To unfasten the motor: remove the knob by pulling it off, unfasten the screw and remove the motor.

To prevent faults, turn the actuator and 3-way valve to the starting position for fitting as shown in the figures. Pull out the knob on the actuator and turn to the central position.

Port ● should be completely open; ports ■ and ▲ should be partially open. Ensure that the groove in the white shaft coupling is in position as shown in the figure. The 3-way valve and actuator can then be fitted together as shown in the figure, or turned in 90-degree steps relative to each other.

If ports ▲ and ■ have been shifted during the hydraulics connection, the motor can be reconnected to change its direction of rotation. This is done using two jumpers inside the motor.

NB: The direction of rotation cannot be changed by swapping the black and brown cables.



22.2.1.1 3-way valve active cooling (Y61)*

230V 1N~

The 3-way valve is connected to the following terminal blocks, expansion card X7: The valve is activated when heat pumps produce cooling, and is installed in systems with a separated heating/cooling tank.

| | |
|---------------|---------|
| Relay output: | pole 30 |
| Zero: | pole 32 |
| Phase: | pole 25 |

Check the function by test running the valve in menu "Installer/Service/Function test".

22.2.1.2 3-way valve active cooling requirements (Y62)*

230V 1N~

The 3-way valve is connected to the following terminal blocks, expansion card X6: The valve is activated when cooling is required, and is installed in systems with a separated heating/cooling tank to avoid heat loss to the heating tank.

| | |
|---------------|---------|
| Relay output: | pole 8 |
| Zero: | pole 11 |
| Phase: | pole 9 |

Check the function by test running the valve in menu "Installer/Service/Function test".

22.2.2 Radiator pumps (G1, G2, G3, G4)

230V 1N~

The radiator pumps are connected to the following terminal blocks:

(G1) Radiator pump 1

| | |
|----------|----------|
| Phase: | pole A31 |
| Neutral: | pole A33 |
| Earth: | pole PE |

(G2) Radiator pump 2

| | |
|----------|----------|
| Phase: | pole A36 |
| Neutral: | pole A34 |
| Earth: | pole PE |

(G3) Radiator pump 3, expansion card X6*

| | |
|----------|---------|
| Phase: | pole 15 |
| Neutral: | pole 17 |
| Earth: | pole 16 |

(G4) Radiator pump 4, expansion card X7*

| | |
|----------|---------|
| Phase: | pole 21 |
| Neutral: | pole 23 |
| Earth: | pole 22 |

Check that the pump is correctly connected by test running it in "Installer/Service/Function Test" menu in the control system.

**Applies if the CTC Expansion accessory has been installed.*

22.2.3 Charge pump, HP2 (G12)

230V 1N~

Charge pump 2 (G12) is controlled from the CTC EcoPart i600M. To control the G13 and G14 charge pumps from the CTC EcoPart i600M, the CTC Expansion accessory is required.

Charge pump 2 can be connected to the circuit board/terminal block:

(G12) Charge pump 2

WILO Stratos Para
GRUNDFOS UPM GEO 25-85

| | | |
|-------|-------|-----|
| PWM+: | brown | G48 |
| GND: | blue | G47 |

Check that the pump is correctly connected by test running it in "Installer/Service/Function Test" menu in the control system.



Check that the circulation pumps are correctly connected by test running them in the "Installer/Service/Function Test" menu in the control system.

22.2.4 Additional heat (E1, E3, E4)

The additional heat sources can be connected to the following terminal blocks:

(E1) Relay output

| | |
|---------------|----------|
| Relay output: | pole A11 |
|---------------|----------|

(E3) EcoMiniEI

| | |
|------------|-----|
| Comm. 230V | A30 |
|------------|-----|

NB: The CTC EcoPart i600M and EcoMiniEI must have a common connection to the neutral terminal.

(E4) Additional heat DHW

| | |
|---------------|----------|
| Relay output: | pole A13 |
|---------------|----------|

22.2.5 Circulation pump DHW (G40)*

230V 1N~

The circulation pump is connected to the following terminal blocks on Expansion card X6:

| | |
|----------|--------|
| Phase: | pole 1 |
| Neutral: | pole 3 |
| Earth: | pole 2 |

22.2.6 Pump external DHW tank (G41)*

230V 1N~

The pump is connected to the following terminal blocks: (G41) Charge pump, expansion card (X7):

| | |
|----------|---------|
| Phase: | pole 27 |
| Neutral: | pole 29 |
| Earth: | pole 28 |

**Applies if the CTC Expansion accessory has been installed.*

22.2.7 Solar pumps (G30, G32)*

The solar PWM pumps (G30 and G32) of model WILO Stratos PARA differ from the other PWM pumps. If the PWM control signal is interrupted, the solar pumps stop, whereas the other PWM pumps work at 100% power if the signal is interrupted.

22.2.7.1 Circulation pump solar panels (G30) - Wilo Stratos Para

230V 1N~

The circulation pump is connected to the following terminal blocks, expansion board X5:

Note the cable colours!

| | | |
|-------|-------|--------|
| PWM+: | white | pole 1 |
| GND: | brown | pole 2 |

Check the function by test running the pump in the "Installer/Service/Function Test" menu in the control system.



(G30) Circulation pump solar collector - Grundfos UPM3 Solar

230V 1N~

The circulation pump is connected to the following terminal blocks, expansion board X5:

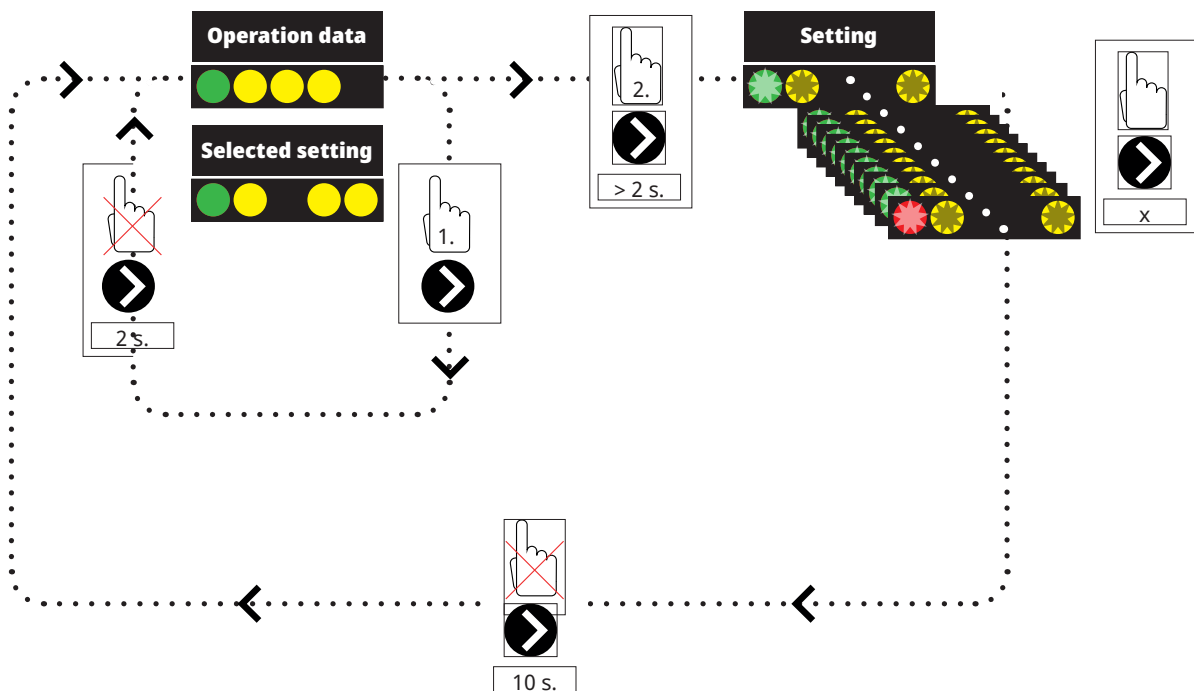
Note the cable colours!

| | | |
|-------|-------|--------|
| PWM+: | brown | pole 1 |
| GND: | blue | pole 2 |

Check the function by test running the pump in the "Installer/Service/Function Test" menu in the control system.



The pump must be set to PWM Cprofile (default)








*Applies if the CTC Expansion accessory has been installed.



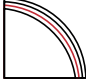













1. Briefly press the circulation pump arrow to show the operating mode to which the pump is set. After 2 seconds, the operational information screen will be displayed again.

2. Pressing the circulation pump arrow for 2 seconds will cause the LEDs to flash and the mode setting can then be changed. Press repeatedly until the desired mode flashes. After 10 seconds, the operational information screen will be displayed again.




Operation data:

| | |
|---|--------------------|
|  | Standby (flashing) |
|  | 0% - P1 - 25% |
|  | 25% - P2 - 50% |
|  | 50% - P3 - 75% |
|  | 75% - P4 - 100% |

Selecting the mode setting

| Control Mode | Mode | xx-75 | xx-105 | xx-145 | LEDs |
|----------------|---|-------|--------|--------|--|
| Constant Curve |  | 4.5 m | 4.5 m | 6.5 m |  |
| Constant Curve |  | 4.5 m | 5.5 m | 8.5 m |  |
| Constant Curve |  | 6.5 m | 8.5 m | 10.5 m |  |
| Constant Curve |  | 7.5 m | 10.5 m | 14.5 m |  |
| Control Mode | Mode | xx-75 | xx-105 | xx-145 | LEDs |
| PWM C Profile |  | | | |  |
| PWM C Profile |  | | | |  |
| PWM C Profile |  | | | |  |
| PWM C Profile |  | | | |  |

Alarm info:

| | |
|---|--------------------|
|  | Blocked |
|  | Supply voltage low |
|  | Electrical error |

22.2.7.2 Pump heat exchanger solar panels (G32) - Wilo Stratos Para

230V 1N~

The heat exchanger pump is connected to the following terminal blocks, expansion board X5:

Note the cable colours!

| | | |
|-------|-------|--------|
| PWM+: | white | pole 3 |
| GND: | brown | pole 4 |

Check the function by test running the pump in the "Installer/Service/Function Test" menu in the control system.



22.2.8 3-way valve solar DHW (Y30)*

230V 1N~

The 3-way valve is connected to the following terminal blocks, expansion card X6:

| | |
|------------------|--------|
| Control voltage: | pole 4 |
| Phase: | pole 5 |
| Neutral: | pole 7 |
| Earth: | pole 6 |

22.2.9 Solar recharging borehole (Y31/G31)*

22.2.9.1 3-way valve Solar (Y31)

230V 1N~

NB! It is important to connect the phase voltage to L (pole 9); refer to the wiring diagram.

The 3-way valve is connected to the following terminal blocks:
(Y31) 3-way valve, expansion card X6:

| | | | |
|-------------------|------------------|---------|---|
| Relay output 8 A: | Open to borehole | pole 8 | also controls Charge pump – recharging borehole (G31) |
| Phase: | Open Tank | pole 9 | |
| Neutral: | | pole 11 | |

Valve 582581001 (see image) must only be connected with relay output, X6 pole 8 and neutral, X6 pole 11.

Pole 8 is connected to an external connection box which distributes voltage to the solar 3-way valve (Y31) and the Recharge borehole charge pump (G31). Refer to the wiring diagram.

Check the function by test running the valve in the "Installer/Service/Function Test" menu in the control system.

582581001 22 3/4"



**Applies if the CTC Expansion accessory has been installed.*

22.2.9.2 Charge pump – recharging borehole (G31)*

230V 1N~

The charge pump is connected at the following terminal blocks:

(G31) Charge pump, expansion card (X6):

| | | |
|----------|---------|---|
| Phase: | pole 8 | also controls 3-way valve – solar (Y31) |
| Neutral: | pole 11 | |
| Earth: | pole 10 | |

Pole 8 is connected to an external connection box which distributes voltage to the solar 3-way valve (Y31) and the Recharge borehole charge pump (G31). Refer to the wiring diagram.

Check the function by test running the pump in menu "Installer/Service/Function test".

22.2.10 Pumps pool (G50 and G51)*

230V 1N~

Both pumps (G50) & (G51) are connected to the following terminal blocks:

Pumps pool (G50) and (G51), expansion card X7:

| | |
|----------|---------|
| Phase: | pole 33 |
| Neutral: | pole 35 |
| Earth: | pole 34 |

Pole 33 is connected to an external connection box which distributes voltage to the charge pump (G50) and circulation pump (G51).

Check the function by test running the pump in the "Installer/Service/Function Test" menu in the control system.

22.3 Protection – low voltage (sensor)

The sensors that form part of each system solution (schematic diagrams 1 to 6) should be fitted to the PCB/terminal block as follows: All sensors are temperature sensors. All sensors need to have 0.5 m of cable left in the product to enable the replacement of the flow heaters.

22.3.1 Room sensors (B11, B12, B13, B14)

Room sensor cable connection:

(B11) Room sensor 1


| | | |
|-----------|-----|--------------|
| block no. | G17 | alarm output |
| block no. | G18 | GND |
| block no. | G19 | input |

(B12) Room sensor 2

| | | |
|-----------|-----|--------------|
| block no. | G20 | alarm output |
| block no. | G21 | GND |
| block no. | G22 | input |

(B13) Room sensor 3, expansion card X4*

| | | |
|-----------|----|--------------|
| block no. | 19 | alarm output |
| block no. | 20 | input |
| block no. | 21 | GND |

 All sensors need to have 0.5 m of cable left in the product to enable the replacement of the flow heaters.

**Applies if the CTC Expansion accessory has been installed.*

(B14) Room sensor 4, expansion card X4*

| | | |
|-----------|----|--------------|
| block no. | 22 | alarm output |
| block no. | 23 | input |
| block no. | 24 | GND |

Room sensors should be installed at head height in open areas of the property with good air flow and where a representative temperature can be expected (not close to sources of heat or cold). Place sensors at head height. If you are unsure of where to place a sensor, hang it by a loose cable and test different positions.

Connection: 3-core cable, min 0.5 mm², between sensor and control box. The cables are connected as shown in the table above.

On start-up, an alarm is given if the sensor is incorrectly connected. Test the alarm sensor LED by testing the function in the "Installer/Service/Function Test" menu.

In the control system you can select whether or not to have the room sensor operational. If the room sensor is deselected, the heating level is controlled by the outdoor sensor/primary flow sensor. The alarm lamp on the room sensor still functions as normal. A room sensor does not, however, need to be installed if the function is deselected.

22.3.2 Outdoor sensor (B15)

The outdoor sensor should be fitted to the outer wall of the house, preferably in a north-northeastern or north-northwestern direction. The sensor should be placed out of direct sunlight. However, where this is difficult to achieve it can also be shielded from the sun by a screen. Remember that the sun rises and sets at different points at different times of the year.

The sensor should be placed about three-quarters of the way up the wall so that it senses the correct outdoor temperature and so that it is not affected by a heat source such as a window, infra-heating, air ventilation outlet, etc.

Connection: 2-core cable (min 0.5 mm²) between the sensor and control box. The sensor is connected to terminal blocks G11 and G12 of the control module. Connect to the outdoor sensor at the arrows.

NB:

- The sensor may be installed max. 30 m from the control unit.
- Strip the wire ends and fold them double if light cable is used. It is important that the contact in the connections is good.

**Applies if the CTC Expansion accessory has been installed.*

22.3.3 Primary flow sensor (B1, B2, B3*, B4*)

The sensors sense the outgoing temperature to the radiators. Secure the primary flow sensor to the pipe using straps or similar. Most important is the position of the tip of the sensor as this is the part that detects the temperature. The sensor must be insulated to prevent the ambient temperature from affecting the measurement. For optimum function, use contact paste.

(B1) Primary flow sensor 1

Position: on the primary flow to heating circuit 1.
The sensor is connected to the PCB in positions G13 and G14.

(B2) Primary flow sensor 2

Position: on the primary flow to heating circuit 2 after radiator pump G2.
The sensor is connected to the PCB in positions G15 and G16.

(B3) Primary flow sensor 3*

Position: on the primary flow to heating circuit 3 after radiator pump G3.
The sensor is connected to expansion card X3 in positions 13 and 14.

(B4) Primary flow sensor 4*

Position: on the primary flow to heating circuit 4 after radiator pump G4.
The sensor is connected to expansion card X2 in positions 7 and 8.

(B5) Sensor DHW

Position: in a sensor pipe or on the jacket surface in the DHW tank.
The sensor is connected to the PCB in positions G63 and G64.

(B43) Sensor external DHW tank

Position: in a sensor pipe or on the jacket surface in the buffer tank.
The sensor is connected to expansion card X2 in positions 9 and 10.

(B6) Sensor buffer tank

Position: in a sensor pipe or on the jacket surface in the buffer tank.
The sensor is connected to the PCB in positions G65 and G66.

(B7) Return sensor heating circuit

Position: on the return pipe from the heating circuit.
The sensor is connected to the PCB in positions G31 and G32.

(B8) Flue gas sensor

Position: in a sensor pipe or on the flue gas jacket surface on the wood boiler.
The sensor is connected to the PCB in positions G35 and G36.

(B9) Sensor, external boiler

Position: in a sensor pipe or on the jacket surface in the boiler.
The sensor is connected to the PCB in positions G61 and G62.

(B10) Sensor, external boiler out

Position: on the primary flow pipe of the boiler.
The sensor is connected to the PCB in positions G71 and G72.

(B30) In to solar panels*

Position: on the return pipe into the solar panels.
The sensor is connected to expansion card X1 in positions 3 and 4.

(B31) Out from solar panels*

Position: on the pipe out from the solar panels.
The sensor is connected to expansion card X1 at positions 1 and 2.

**Applies if the CTC Expansion accessory has been installed.*

(B50) Sensor, pool*

Position: on the return pipe between the pool pump and pool.
The sensor is connected to expansion card X3 in positions 15 and 16.

(B61) Sensor, Cooling *

Location: in the cooling tank.
The sensor is connected to expansion card X3 in positions 17 and 18.

(B73) Sensor, return cooling*

Location: on the return from heating circuit 1.
The sensor is connected to expansion card X3 in positions 11 and 12.

Settings to be carried out by the installation electrician

The following settings shall be made by the installation electrician after installation:

- Select main fuse size
- Select effect limitation
- Check room sensor connection.
- Check that the sensors connected indicate reasonable values.
- Carry out the checks below.

Check room sensor connection

1. Scroll down and select the LED Room Sensor option in the "Installer/Service/Function Test/Heating Circuit" menu.
2. Select "On". Check that the room sensor LED lights up. If not, check the cables and connection.
3. Select "Off". If the LED goes off, the check is complete.

Checking connected sensors

If any sensor is incorrectly connected, a message will appear on the display, e.g. "Alarm sensor out". If multiple sensors are incorrectly connected, the different alarms are displayed on different rows. If no alarm is displayed, the sensors are connected correctly. Note the alarm function of the room sensor (LED) cannot be detected on the display. It must be checked on the room sensor.

22.3.4 Pressure/level switch

In some cases, extra protection is required due to local requirements or provisions. For example, the requirement in some areas is for the system to be installed within a water catchment area.

The pressure/level switch connects to K22/K23/K24/K25 and is then defined under the "Installer/Define/Def. Heat Pump" menu. If there is a leak, the compressor and brine pump stop and the Flow/level switch alarm appears on the display.

**Applies if the CTC Expansion accessory has been installed.*

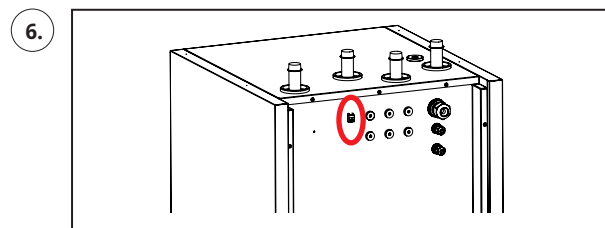
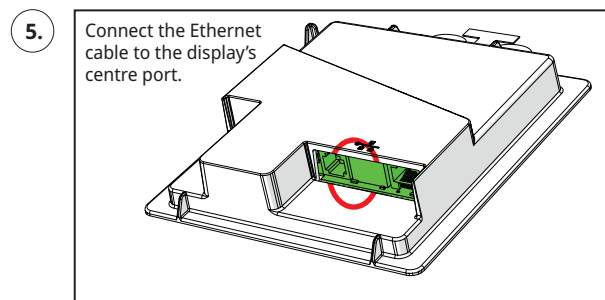
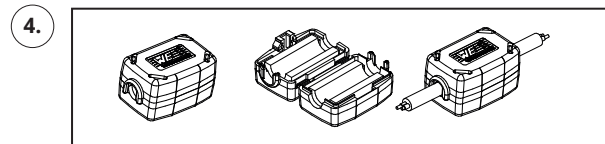
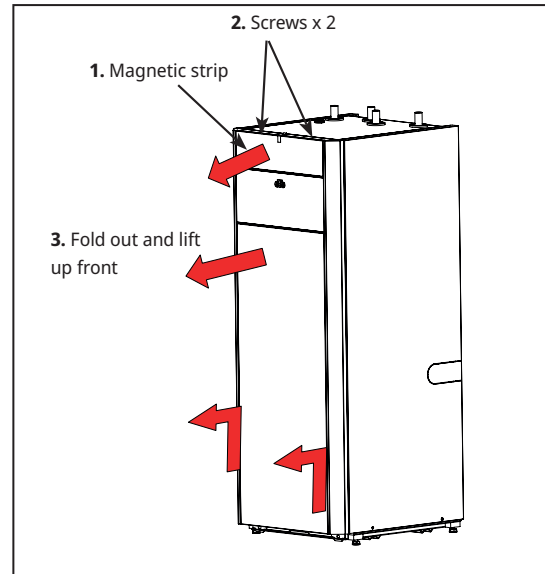
22.4 Install Ethernet cable

To be able to define and activate a connection to a network and an app, an Ethernet cable needs to be installed.

To be able to install the Ethernet cable, the front needs to be removed.


1. Remove the magnetic strip that is secured with magnets. In the event of problems, use a small screwdriver in the groove in the upper edge.
2. Loosen the two screws on top.
3. Fold out, lift up and set the front to the side.
4. Open the ferrite from the packaging, clamp around the Ethernet cable with the connector.
5. Connect the Ethernet cable to the display.
6. Connect the other end of the Ethernet cable to the RJ45 joint in the rear panel.
7. Connect your own Ethernet cable from the joint to the network port or router.

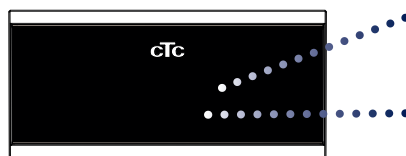
To permit and define connectivity, refer to the "Communication" section in the "Installer/Define" chapter.





22.5 Remote - Screen Mirroring

- Connect the ethernet cable, see previous page.
- Installer/Define/Communication/Web – Yes. Permits the product to connect with unencrypted web traffic on local area networks. Internet router and firewall required.
- Installer/i – Scan the QR code with a tablet or smartphone. 
- Save as favourite/icon on phone/tablet/computer. When your phone/tablet is connected to your local network, the product can be used with your device's touchscreen in the same way as the product's screen.
- In the app: scan QR code or enter address "http://ctcXXXX/main.htm". (XXXX = the last four digits of the display serial number, for example S/N 888800000040 = "http://ctc0040/main.htm"). In case of problems: click the link to update to the device's current IP no.



Tablet/Smartphone/PC as a touchscreen for local area network "Installer/Define/Communication/Web" – "Yes".

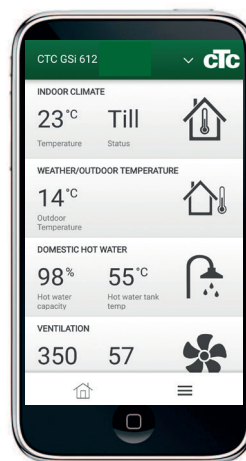


22.6 myUplink - App

Define myUplink. See "Installer/Define/Communication/myUplink – Yes".

Installing the app.

- Download myUplink from the AppStore or Google Play.
- Create an account.
- Follow the instructions in the app's Help feature.



www.ctc.se, www.ctc-heating.com
+46 372 88 000
Fax: +46 372 86 155
P.O Box 309 SE-341 26 Ljungby Sweden



MADE IN SWEDEN