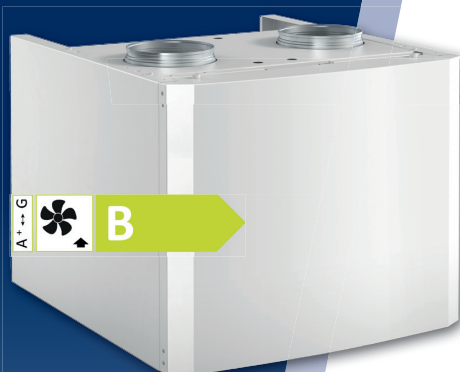


CTC EcoVent

Exhaust Air Ventilation, models 20 and 25



CTC EcoVent is an exhaust air unit designed to be placed atop CTC's indoor modules and heat pumps.

CTC EcoVent is the perfect complement to CTC's indoor modules and heat pumps, and allows for neat and simple installation in buildings with mechanical exhaust air ventilation when converting to a ground source heating system, traditional boiler, or air-to-water heat pump.

CTC EcoVent has an exhaust air fan in sound-insulated housing, which is in the same colour and design as CTC's indoor modules and heat pumps. The fan runs continuously and creates vacuum pressure in the building, which means the used air is vented out and new, fresh air is supplied throughout the building by the building's own air supply diffuser.

The front is easy to open when, for example, you want to replace the filter. CTC EcoVent is designed to be placed atop CTC's indoor modules and heat pumps, but can also be installed free-standing on an adjacent shelf.

Benefits

- Provides an optimal indoor climate
- A ventilation solution for buildings with mechanical exhaust air ventilation when converting to a heat pump or boiler
- Simple and neat installation
- For installation atop indoor modules/heatpumps or freestanding on a shelf
- Low noise level
- Can be controlled from a smartphone with CTC SmartControl

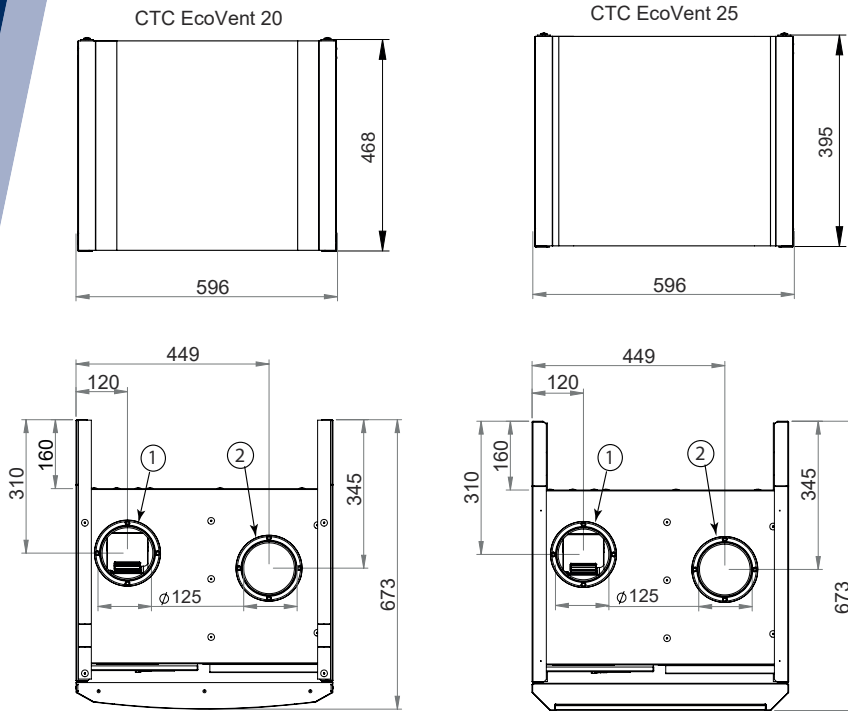


ENERGY FLEX

Find a CTC distributor in your country

www.ctc-heating.com

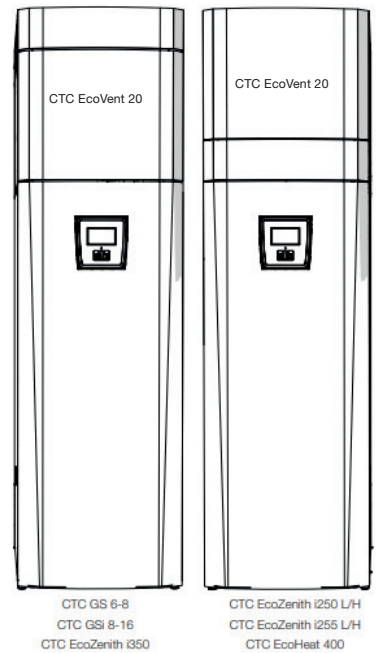
Dimensions diagram



1 Extract air
- from the unit

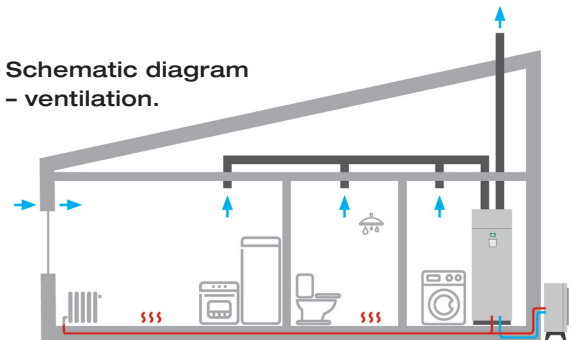
2 Exhaust air
- from the house

Accessories:
Filter Kit
CTC no.: 588260301
RSK no.: 6212438



Compatible control units:	20	25
CTC GSi 8-16	x	
CTC GSi 608-616		x
CTC GS 6-8	x	
CTC GS 606-608		x
CTC EcoHeat 400	x	
CTC EcoPart 400 Pro	x	
CTC EcoZenith i250	x	
CTC EcoZenith i255	x	
CTC EcoZenith i350	x	
CTC EcoZenith i360		x
CTC EcoZenith i550 Pro	x	x
CTC EcoZenith i555 Pro	x	x
CTC EcoLogic L/M	x	x

Schematic diagram
- ventilation.



Technical data		20	25
RSK no.		6212368	6212577
CTC no.		588000001	589701001
Weight (packaged weight)	kg	22 (22.5)	22 (22.5)
Dimensions (width x depth x height)	mm	673 x 596 x 472	673 x 596 x 395
Electrical Data, connection		200-240V 1N~ 50/60Hz	200-240V 1N~ 50/60Hz
Enclosure class (IP)		IP X1	IP X1
Ventilation			
Specific energy consumption class (EU) No. 1254/ Appendix II		B	B
Specific energy consumption (SEC) cold/moderate/warm climate	kWh/m ² /year	-54.4/ -27.4/ -11.9	-54.4/ -27.4/ -11.9
Airflow – ventilation (min/reference/max)	l/s	28/ 56/ 80	28/ 56/ 80
Maximum flow	l/s (m ³ /h)	80 (288)	80 (288)
Reference flow (SEK), (EU) no. 1254	l/s (m ³ /s)	56 (0.056)	56 (0.056)
Sound power max. flow (L _{WA})	dB(A)	42	42
Sound power reference flow (L _{WA})	dB(A)	35	35
Filter class EN 779		G4	G4
Max/min building size (vid 0.35 l/s m ²)	m ²	228/80	228/80

Ecodesign data sheets can be downloaded from: www.ctc-heating.com/Ecodesign
Ecodesign data scale: A* to G

